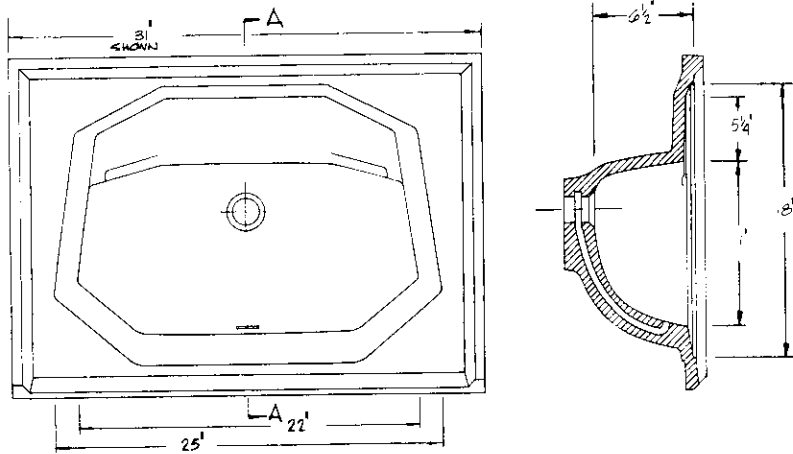


ISSUED BY GRUBER SYSTEMS INC. 25636 AVE. STANFORD, VALENCIA, CA 91355
GRUBER SYSTEMS RESERVES THE RIGHT TO CHANGE THIS INFORMATION AT ANY TIME WITHOUT PRIOR NOTICE



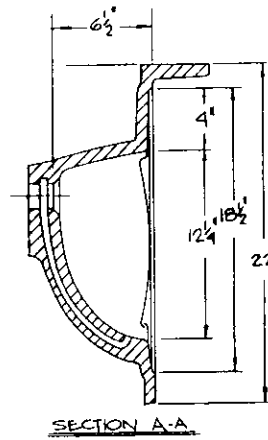
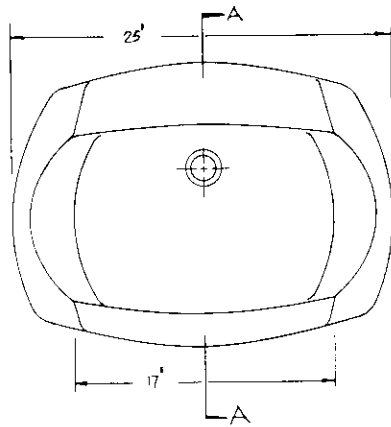
FOR ILLUSTRATIVE PURPOSES, THIS FLOATER BOWL IS INTEGRAL WITH A GRUBER LOW BACKSLASH DECK.

	CATALOG No.	DESCRIPTION	LIST PRICE	
MALE	20001	108-AA TOPAZ		CAST WEIGHT SCALE 1" = 1'0" DATE 4-23-92 REF. B-PD-B40
FEMALE	400017	FFF-AA		
INSERT				
NAME	TOPAZ FLOATING BOWL - INTEGRAL		©1992	

25636 AVE. STANFORD, VALENCIA, CA 91355

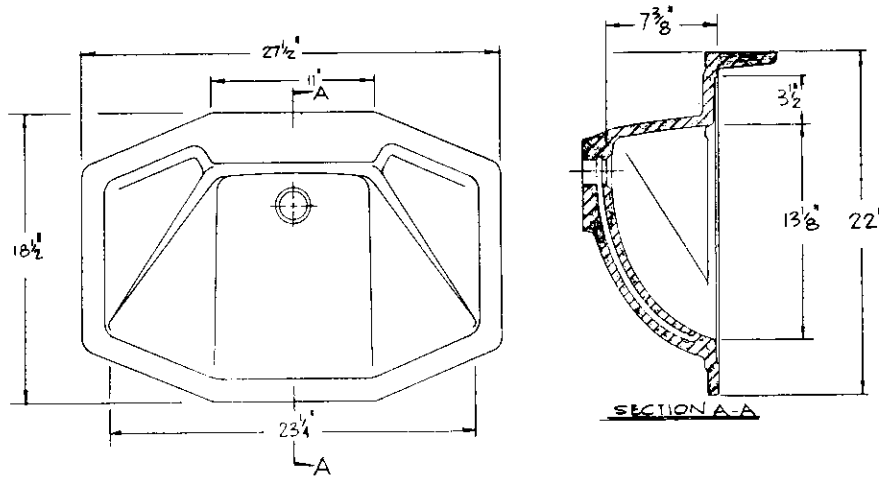
ISSUED BY GRUBER SYSTEMS INC.

GRUBER SYSTEMS RESERVES THE RIGHT TO CHANGE THIS INFORMATION AT ANY TIME WITHOUT PRIOR NOTICE



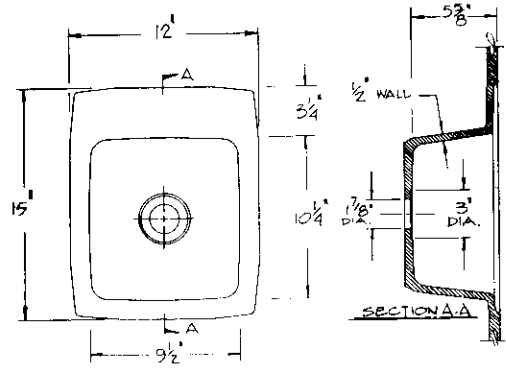
	CATALOG No.	DESCRIPTION	LIST PRICE	
MALE	20074	108-OPAL		CAST WEIGHT SCALE 1" = 1'0" DATE 4-23-92
FEMALE	400747	FFF-OPAL		
INSERT				
NAME	OPAL FLOATING BOWL - INTEGRAL		©1992	REF. B-PD-1218

ISSUED BY GRUBER SYSTEMS INC. 25636 AVE. STANFORD, VALENCIA, CA 91355
GRUBER SYSTEMS RESERVES THE RIGHT TO CHANGE THIS INFORMATION AT ANY TIME WITHOUT PRIOR NOTICE



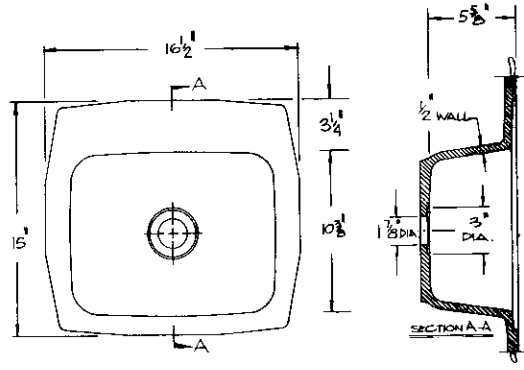
	CATALOG No.	DESCRIPTION	LIST PRICE	
MALE	20071	108-CHRYSTAL		CAST WEIGHT SCALE 1" = 1'0" DATE 4-23-92
FEMALE	400717	FFF-CHRYSTAL		
INSERT				
NAME	CHRYSTAL FLOATING BOWL - INTEGRAL		©1992	REF. B-PD-1219

ISSUED BY GRUBER SYSTEMS INC. 25636 AVE. STANFORD, VALENCIA, CA 91355
 GRUBER SYSTEMS RESERVES THE RIGHT TO CHANGE THIS INFORMATION AT ANY TIME WITHOUT PRIOR NOTICE



	CATALOG No.	DESCRIPTION	LIST PRICE	
MALE	20054	108-15"x12" BAR		CAST WEIGHT
FEMALE	400547	FFF-108 15"x12" BAR		SCALE 1" = 10"
INSERT				DATE 4-30-92
NAME	15"x12" FLOATING BAR BOWL - INTEGRAL		©1992	REF. B-PD-1032

ISSUED BY GRUBER SYSTEMS INC. 25636 AVE. STANFORD, VALENCIA, CA 91355
GRUBER SYSTEMS RESERVES THE RIGHT TO CHANGE THIS INFORMATION AT ANY TIME WITHOUT PRIOR NOTICE

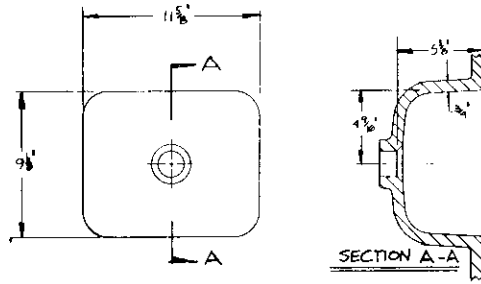


	CATALOG No.	DESCRIPTION	LIST PRICE	
MALE	20053	108-15"X16" BAR		CAST WEIGHT SCALE 1" = 1'0" DATE 4-30-92
FEMALE	400537	FFF-108 15"X16" BAR		
INSERT				
NAME	15"X16" FLOATER BAR BOWL - INTEGRAL			©1992 REF. B-PD-1033

25636 AVE. STANFORD, VALENCIA, CA 91355

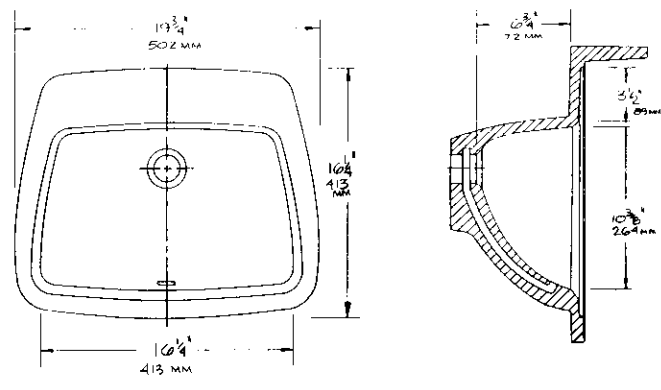
ISSUED BY GRUBER SYSTEMS INC.

GRUBER SYSTEMS RESERVES THE RIGHT TO CHANGE THIS INFORMATION AT ANY TIME WITHOUT PRIOR NOTICE



	CATALOG No.	DESCRIPTION	LIST PRICE	
MALE	20051	108-B BAR SINK		CAST WEIGHT SCALE 1" = 1'0" DATE 4-22-92
FEMALE	400517	FFF-BAR		
INSERT				
NAME	"B" BAR SINK FLOATER - INTEGRAL		©1992	REF. B-PD-974

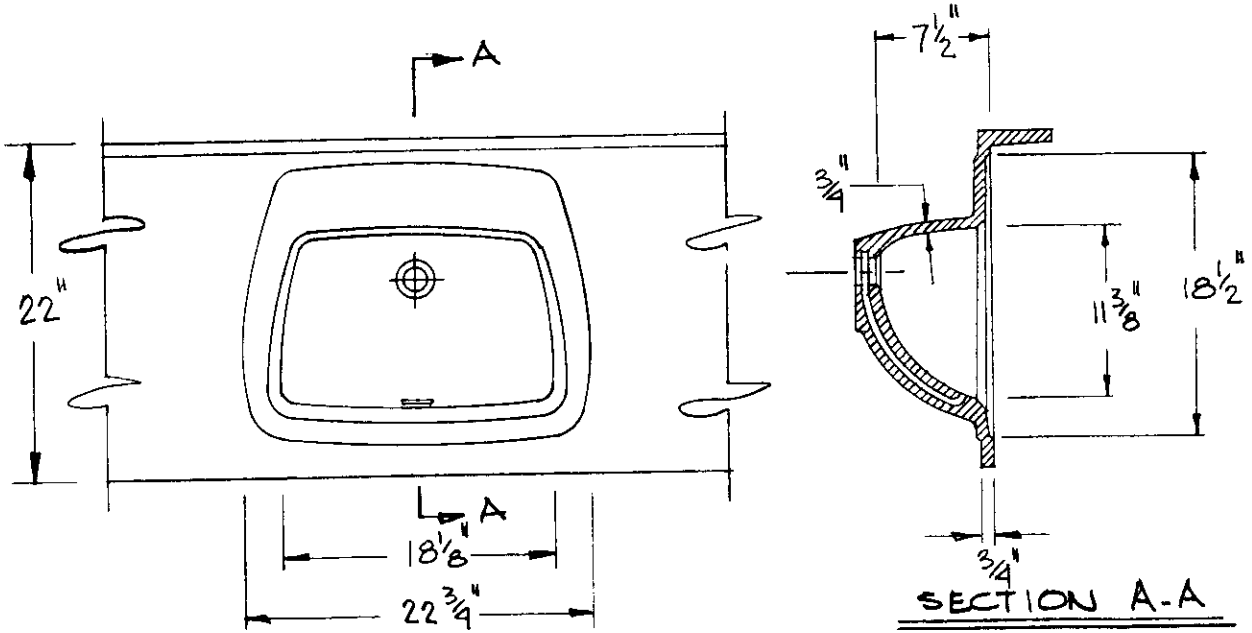
ISSUED BY GRUBER SYSTEMS INC. 25636 AVE. STANFORD, VALENCIA, CA 91355
GRUBER SYSTEMS RESERVES THE RIGHT TO CHANGE THIS INFORMATION AT ANY TIME WITHOUT PRIOR NOTICE



MODULAR VANITIES	
CATALOG NO.	DESCRIPTION
21491	119-LRL-25
21492	119-LRL-31
21493	119-LRL-37
21495	119-LRL-49

	CATALOG No.	DESCRIPTION	LIST PRICE	
MALE	20070	108-LRL ROYALE 2		CAST WEIGHT SCALE 1" = 1'0" DATE 4-23-92
FEMALE	400707	FFF-LRL		
INSERT				
NAME	"LRL" FLOATING BOWL - INTEGRAL		©1992	REF. B-PD-002

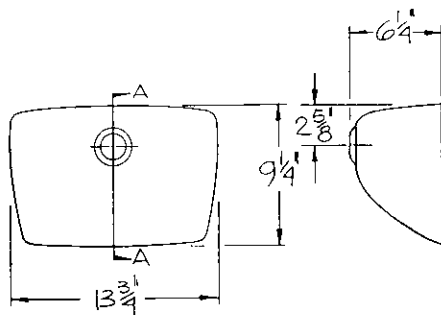
25636 AVE. STANFORD, VALENCIA, CA 91355
 ISSUED BY GRUBER SYSTEMS INC.
 GRUBER SYSTEMS RESERVES THE RIGHT TO CHANGE THIS INFORMATION AT ANY TIME WITHOUT PRIOR NOTICE



MODULAR VANITIES			
CATALOG NO. DESCRIPTION		CATALOG NO. DESCRIPTION	
20392	110-RL-25	20881	111-RL-25
20393	110-RL-31	20882	111-RL-31
20394	110-RL-37	20883	111-RL-37
20396	110-RL-49	20884	111-RL-43
20398	110-RL-49-DB24	20885	111-RL-49
20399	110-RL-61-DB30	20886	111-RL-61
		20887	111-RL-73
		20892	111-RL-120

	CATALOG No.	DESCRIPTION	LIST PRICE	
MALE	20090	108-RL ROYALE		CAST WEIGHT SCALE 1" = 10" DATE 4-22-92
FEMALE	400907	FFF-RL		
INSERT				
NAME	"RL" FLOATING BOWL - INTEGRAL		©1992	REF. B-PD-1270

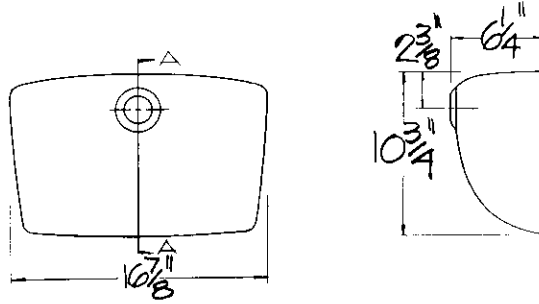
ISSUED BY GRUBER SYSTEMS INC. 25636 AVE. STANFORD, VALENCIA, CA 91355
GRUBER SYSTEMS RESERVES THE RIGHT TO CHANGE THIS INFORMATION AT ANY TIME WITHOUT PRIOR NOTICE



	CATALOG No.	DESCRIPTION	LIST PRICE	
MALE	20022	108-MMR SUPER BOWL 3		CAST WEIGHT SCALE 1" = 1'0" DATE 11-5-92
FEMALE	400227	FFF-MMR		
INSERT				
NAME	"MMR" FLOATING BOWL -INTEGRAL		©1992	REF. B-PD-

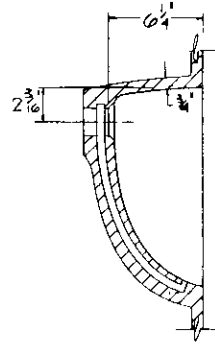
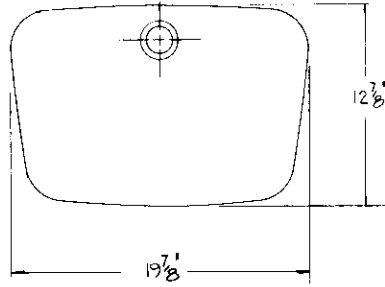
25636 AVE. STANFORD, VALENCIA, CA 91355

ISSUED BY GRUBER SYSTEMS INC.
GRUBER SYSTEMS RESERVES THE RIGHT TO CHANGE THIS INFORMATION AT ANY TIME WITHOUT PRIOR NOTICE



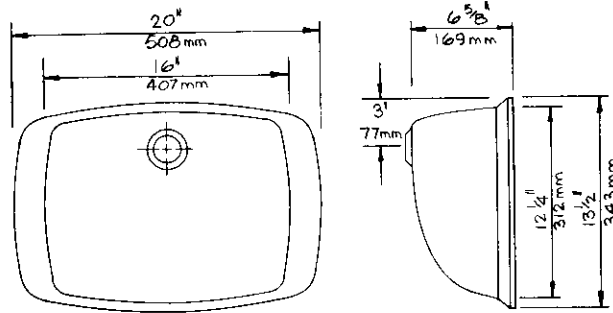
	CATALOG No.	DESCRIPTION	LIST PRICE		CAST WEIGHT
MALE	20021	108-MR SUPERBOWL 2			
FEMALE	400217	FFF-MR			SCALE 1" = 1'0"
INSERT					DATE 5-11-92
NAME	"MR" FLOATING BOWL - INTEGRAL		©1992		REF. B-PD-

ISSUED BY GRUBER SYSTEMS INC. 25636 AVE. STANFORD, VALENCIA, CA 91355
GRUBER SYSTEMS RESERVES THE RIGHT TO CHANGE THIS INFORMATION AT ANY TIME WITHOUT PRIOR NOTICE



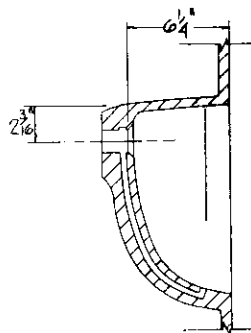
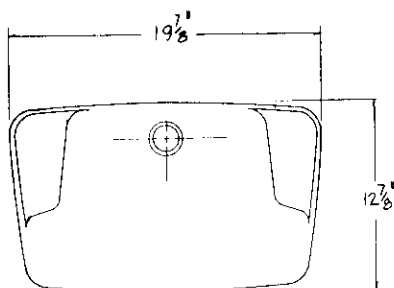
	CATALOG No.	DESCRIPTION	LIST PRICE	
MALE	20020	108-RR SUPER BOWL 1		CAST WEIGHT SCALE 1" = 1'0" DATE 4-22-92
FEMALE	400207	FFF-RR		
INSERT				
NAME	"RR" SUPERBOWL 1		©1992	REF. B-PD-976

ISSUED BY GRUBER SYSTEMS INC. 25636 AVE. STANFORD, VALENCIA, CA 91355
 GRUBER SYSTEMS RESERVES THE RIGHT TO CHANGE THIS INFORMATION AT ANY TIME WITHOUT PRIOR NOTICE



	CATALOG No.	DESCRIPTION	LIST PRICE		CAST WEIGHT
MALE	20001	108 - SH SAVANNAH			
FEMALE	40001B	FFF - SH			SCALE 1" = 1'0"
INSERT					DATE 4-23-92
NAME	"SH" FLOATING BOWL - INTEGRAL			©1992	REF. B-PD-545

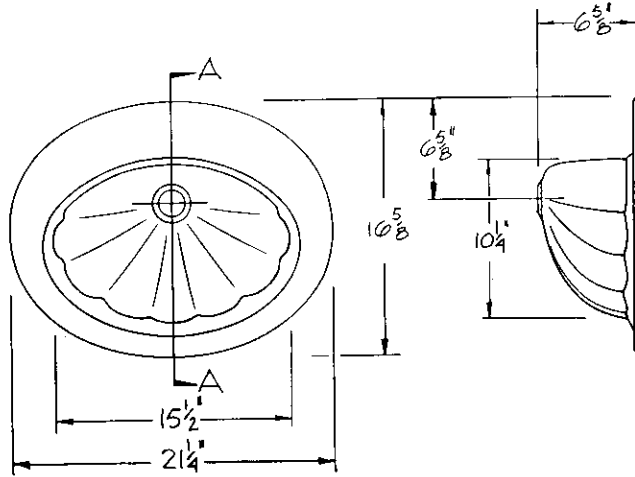
ISSUED BY GRUBER SYSTEMS INC. 25636 AVE. STANFORD, VALENCIA, CA 91355
GRUBER SYSTEMS RESERVES THE RIGHT TO CHANGE THIS INFORMATION AT ANY TIME WITHOUT PRIOR NOTICE



MODULAR VANITIES	
CATALOG NO.	DESCRIPTION.
20380	110-RRSD-25
20381	110-RRSD-31
20382	110-RRSD-37
20383	110-RRSD-43
20384	110-RRSD-49
20385	110-RRSD-61
20386	110-RRSD-61-DB30
20387	110-RRSD-73
20388	110-RRSD-73-DB36

	CATALOG No.	DESCRIPTION	LIST PRICE	
MALE	20026	108-RRSD SUPER BOWL W/S.D.		CAST WEIGHT SCALE 1" = 1'0" DATE 4-22-92
FEMALE	400267	FFF-RRSD		
INSERT				
NAME	"RRSD" SUPER BOWL WITH SOAP DISHES		©1992	REF. B-PD - 935

ISSUED BY GRUBER SYSTEMS INC. 25636 AVE. STANFORD, VALENCIA, CA 91355
GRUBER SYSTEMS RESERVES THE RIGHT TO CHANGE THIS INFORMATION AT ANY TIME WITHOUT PRIOR NOTICE

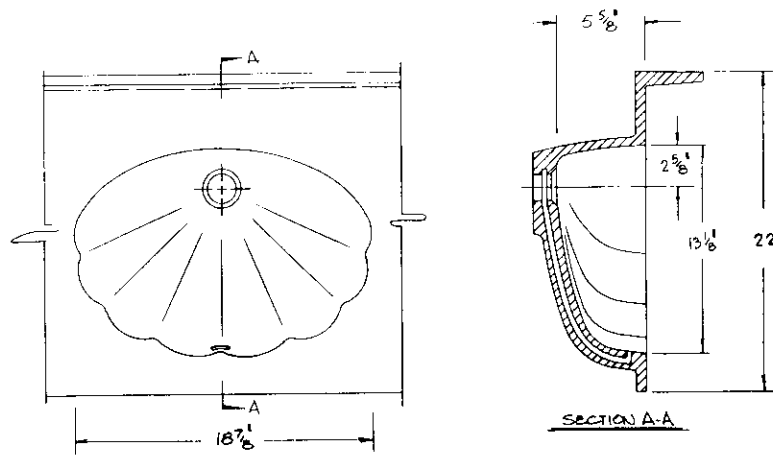


MODULAR VANITIES	
CATALOG NO.	DESCRIPTION
21471	119-LNS-25
21472	119-LNS-31
21473	119-LNS-37
21476	119-LNS-49

	CATALOG No.	DESCRIPTION	LIST PRICE
MALE	20059	108-LNS MAKAHA	
FEMALE	400587	FFF-LN/LNS	
INSERT			
NAME	"LNS" FLOATING BOWL - INTEGRAL		

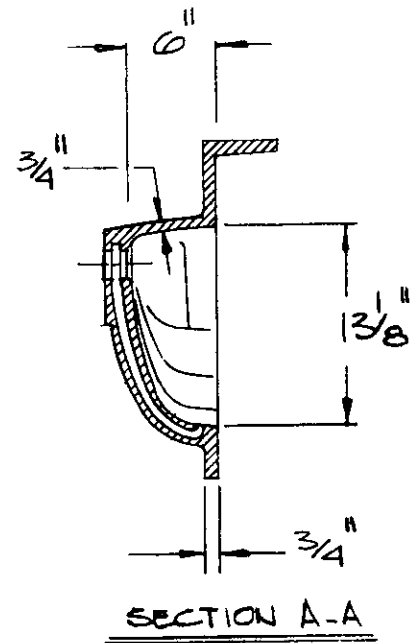
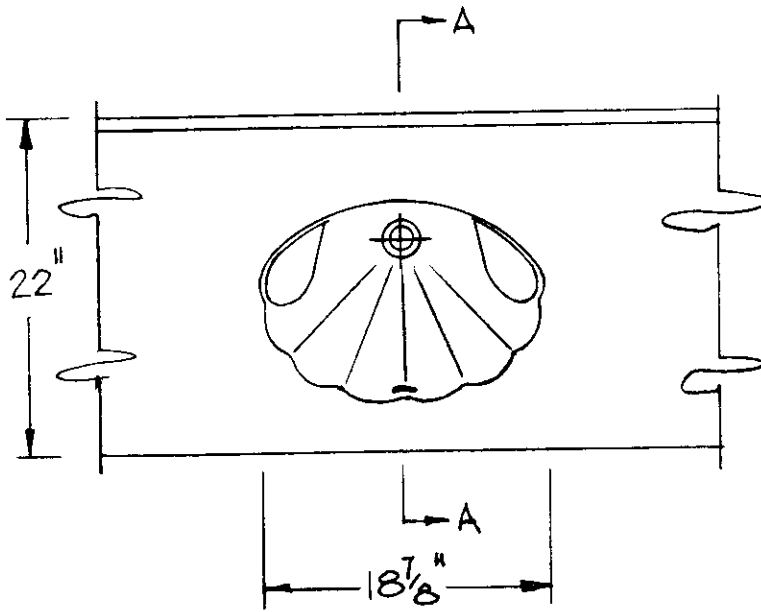
CAST WEIGHT
SCALE 1" = 1'0"
DATE 5-5-92
©1992 REF. B-PD-

ISSUED BY GRUBER SYSTEMS INC. 25636 AVE. STANFORD, VALENCIA, CA 91355
GRUBER SYSTEMS RESERVES THE RIGHT TO CHANGE THIS INFORMATION AT ANY TIME WITHOUT PRIOR NOTICE



	CATALOG No.	DESCRIPTION	LIST PRICE	
MALE	20013	108-W HILO		CAST WEIGHT SCALE 1" = 1'0" DATE 4-22-92
FEMALE	400137	FFF-W		
INSERT				
NAME	"W" FLOATING BOWL - INTEGRAL		©1992	REF. B-PD-834

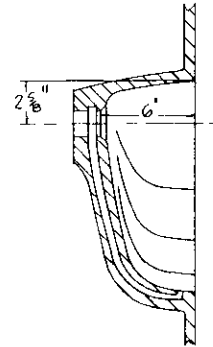
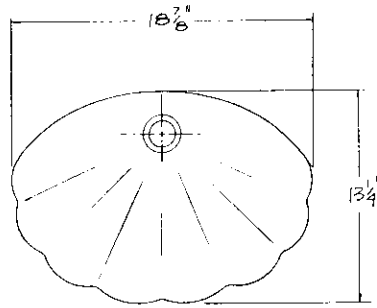
ISSUED BY GRUBER SYSTEMS INC. 25636 AVE. STANFORD, VALENCIA, CA 91355
GRUBER SYSTEMS RESERVES THE RIGHT TO CHANGE THIS INFORMATION AT ANY TIME WITHOUT PRIOR NOTICE



MODULAR VANITIES	
CATALOG NO.	DESCRIPTION
20351	110-WX-25
20352	110-WX-31
20353	110-WX-37
20356	110-WX-43
20359	110-WX-49
20360	110-WX-61
20363	110-WX-61-DB30
20364	110-WX-72-DB36
20371	110-WX-120

CATALOG No.	DESCRIPTION	LIST PRICE	CAST WEIGHT
MALE 20023	108-WSD HILO W/SOAPDISHES		SCALE 1" = 1'0"
FEMALE 400237	FFF-WSD		DATE 4-22-92
INSERT			
NAME	"WSD" FLOATING BOWL - INTEGRAL	©1992	REF. B-PD-1272

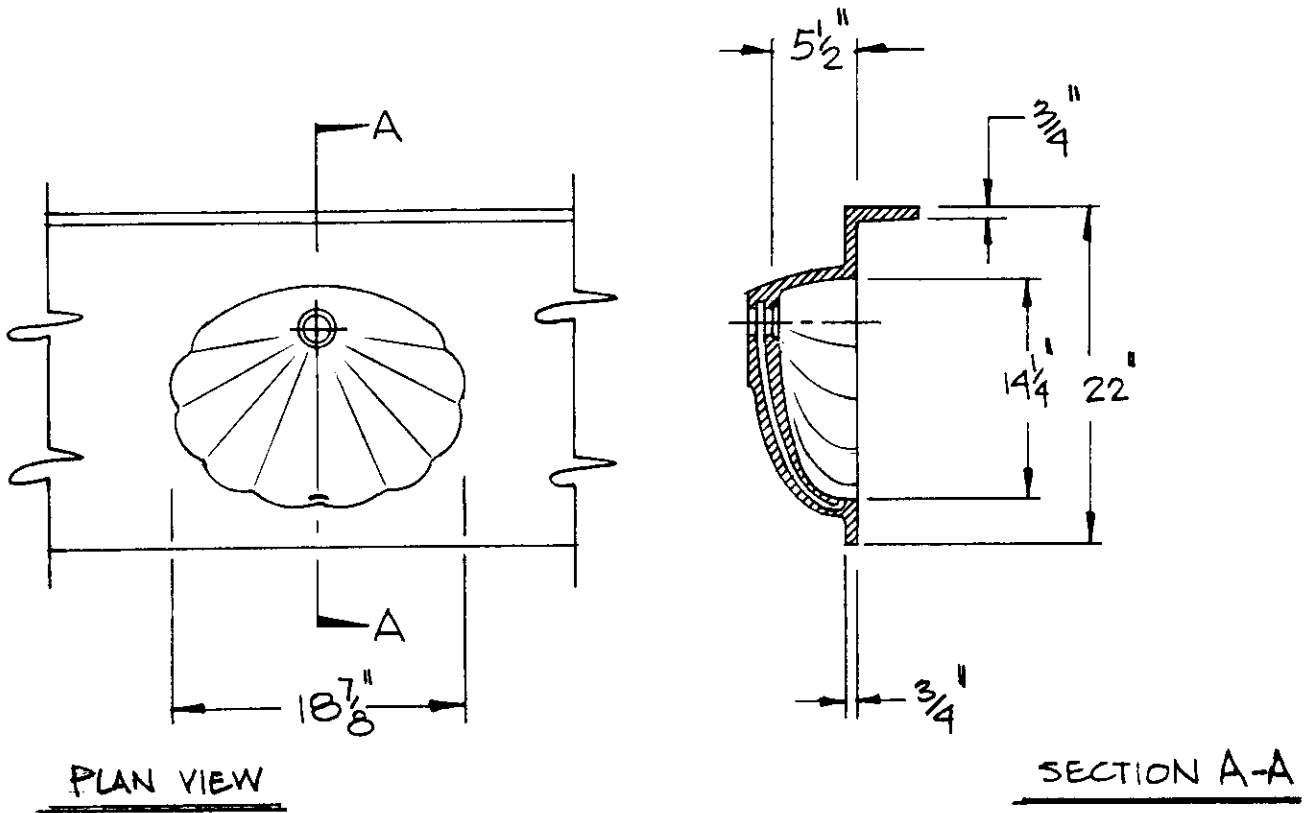
ISSUED BY GRUBER SYSTEMS INC. 25636 AVE. STANFORD, VALENCIA, CA 91355
GRUBER SYSTEMS RESERVES THE RIGHT TO CHANGE THIS INFORMATION AT ANY TIME WITHOUT PRIOR NOTICE



MODULAR VANITIES	
CATALOG NO.	DESCRIPTION
20640	111-WX-25-BANK65
20641	111-WX-25-BANK65
20642	111-WX-31-BANK71
20643	111-WX-31-BANK71
20644	111-WX-37-BANK77
20645	111-WX-37-BANK77
20647	111-WX-120
20351	110-WX-25
20352	110-WX-31
20353	110-WX-37
20356	110-WX-43
20359	110-WX-49
20360	110-WX-61
20363	110-WX-61-DB30
20364	110-WX-72-DB36
20371	110-WX-120

	CATALOG No.	DESCRIPTION	LIST PRICE	
MALE	20049	108-WX MAUI		CAST WEIGHT SCALE 1" = 1'0" DATE 4-22-92
FEMALE	403417	FFF-WX (OVAL POUR)		
INSERT				
NAME	"WX" FLOATING BOWL - INTEGRAL		©1992	REF. B-PD-975

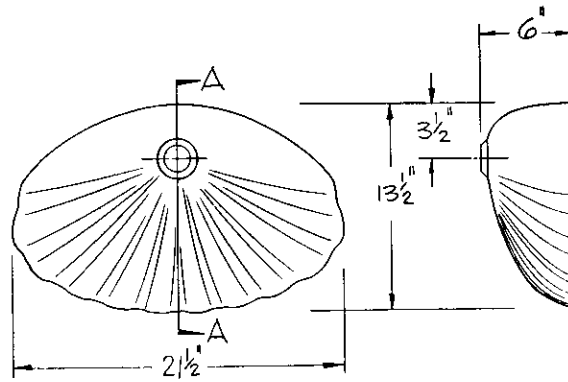
25636 AVE. STANFORD, VALENCIA, CA 91355
 ISSUED BY GRUBER SYSTEMS INC.
 GRUBER SYSTEMS RESERVES THE RIGHT TO CHANGE THIS INFORMATION AT ANY TIME WITHOUT PRIOR NOTICE



MODULAR VANITIES					
CATALOG NO.	DESCRIPTION	CATALOG NO.	DESCRIPTION	CATALOG NO.	DESCRIPTION
20301	110-S-25	20701	111-S-25	20736	111-S-61-DB30
20302	110-S-31	20702	111-S-31	20735	111-S-61-DB36
20303	110-S-37	20703	111-S-37	20715	111-S-73
20306	110-S-43	20704	111-S-37LB	20737	111-S-73-DB30
20309	110-S-49	20705	111-S-37RB	20738	111-S-73-DB36
20312	110-S-61	20706	111-S-43	20718	111-S-86
20314	110-S-61-DB30	20707	111-S-43-LB	20719	111-S-86-LB
20315	110-S-73	20708	111-S-43-RB	20720	111-S-86-RB
20318	110-S-120	20709	111-S-49	20721	111-S-86-DB30
		20710	111-S-49-LB	20722	111-S-86-DB36
		20711	111-S-49-RB	20723	111-S-86-DB42
		20712	111-S-61	20724	111-S-86-DB48
		20713	111-S-61-LB	20730	111-S-120
		20714	111-S-61-RB		

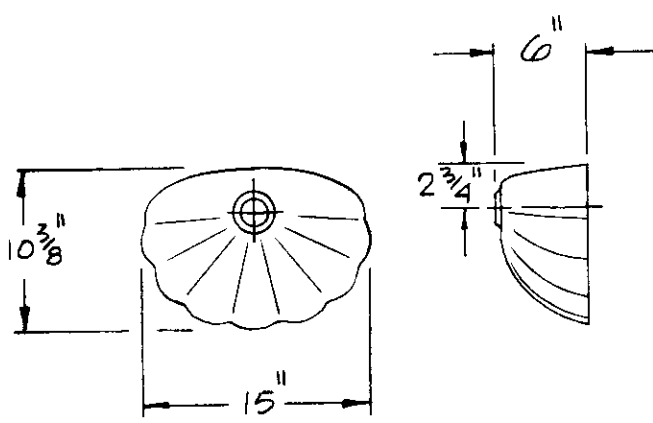
CATALOG No.	DESCRIPTION	LIST PRICE	CAST WEIGHT
MALE	20012	108-S MOLOKAI	SCALE 1" = 1'0"
FEMALE	400127	FFF-S	DATE 4-22-92
INSERT			
NAME	"S" FLOATING BOWL - INTEGRAL		©1992 REF. B-PD-1285

ISSUED BY GRUBER SYSTEMS INC. 25636 AVE. STANFORD, VALENCIA, CA 91355
GRUBER SYSTEMS RESERVES THE RIGHT TO CHANGE THIS INFORMATION AT ANY TIME WITHOUT PRIOR NOTICE



	CATALOG No.	DESCRIPTION	LIST PRICE	
MALE	20037	108-P MOANA		CAST WEIGHT SCALE 1" = 10" DATE 5-11-92
FEMALE	400377	FFF-P		
INSERT				
NAME	"P" FLOATING BOWL - INTEGRAL		©1992	REF. B-PD-

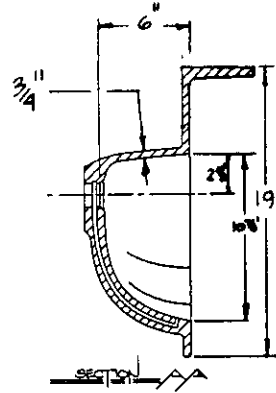
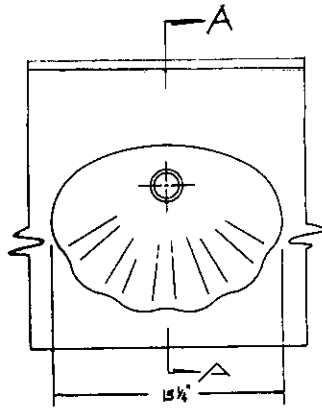
ISSUED BY GRUBER SYSTEMS INC. 25636 AVE. STANFORD, VALENCIA, CA 91355
 GRUBER SYSTEMS RESERVES THE RIGHT TO CHANGE THIS INFORMATION AT ANY TIME WITHOUT PRIOR NOTICE



MODULAR VANITIES	
CATALOG NO.	DESCRIPTION
21251	117-Y8-19
21252	117-Y8-23
21253	117-Y8-24
21250	117-Y8-25
21254	117-Y8-30
21256	117-Y8-31
21255	117-Y8-36
21301	217-Y8-19
21302	217-Y8-25
21303	217-Y8-31
21304	217-Y8-37

	CATALOG No.	DESCRIPTION	LIST PRICE	
MALE	20016	108-Y5 LANIKAI		CAST WEIGHT SCALE 1" = 1'0" DATE 4-22-92
FEMALE	400167	FFF-Y/Y5		
INSERT				
NAME	"Y5" FLOATING BOWL - INTEGRAL		©1992	REF. B-PD-1393

ISSUED BY GRUBER SYSTEMS INC. 25636 AVE. STANFORD, VALENCIA, CA 91355
GRUBER SYSTEMS RESERVES THE RIGHT TO CHANGE THIS INFORMATION AT ANY TIME WITHOUT PRIOR NOTICE



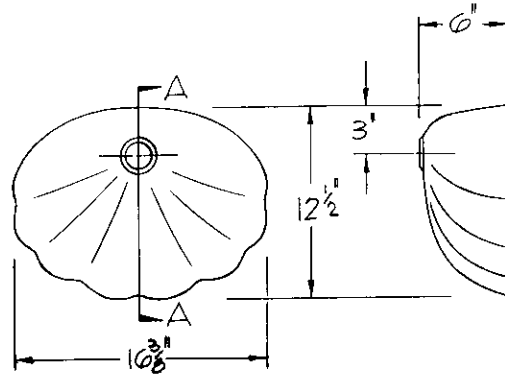
MODULAR VANITIES	
CATALOG NO.	DESCRIPTION
21801	219-GS-22
21802	219-GS-25
21803	219-GS-31
21804	219-GS-37
21808	219-GS-49
21815	219-GS-86
21502	119-GS-25
21503	119-GS-31
21504	119-GS-37
21509	119-GS-61-DB30

	CATALOG No.	DESCRIPTION	LIST PRICE
MALE	20018	108-GS KONA	
FEMALE	400187	FFF-GS	
INSERT			
NAME	"GS" FLOATING BOWL - INTEGRAL		

©1992

CAST WEIGHT
SCALE 1" = 1'0"
DATE 4-21-92
REF. B-PD-137A

ISSUED BY GRUBER SYSTEMS INC. 25636 AVE. STANFORD, VALENCIA, CA 91355
GRUBER SYSTEMS RESERVES THE RIGHT TO CHANGE THIS INFORMATION AT ANY TIME WITHOUT PRIOR NOTICE



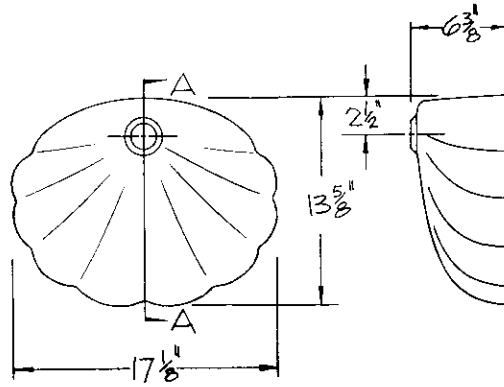
MODULAR VANITIES	
CATALOG NO.	DESCRIPTION
21680	119-I-25
21681	119-I-31
21682	119-I-37

	CATALOG No.	DESCRIPTION	LIST PRICE
MALE	20009	10B-I MAI-TAI	
FEMALE	400097	FFF-I	
INSERT			
NAME	"I" FLOATING BOWL - INTEGRAL		

CAST WEIGHT
SCALE 1" = 1'0"
DATE 5-11-92
REF. B-PD-

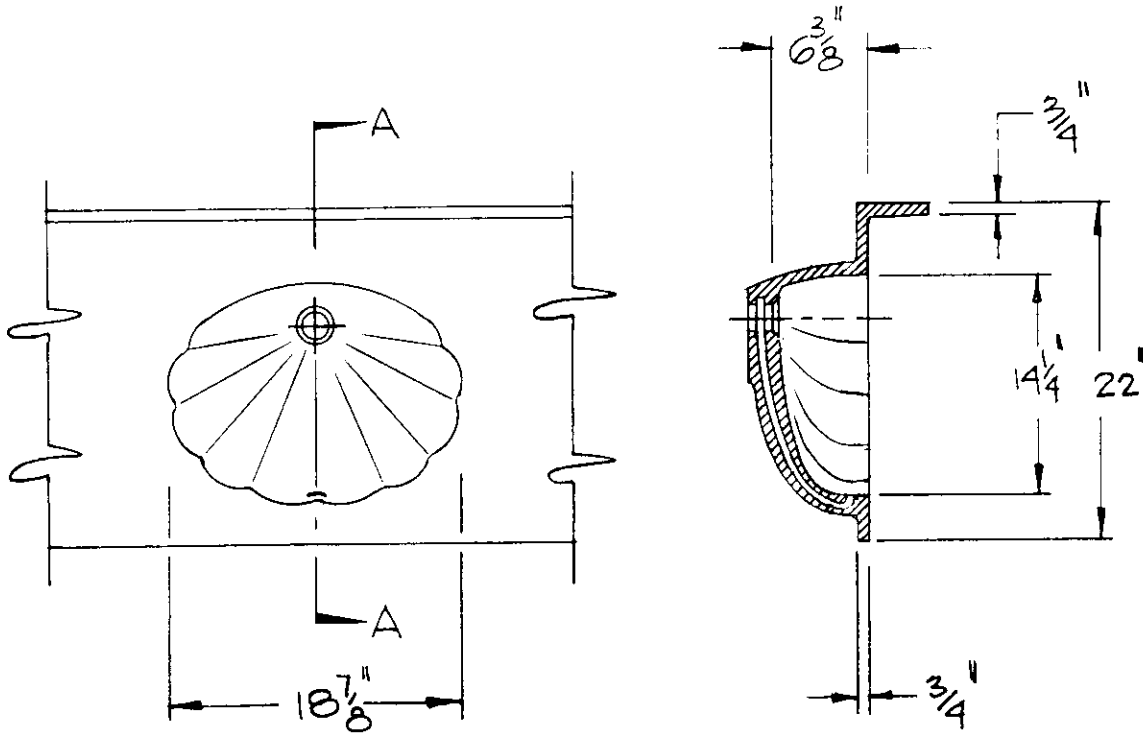
©1992

ISSUED BY GRUBER SYSTEMS INC. 25636 AVE. STANFORD, VALENCIA, CA 91355
GRUBER SYSTEMS RESERVES THE RIGHT TO CHANGE THIS INFORMATION AT ANY TIME WITHOUT PRIOR NOTICE



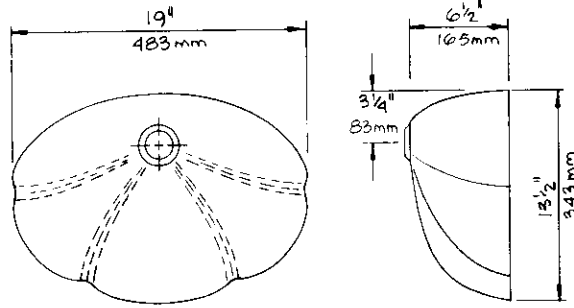
	CATALOG No.	DESCRIPTION	LIST PRICE	
MALE	20055	108-FAB SHELL LANAI		CAST WEIGHT
FEMALE	400557	FFF-FAB 1/2"		SCALE 1" = 1'0"
INSERT				DATE 5-11-92
NAME	FAB S FLOATING BOWL - INTEGRAL		©1992	REF. B-PD-

ISSUED BY GRUBER SYSTEMS INC. 25636 AVE. STANFORD, VALENCIA, CA 91355
 GRUBER SYSTEMS RESERVES THE RIGHT TO CHANGE THIS INFORMATION AT ANY TIME WITHOUT PRIOR NOTICE



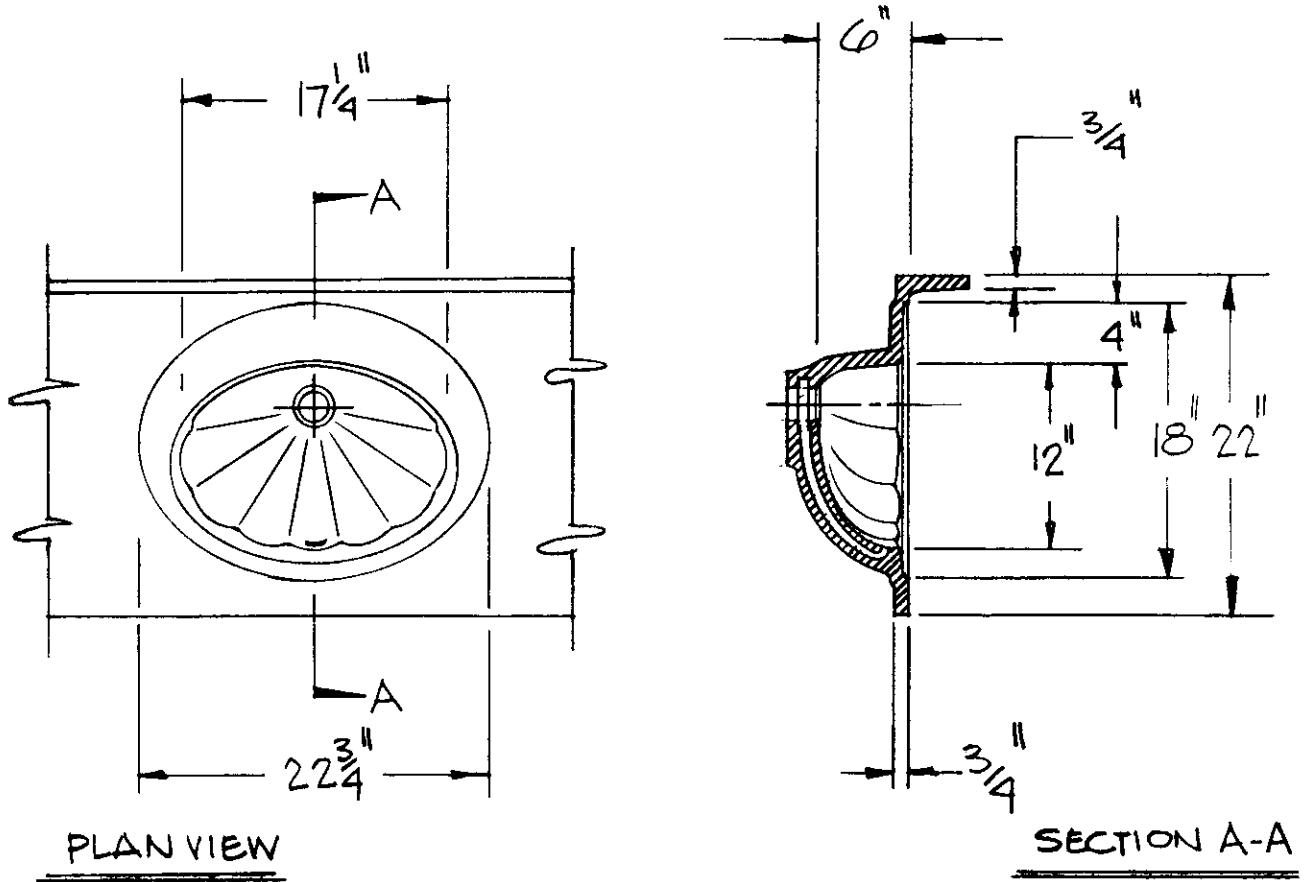
	CATALOG No.	DESCRIPTION	LIST PRICE	
MALE	20033	108-SS DEEP MOLOKAI		CAST WEIGHT SCALE 1" = 10" DATE 11-5-92
FEMALE	400828	FFF-SS		
INSERT				
NAME	"SS" FLOATING BOWL - INTEGRAL		©1992	REF. B-PD-

ISSUED BY GRUBER SYSTEMS INC. 25636 AVE. STANFORD, VALENCIA, CA 91355
 GRUBER SYSTEMS RESERVES THE RIGHT TO CHANGE THIS INFORMATION AT ANY TIME WITHOUT PRIOR NOTICE



	CATALOG No.	DESCRIPTION	LIST PRICE	
MALE	20060	108-LZ LAPAZ		CAST WEIGHT SCALE 1" = 1'0" DATE 4-23-92
FEMALE	400608	FFF-LZ		
INSERT				
NAME	"LZ" FLOATING BOWL - INTEGRAL			©1992 REF. B-PD-545

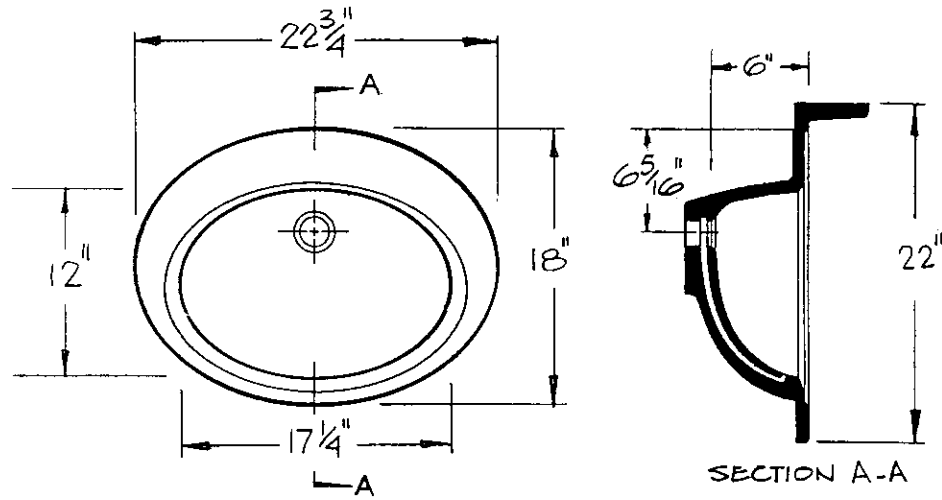
25636 AVE. STANFORD, VALENCIA, CA 91355
 GRUBER SYSTEMS INC.
 GRUBER SYSTEMS RESERVES THE RIGHT TO CHANGE THIS INFORMATION AT ANY TIME WITHOUT PRIOR NOTICE



MODULAR VANITIES			
CATALOG NO. DESCRIPTION		CATALOG NO. DESCRIPTION	
(WAIKIKI - STRAIGHT EDGE)		(WAIKIKI - DRIPLESS EDGE)	
20585	111-NS-25	20431	110-NS-25
20586	111-NS-31	20432	110-NS-31
20587	111-NS-37	20433	110-NS-37
20588	111-NS-43	20437	110-NS-43
20589	111-NS-49	20441	110-NS-49
20590	111-NS-61	20440	110-NS-49-LB
20595	111-NS-120	20439	110-NS-49-RB
		20442	110-NS-61
		20443	110-NS-61-LB
		20444	110-NS-61-RB
		20445	110-NS-61-DB30
		20446	110-NS-73-DB36
		20447	110-NS-73
		20448	110-NS-120

	CATALOG No.	DESCRIPTION	LIST PRICE		CAST WEIGHT
MALE	20045	108-NS-WAIKIKI			
FEMALE	400287	FFF-N/NS			SCALE 1" = 1'0"
INSERT					DATE 4-21-92
NAME	"NS" FLOATING BOWL - INTEGRAL			©1992	REF. B-PD-1280

ISSUED BY GRUBER SYSTEMS INC. 25636 AVE. STANFORD, VALENCIA, CA 91355
GRUBER SYSTEMS RESERVES THE RIGHT TO CHANGE THIS INFORMATION AT ANY TIME WITHOUT PRIOR NOTICE

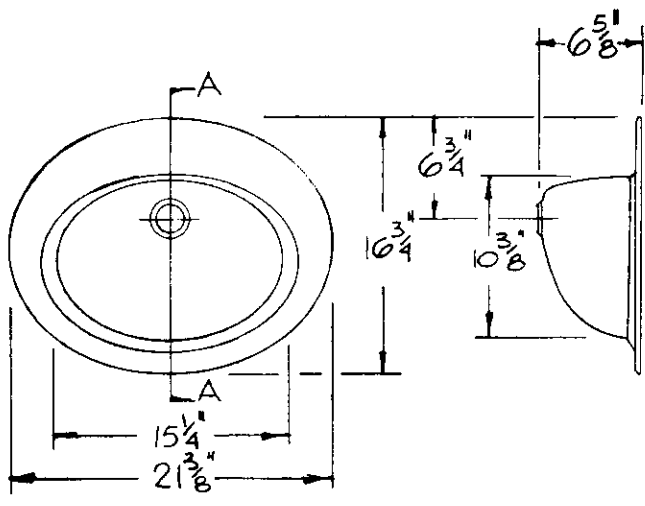


MODULAR VANITIES	
CATALOG NO.	DESCRIPTION
(LAGUNA - STRAIGHT EDGE)	
20751	111-N-25
20752	111-N-31
20753	111-N-37
20756	111-N-43
20759	111-N-49
20758	111-N-55
20762	111-N-61
20760	111-N-61-RB15 1/2
20761	111-N-61-LB15 1/2
20763	111-N-61-DB30
20768	111-N-73
20764	111-N-73-LB18
20765	111-N-73-RB18
20767	111-N-73-DB36
20766	111-N-86
20770	111-N-85-DB42
20780	111-N-120
20783	111-N-120-DB48

	CATALOG No.	DESCRIPTION	LIST PRICE
MALE	20028	108-N LAGUNA	
FEMALE	400287	FFF N/NS	
INSERT			
NAME	"N" FLOATING BOWL - INTEGRAL		

CAST WEIGHT
SCALE 1" = 1'0"
DATE 4-21-92
©1992 REF. B-PD-1374

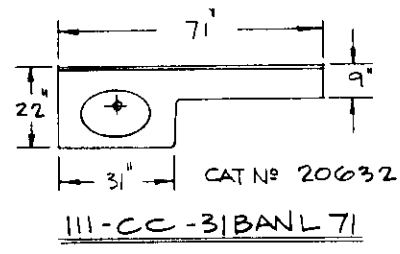
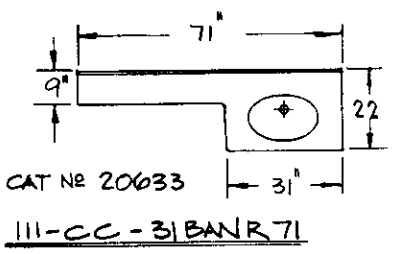
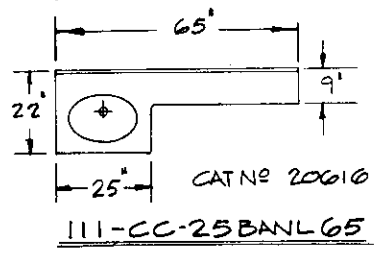
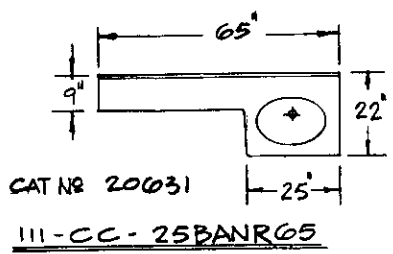
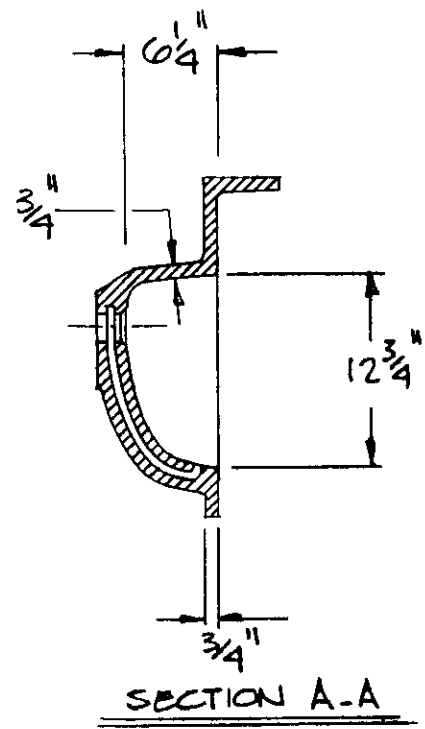
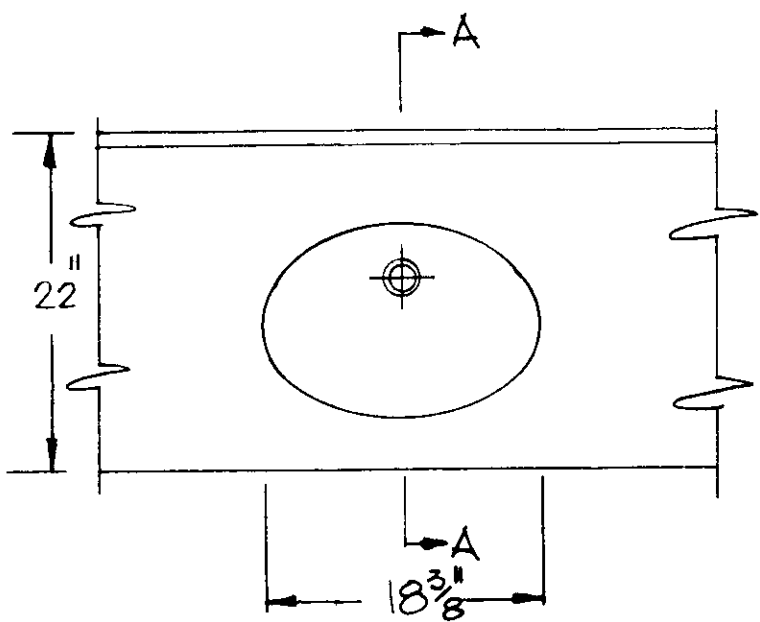
ISSUED BY GRUBER SYSTEMS INC. 25636 AVE. STANFORD, VALENCIA, CA 91355
GRUBER SYSTEMS RESERVES THE RIGHT TO CHANGE THIS INFORMATION AT ANY TIME WITHOUT PRIOR NOTICE



MODULAR VANITIES	
CATALOG NO.	DESCRIPTION
21451	119-LN-25
21452	119-LN-31
21453	119-LN-37
21456	119-LN-49
21861	219-LN-25
21862	219-LN-31
21863	219-LN-37
21454	119-LN-43
21864	219-LN-49
21860	219-LN-120*

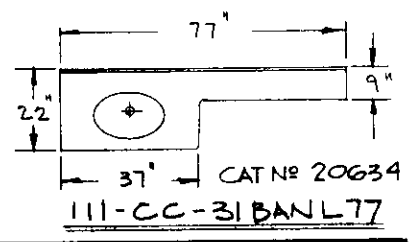
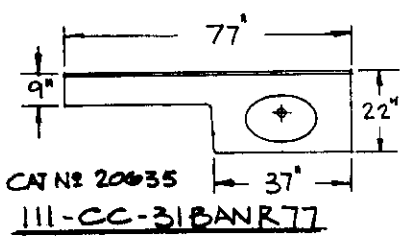
	CATALOG No.	DESCRIPTION	LIST PRICE	
MALE	20058	108 - LN MONTEREY		CAST WEIGHT SCALE 1" = 1'0" DATE 5-5-92
FEMALE	400587	FFF - LN/LNS		
INSERT				
NAME	"LN" FLOATING BOWL - INTEGRAL		©1992	REF. B-PD-1573

25636 AVE. STANFORD, VALENCIA, CA 91355
 ISSUED BY GRUBER SYSTEMS INC.
 GRUBER SYSTEMS RESERVES THE RIGHT TO CHANGE THIS INFORMATION AT ANY TIME WITHOUT PRIOR NOTICE



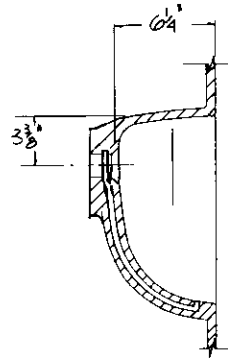
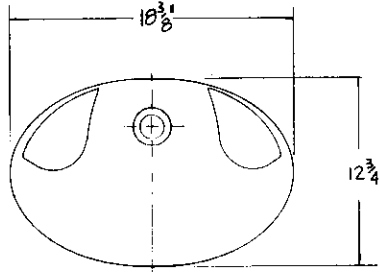
NOTE: THESE BANJO VANITIES ARE DRAWN AS CAST PRODUCTS.

NOTE:
 "CC" BANJO VANITY MOLDS
 INCLUDE SHORT & LONG
 SIDE SPLASHES.
 THE BANJO VANITIES
 ARE NOT DRAWN TO SCALE.



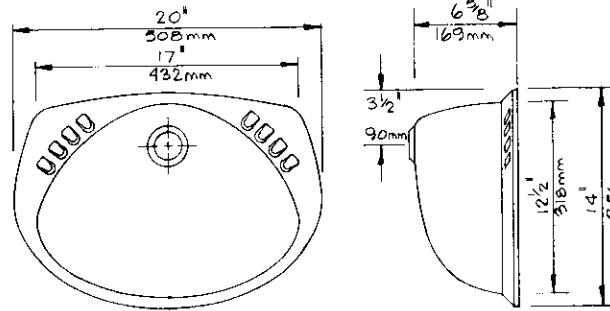
	CATALOG No.	DESCRIPTION	LIST PRICE	
MALE	20014	108-CC MALIBU		CAST WEIGHT
FEMALE	400147	FFF-CC		SCALE 1" = 1'0"
INSERT				DATE 4-22-92
NAME	"CC" FLOATING BOWL - INTEGRAL		©1992	REF. B-PD-1271

ISSUED BY GRUBER SYSTEMS INC. 25636 AVE. STANFORD, VALENCIA, CA 91355
GRUBER SYSTEMS RESERVES THE RIGHT TO CHANGE THIS INFORMATION AT ANY TIME WITHOUT PRIOR NOTICE

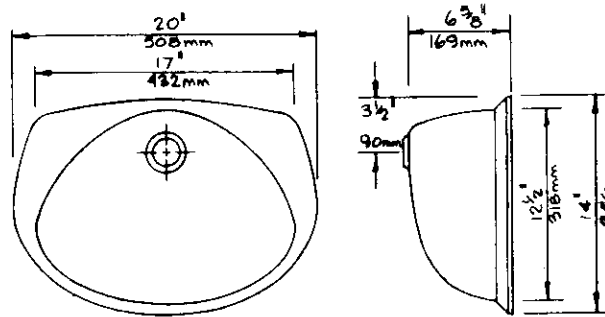


	CATALOG No.	DESCRIPTION	LIST PRICE	
MALE	20024	108-CCSD MALIBU W/S.D.		CAST WEIGHT SCALE 1" = 1'0" DATE 2-23-92
FEMALE	400247	FFF-CCSD		
INSERT				
NAME	"CCSD" FLOATING BOWL WITH SOAP DISHES		©1992	REF. B-PD-934

ISSUED BY GRUBER SYSTEMS INC. 25636 AVE. STANFORD, VALENCIA, CA 91355
GRUBER SYSTEMS RESERVES THE RIGHT TO CHANGE THIS INFORMATION AT ANY TIME WITHOUT PRIOR NOTICE

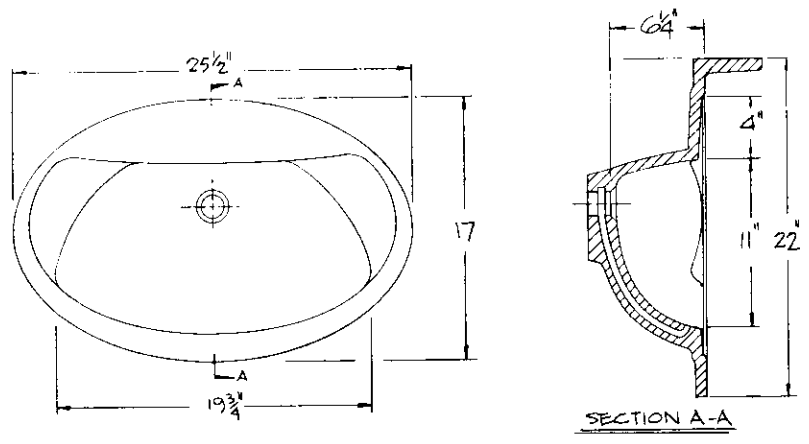


CATALOG No.	DESCRIPTION	LIST PRICE		
MALE	20062	10B-DESD DELAWARE W/S.D.	CAST WEIGHT	
FEMALE	40062B	FFF DESD/DE		SCALE 1" = 1'0"
INSERT				DATE 4-23-92
NAME	"DESD" FLOATING BOWL-INTEGRAL WITH SOAP DISHES		©1992 REF. B-PD-545	



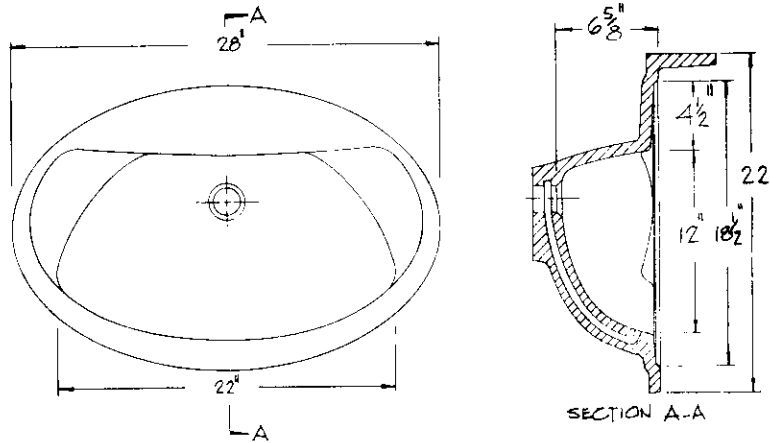
CATALOG No.	DESCRIPTION	LIST PRICE		
MALE	20063	10B-DE DELAWARE	CAST WEIGHT	
FEMALE	40062B	FFF DESD/DE		SCALE 1" = 1'0"
INSERT				DATE 4-23-92
NAME	"DE" FLOATING BOWL - INTEGRAL		©1992 REF. B-PD-545	

ISSUED BY GRUBER SYSTEMS INC. 25636 AVE. STANFORD, VALENCIA, CA 91355
 GRUBER SYSTEMS RESERVES THE RIGHT TO CHANGE THIS INFORMATION AT ANY TIME WITHOUT PRIOR NOTICE



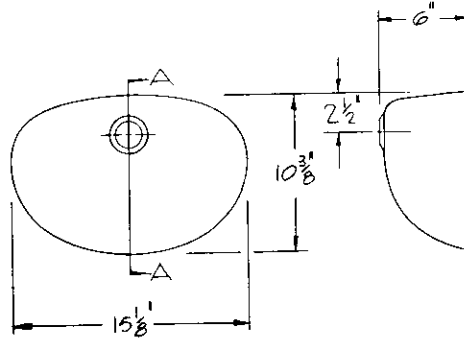
	CATALOG No.	DESCRIPTION	LIST PRICE	
MALE	20073	108 - MINI PEARL		CAST WEIGHT SCALE 1" = 1'0" DATE 4-23-92
FEMALE	400737	FFF - MINI PEARL		
INSERT				
NAME	MINI-PEARL FLOATING BOWL - INTEGRAL			©1992 REF. B-PD-1217

ISSUED BY GRUBER SYSTEMS INC. 25636 AVE. STANFORD, VALENCIA, CA 91355
GRUBER SYSTEMS RESERVES THE RIGHT TO CHANGE THIS INFORMATION AT ANY TIME WITHOUT PRIOR NOTICE



	CATALOG No.	DESCRIPTION	LIST PRICE	
MALE	20004	108-EL PEARL		CAST WEIGHT SCALE 1" = 1'0" DATE 4-23-92
FEMALE	400047	FFF PEARL		
INSERT				
NAME	PEARL FLOATING BOWL - INTEGRAL		©1992	REF. B-PD-1216

ISSUED BY GRUBER SYSTEMS INC. 25636 AVE. STANFORD, VALENCIA, CA 91355
GRUBER SYSTEMS RESERVES THE RIGHT TO CHANGE THIS INFORMATION AT ANY TIME WITHOUT PRIOR NOTICE



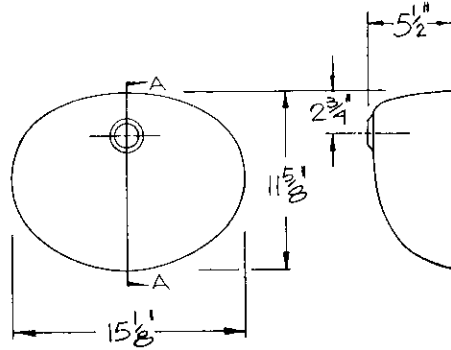
MODULAR VANITIES	
CATALOG NO.	DESCRIPTION
21201	117-Y-19
21202	117-Y-23
21205	117-Y-24
21206	117-Y-25
21203	117-Y-30
21204	117-Y-31

	CATALOG No.	DESCRIPTION	LIST PRICE	
MALE	20017	108-Y REDONDO		CAST WEIGHT SCALE 1" = 1'0" DATE 11-5-92
FEMALE	400167	FFF - Y/Y5		
INSERT				
NAME	"Y" FLOATING BOWL - REDONDO		©1992	REF. B-PD-

NEW PRODUCT ANNOUNCEMENT



ISSUED BY GRUBER SYSTEMS INC. 25636 AVE. STANFORD, VALENCIA, CA 91355
 GRUBER SYSTEMS RESERVES THE RIGHT TO CHANGE THIS INFORMATION AT ANY TIME WITHOUT PRIOR NOTICE

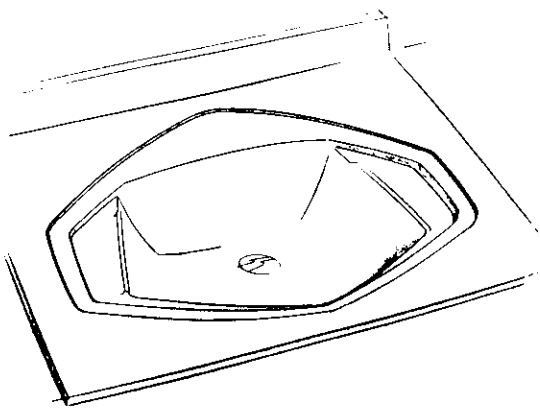
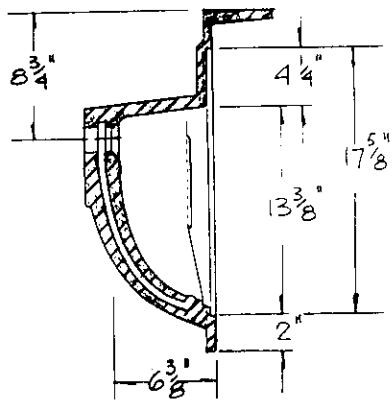
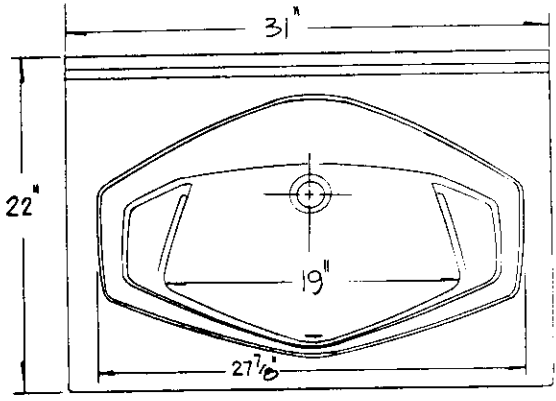


MODULAR VANITIES	
CATALOG NO.	DESCRIPTION
21652	119-SL-23
21653	119-SL-25
21654	119-SL-31
21657	119-SL-37
21665	119-SL-49

	CATALOG No.	DESCRIPTION	LIST PRICE
MALE	20019	108-SL CATALINA	
FEMALE	400197	FFF-SL	
INSERT			
NAME	"SL" FLOATING BOWL - INTEGRAL		

CAST WEIGHT
SCALE 1" = 1'0"
DATE 11-5-92
©1992 REF. B-PD-

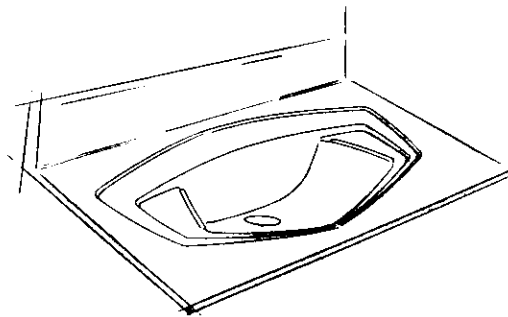
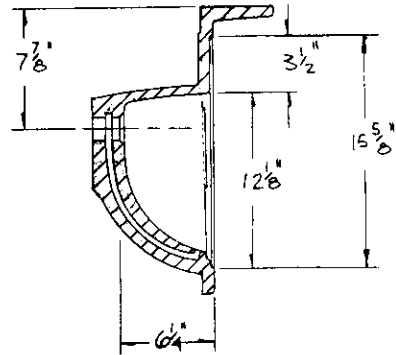
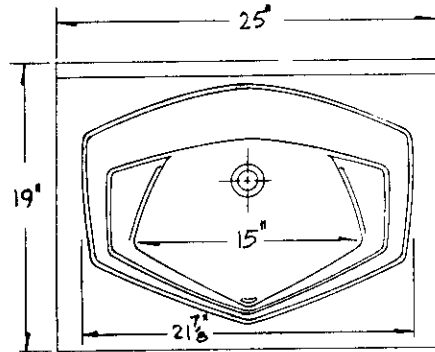
ISSUED BY GRUBER SYSTEMS INC. 25636 AVE. STANFORD, VALENCIA, CA 91355
 GRUBER SYSTEMS RESERVES THE RIGHT TO CHANGE THIS INFORMATION AT ANY TIME WITHOUT PRIOR NOTICE



MODULAR VANITIES	
CATALOG NO.	DESCRIPTION
20331	110-DD-31
20332	110-DD-37
20333	110-DD-43
20334	110-DD-49
20901	422-DD-31
20902	422-DD-37
20903	422-DD-43
20904	422-DD-49
20905	422-DD-61

CATALOG No.	DESCRIPTION	LIST PRICE	
MALE 20064	108-DD DIAMOND		CAST WEIGHT
FEMALE 400648	FFF-DD		SCALE 1" = 1'0"
INSERT			DATE 4-22-92
NAME "DD"	DIAMOND FLOATER BOWL - INTEGRAL	©1992	REF. B-PD-679 R

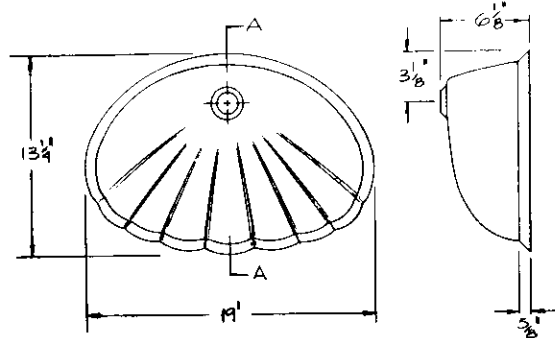
ISSUED BY GRUBER SYSTEMS INC. 25636 AVE. STANFORD, VALENCIA, CA 91355
GRUBER SYSTEMS RESERVES THE RIGHT TO CHANGE THIS INFORMATION AT ANY TIME WITHOUT PRIOR NOTICE



MODULAR VANITIES	
CATALOG NO.	DESCRIPTION
21441	119-LDD-25
21442	119-LDD-31
21443	119-LDD-37
21445	119-LDD-49
21871	419-LDD-25
21872	419-LDD-31
21873	419-LDD-37
21874	419-LDD-43
21875	419-LDD-49

CATALOG No.	DESCRIPTION	LIST PRICE	
MALE 20069	108-LDD LITTLE DIAMOND		CAST WEIGHT
FEMALE 400697	FFF-LDD		SCALE 1" = 1'0"
INSERT			DATE 4-22-92
NAME "LDD" DIAMOND FLOATER BOWL - INTEGRAL		©1992	REF. B-PD-085 R

ISSUED BY GRUBER SYSTEMS INC. 25636 AVE. STANFORD, VALENCIA, CA 91355
GRUBER SYSTEMS RESERVES THE RIGHT TO CHANGE THIS INFORMATION AT ANY TIME WITHOUT PRIOR NOTICE

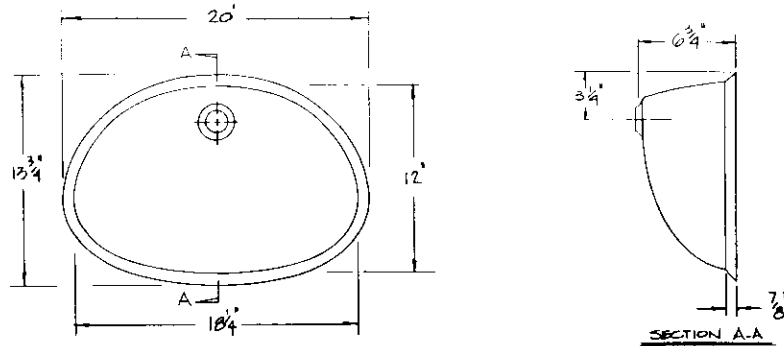


20076 S SMALL CANADIAN SHELL BOWL SHOWN

20076	108-CANADIAN SHELL-LG	
400758	FFF-CAN. OVAL/SHELL-LG	

	CATALOG No.	DESCRIPTION	LIST PRICE	
MALE	20076 S	108-CANADIAN SHELL-SML		CAST WEIGHT SCALE 1" = 1'0" DATE 6-11-93
FEMALE	400758 S	FFF-CAN. OVAL/SHELL-SML		
INSERT				
NAME	108 CANADIAN SHELL - SMALL		©1992	REF. B-PD-1086

ISSUED BY GRUBER SYSTEMS INC. 25636 AVE. STANFORD, VALENCIA, CA 91355
GRUBER SYSTEMS RESERVES THE RIGHT TO CHANGE THIS INFORMATION AT ANY TIME WITHOUT PRIOR NOTICE

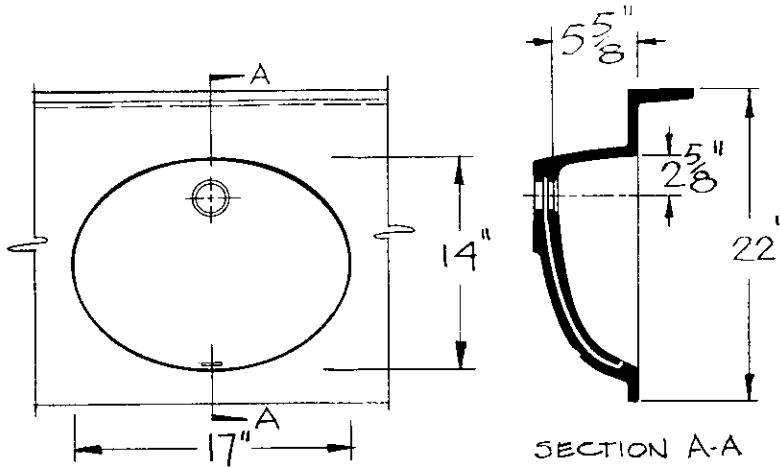


20075 LARGE CANADIAN OVAL BOWL SHOWN.

20075 S	108-CANADIAN OVAL-SML	
400758 S	FFF-CAN. OVAL/SHELL-SML	

	CATALOG No.	DESCRIPTION	LIST PRICE	
MALE	20075	108-CANADIAN OVAL-LG		CAST WEIGHT SCALE 1" = 1'0" DATE 6-8-93
FEMALE	400758	FFF-CAN. OVAL/SHELL-LG		
INSERT				
NAME	108 CANADIAN OVAL - LARGE			©1992 REF. B-PD-856

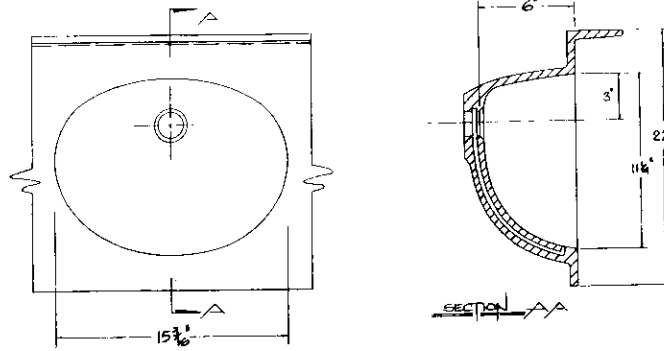
25636 AVE. STANFORD, VALENCIA, CA 91355
ISSUED BY GRUBER SYSTEMS INC.
GRUBER SYSTEMS RESERVES THE RIGHT TO CHANGE THIS INFORMATION AT ANY TIME WITHOUT PRIOR NOTICE



MODULAR VANITIES			
CATALOG NO.	DESCRIPTION	CATALOG NO.	DESCRIPTION
20251	110-L-25	20651	111-L-25
20252	110-L-31	20652	111-L-31
20253	110-L-37	20653	111-L-37
20254	110-L-37LB	20656	111-L-43
20255	110-L-37RB	20659	111-L-49
20256	110-L-43	20662	111-L-61
20259	110-L-49	20663	111-L-61-LB
20262	110-L-61	20664	111-L-61-RB
20263	110-L-61-DB30	20665	111-L-61-DB30
20265	110-L-73	20670	111-L-73
20268	110-L-120	20671	111-L-73-DB36
		20678	111-L-86
		20679	111-L-86-LB
		20680	111-L-86-RB
		20681	111-L-86-DB30
		20682	111-L-86-DB36
		20683	111-L-86-DB48
		20690	111-L-120

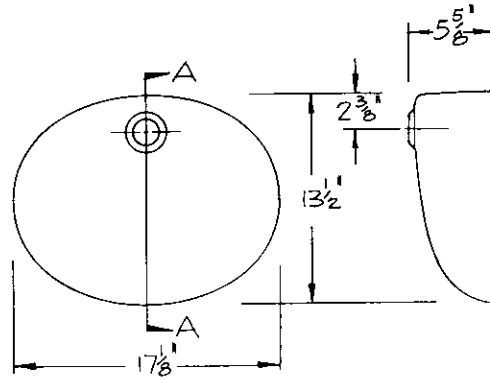
	CATALOG No.	DESCRIPTION	LIST PRICE	
MALE	20010	108-L NEWPORT		CAST WEIGHT SCALE 1" = 1'0" DATE 4-23-92
FEMALE	400517	FFF-111-L 5/8"		
INSERT				
NAME	"L" FLOATING BOWL - INTEGRAL			©1992 REF. B-PD-B30

ISSUED BY GRUBER SYSTEMS INC. 25636 AVE. STANFORD, VALENCIA, CA 91355
GRUBER SYSTEMS RESERVES THE RIGHT TO CHANGE THIS INFORMATION AT ANY TIME WITHOUT PRIOR NOTICE



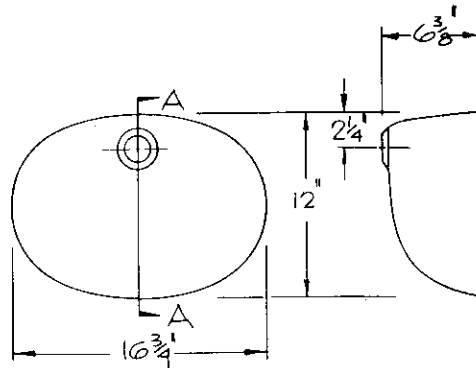
	CATALOG No.	DESCRIPTION	LIST PRICE	
MALE	20007	108-G CARMEL		CAST WEIGHT SCALE 1" = 1'0" DATE 4-23-92
FEMALE	400077	FFF-G		
INSERT				
NAME	"G" FLOATING BOWL - INTEGRAL		©1992	REF. B-PD-947

ISSUED BY GRUBER SYSTEMS INC. 25636 AVE. STANFORD, VALENCIA, CA 91355
GRUBER SYSTEMS RESERVES THE RIGHT TO CHANGE THIS INFORMATION AT ANY TIME WITHOUT PRIOR NOTICE



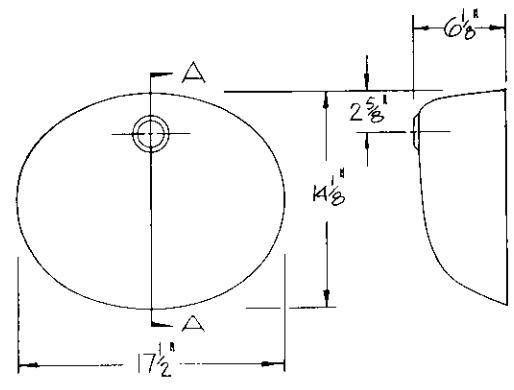
	CATALOG No.	DESCRIPTION	LIST PRICE		CAST WEIGHT
MALE	20057	108-FAB OVAL CORONADO			
FEMALE	400558	FFF - FAB $3/4$ "			SCALE 1" = 1'0"
INSERT					DATE 5-11-92
NAME	FAB OVAL FLOATING BOWL - INTEGRAL		©1992		REF. B-PD-

ISSUED BY GRUBER SYSTEMS INC. 25636 AVE. STANFORD, VALENCIA, CA 91355
GRUBER SYSTEMS RESERVES THE RIGHT TO CHANGE THIS INFORMATION AT ANY TIME WITHOUT PRIOR NOTICE



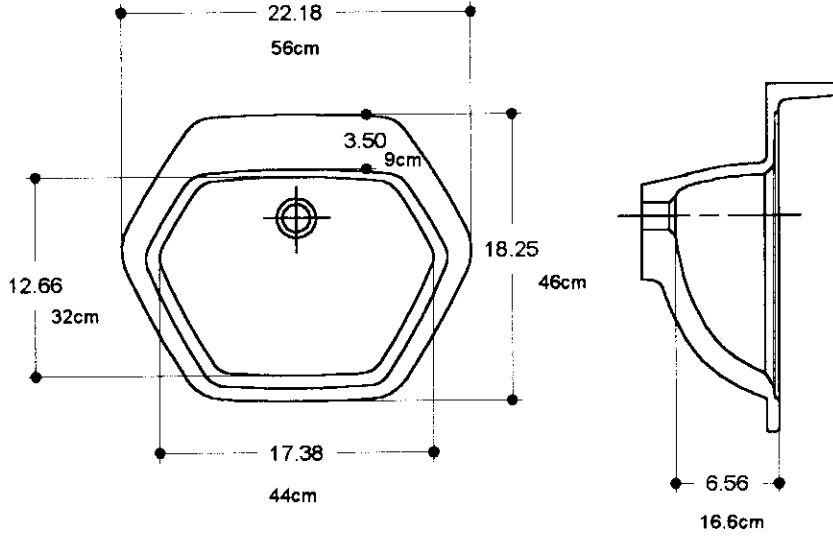
	CATALOG No.	DESCRIPTION	LIST PRICE	
MALE	20044	108-V VENTURA		CAST WEIGHT SCALE 1" = 1'0" DATE 5-11-92
FEMALE	400447	FFF-V		
INSERT				
NAME	"V" FLOATING BOWL - INTEGRAL		©1992	REF. B-PD-

ISSUED BY GRUBER SYSTEMS INC. 25636 AVE. STANFORD, VALENCIA, CA 91355
 GRUBER SYSTEMS RESERVES THE RIGHT TO CHANGE THIS INFORMATION AT ANY TIME WITHOUT PRIOR NOTICE



	CATALOG No.	DESCRIPTION	LIST PRICE	
MALE	20029	108-LL DEEP NEWPORT		CAST WEIGHT
FEMALE	400297	FFF - LL		SCALE 1" = 1'0"
INSERT				DATE 11-5-92
NAME	"LL" FLOATING BOWL - INTEGRAL		©1992	REF. B-PD-

GRUBER SYSTEMS RESERVES THE RIGHT TO CHANGE THIS INFORMATION AT ANY TIME WITHOUT PRIOR NOTICE. ISSUED BY GRUBER SYSTEMS INC., 25636 AVENUE STANFORD, VALENCIA, CA 91355, USA. COPYRIGHT 1995.



MOLD PART	CATALOG No.	DESCRIPTION
MALE	20008-M	108 HEX BOWL
FEMALE	400087-M	FFF 108 HEX W/FAU. LND.
NAME	108 HEXAGON BOWL 22" X 18"	
CAST WEIGHT	SCALE 1" = 1' 0"	DATE 3-3-95 PAGE No. BF-45