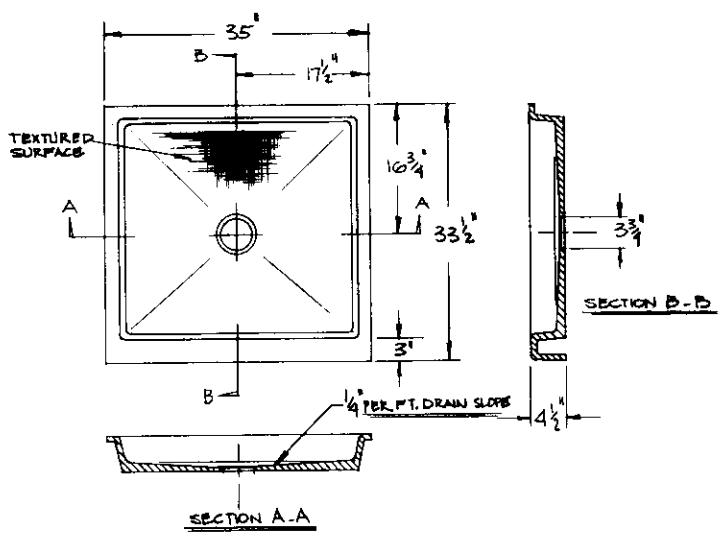
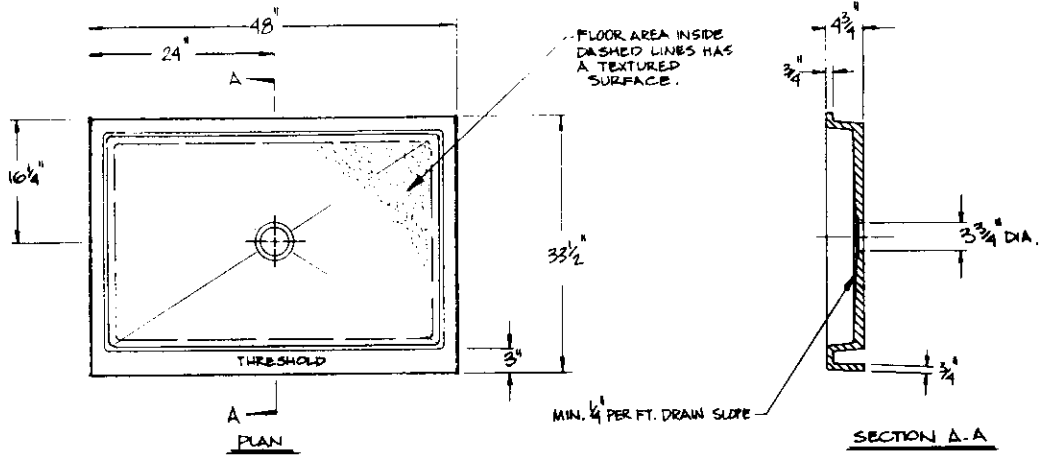


ISSUED BY GRUBER SYSTEMS INC. 25636 AVE. STANFORD, VALENCIA, CA 91355
GRUBER SYSTEMS RESERVES THE RIGHT TO CHANGE THIS INFORMATION AT ANY TIME WITHOUT PRIOR NOTICE



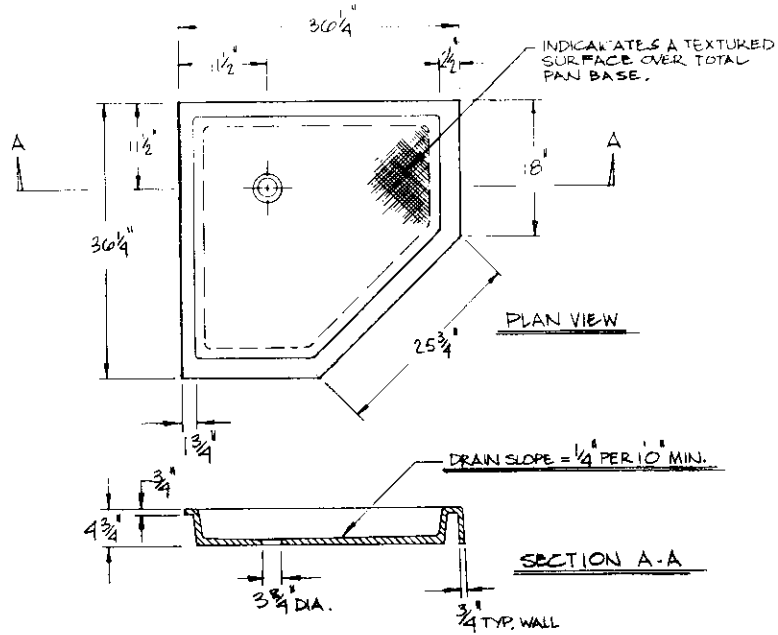
	CATALOG No.	DESCRIPTION	LIST PRICE		CAST WEIGHT
MALE	23001	1050-01			
FEMALE	430018	FF0-1050-01			SCALE 1/2" = 1'0"
INSERT					DATE 5-5-93
NAME	1050-01	SHOWER PAN 35" x 33 1/2"		©1992	REF. B-PD-1581

25636 AVE. STANFORD, VALENCIA, CA 91355
 GRUBER SYSTEMS RESERVES THE RIGHT TO CHANGE THIS INFORMATION AT ANY TIME WITHOUT PRIOR NOTICE



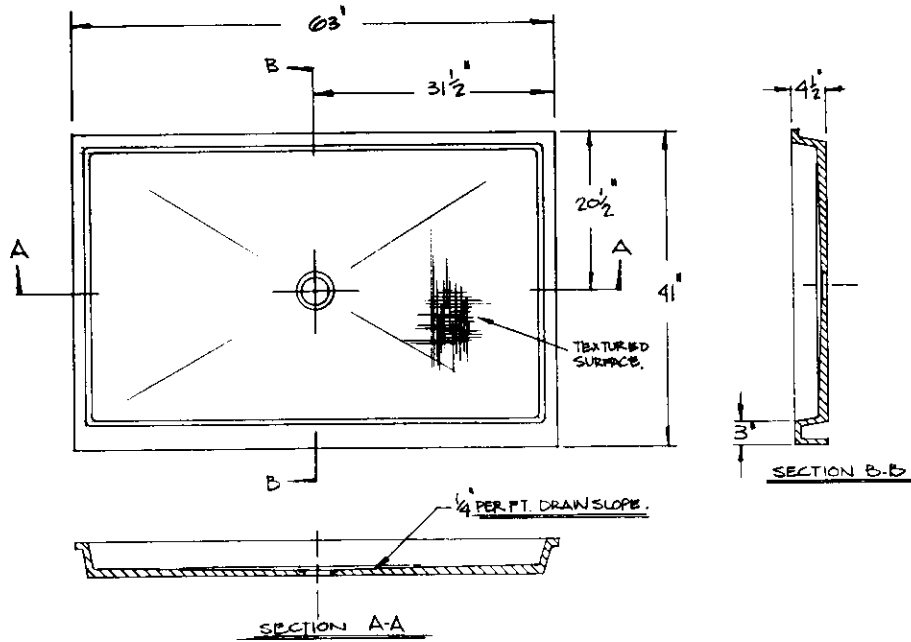
	CATALOG No.	DESCRIPTION	LIST PRICE	
MALE	23002	1050-02		CAST WEIGHT
FEMALE	430028	FF0-1050-02		SCALE 1/2" = 1'0"
INSERT				DATE 5-4-93
NAME	1050-02 SHOWER PAN 48" x 33 1/2"		©1992	REF. B-PD-1240

ISSUED BY GRUBER SYSTEMS INC. 25636 AVE. STANFORD, VALENCIA, CA 91355
GRUBER SYSTEMS RESERVES THE RIGHT TO CHANGE THIS INFORMATION AT ANY TIME WITHOUT PRIOR NOTICE



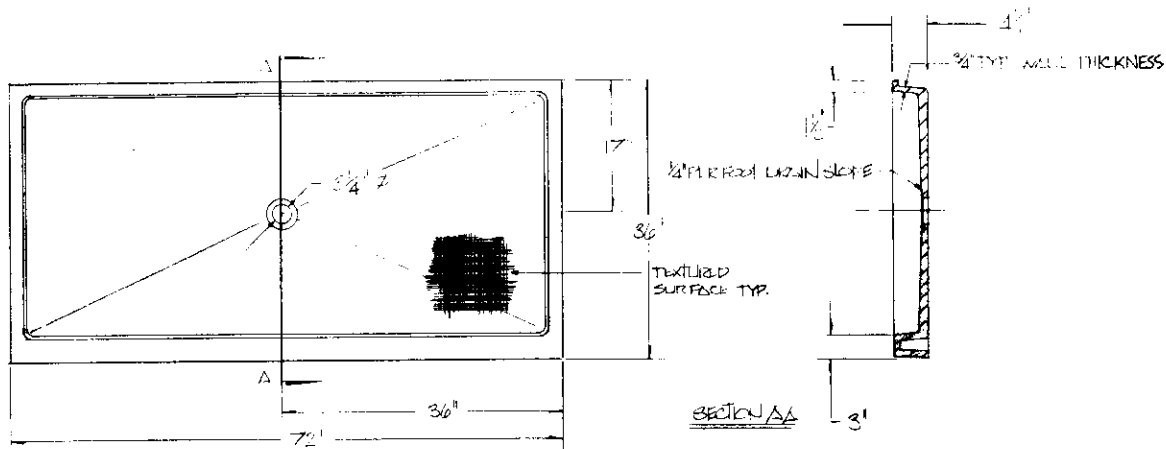
	CATALOG No.	DESCRIPTION	LIST PRICE	
MALE	23003	1050-03		CAST WEIGHT SCALE 1/2" = 1'0" DATE 5-4-93
FEMALE	430038	FFO-1050-03		
INSERT				
NAME	1050-03 SHOWER PAN 36 1/4" x 36 1/4" NEO.		©1992	REF. B-PD-1103

ISSUED BY GRUBER SYSTEMS INC.
 25636 AVE. STANFORD, VALENCIA, CA 91355
 GRUBER SYSTEMS RESERVES THE RIGHT TO CHANGE THIS INFORMATION AT ANY TIME WITHOUT PRIOR NOTICE

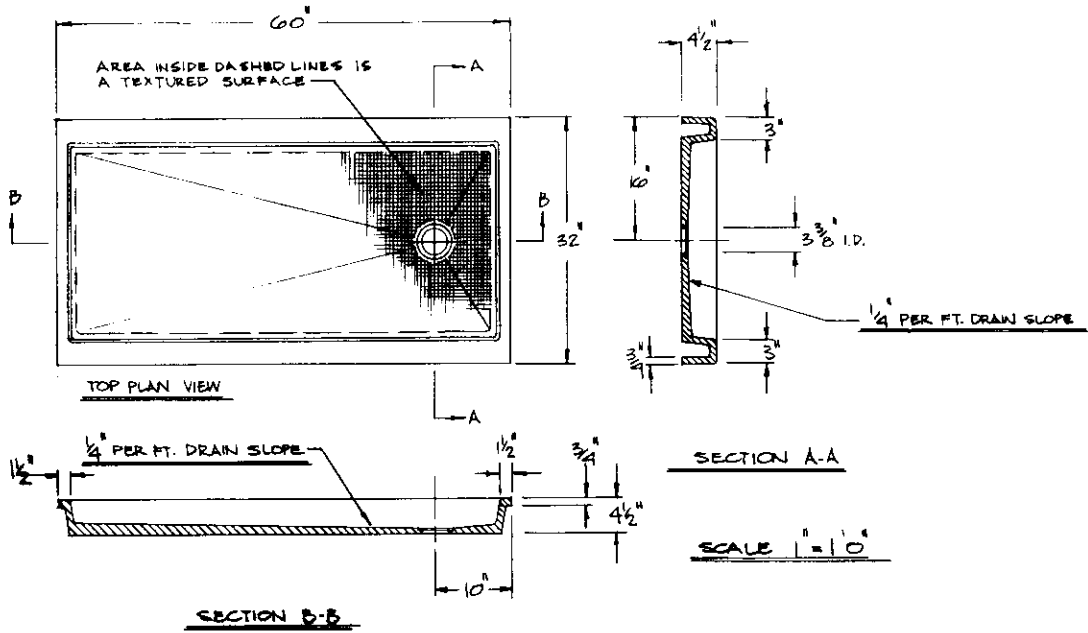


	CATALOG No.	DESCRIPTION	LIST PRICE	
MALE	23004	1050-04		CAST WEIGHT SCALE 1/2" x 1'0" DATE 5-5-93
FEMALE	430048	FF0-1050-04		
INSERT				
NAME	1050-04 SHOWER PAN 63"x41"		©1992	REF. B.PD-1582

ISSUED BY GRUBER SYSTEMS INC. 25636 AVE. STANFORD, VALENCIA, CA 91355
GRUBER SYSTEMS RESERVES THE RIGHT TO CHANGE THIS INFORMATION AT ANY TIME WITHOUT PRIOR NOTICE

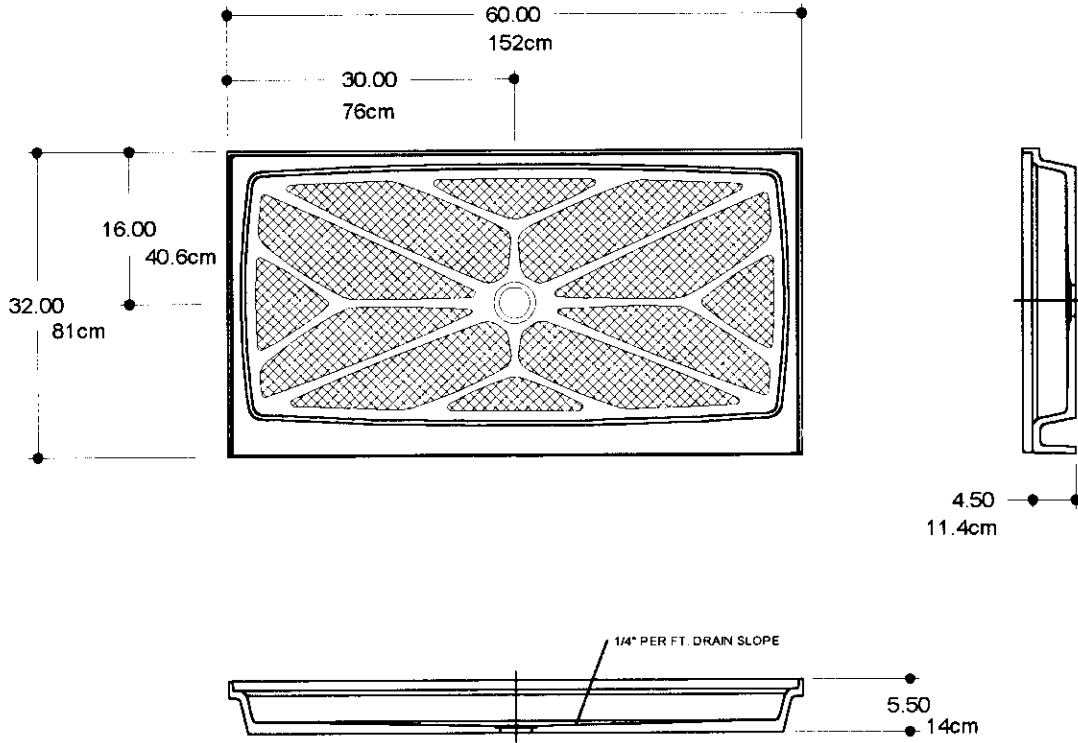


	CATALOG No.	DESCRIPTION	LIST PRICE	
MALE	23005	1050-05		CAST WEIGHT SCALE 1/2" = 10" DATE 5-4-93
FEMALE	430058	FFO-1050-05		
INSERT				
NAME	1050-05 SHOWER PAN 72" x 36"			©1992 REF. B-PD-1067



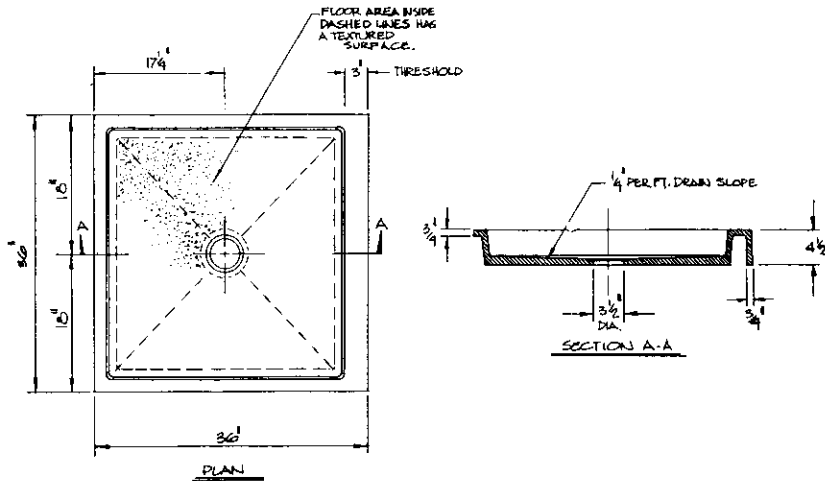
	CATALOG No.	DESCRIPTION	LIST PRICE		CAST WEIGHT
MALE	23006	1050-06			
FEMALE	430068	FFO-1050-06			SCALE 1/2" = 1'
INSERT					DATE 5-4-93
NAME	1050-06 SHOWER PAN 60" x 32"			©1992	REF. B-PD-1269

GRUBER SYSTEMS RESERVES THE RIGHT TO CHANGE THIS INFORMATION AT ANY TIME WITHOUT PRIOR NOTICE. ISSUED BY GRUBER SYSTEMS INC., 25636 AVENUE STANFORD, VALENCIA, CA 91355, USA. COPYRIGHT 1995.



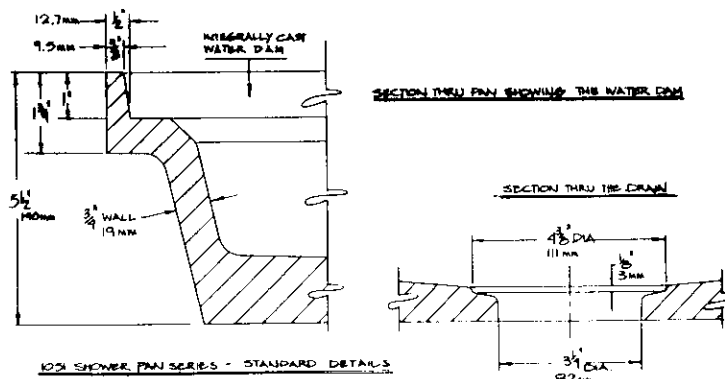
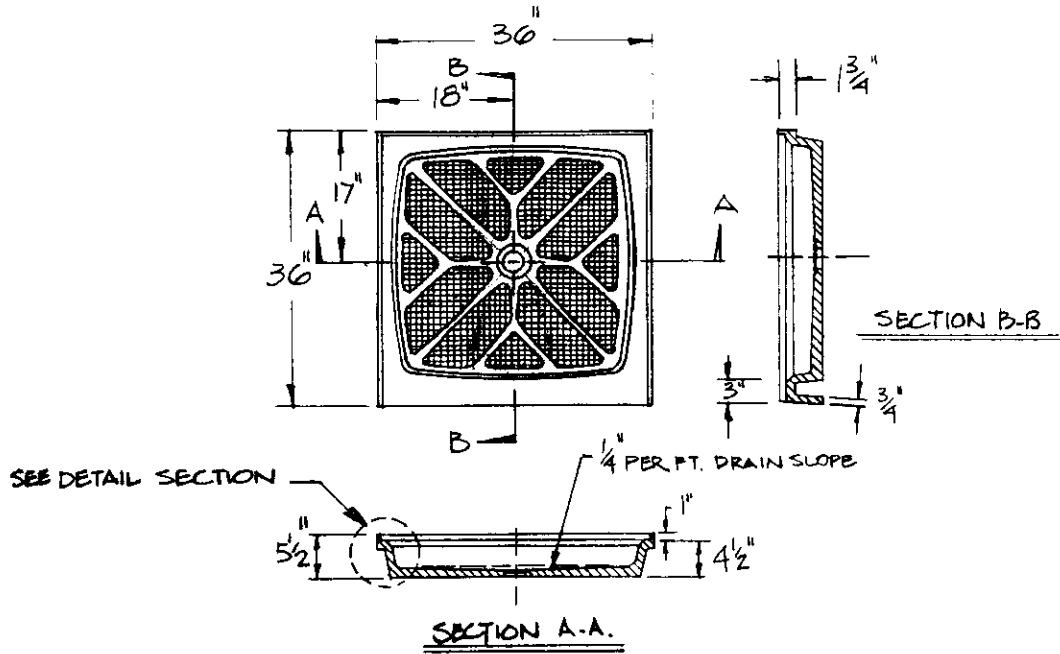
MOLD PART	CATALOG No.	DESCRIPTION
MALE	23077-M	1051-26-M-T60 X 32
FEMALE	430778-M	INSERT 1051-26-M
NAME	1051- 26 SHOWER PAN T60" X 32" (152cm X 81cm)	
CAST WEIGHT	SCALE 1/2" = 1' 0"	DATE 3-7-95
		PAGE No. SP-6A

ISSUED BY GRUBER SYSTEMS INC. 25636 AVE. STANFORD, VALENCIA, CA 91355
 GRUBER SYSTEMS RESERVES THE RIGHT TO CHANGE THIS INFORMATION AT ANY TIME WITHOUT PRIOR NOTICE



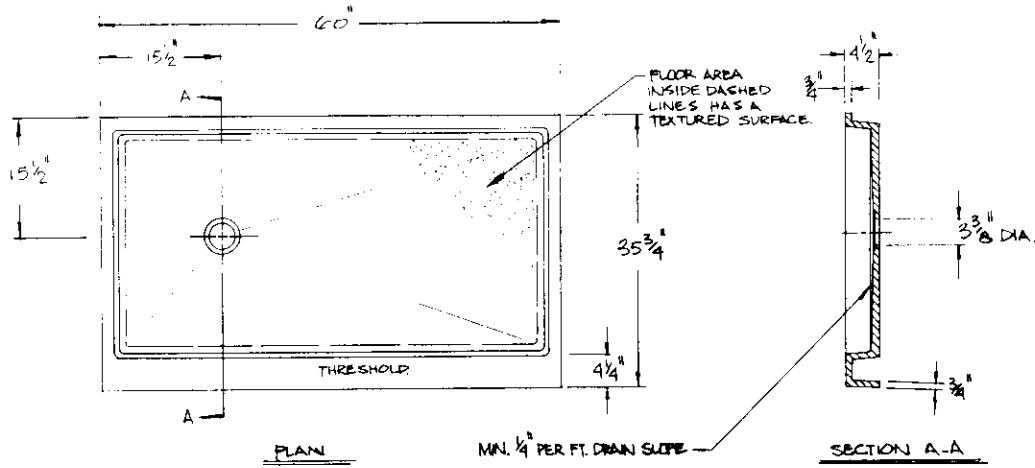
	CATALOG No.	DESCRIPTION	LIST PRICE	
MALE	23007	1050-07		CAST WEIGHT SCALE 1/2" = 1'0" DATE 5-4-93
FEMALE	430078	FF0-1050-07		
INSERT				
NAME	1050-07 SHOWER PAN 36" x 36"		©1992	REF. B-PD-1241

25636 AVE. STANFORD, VALENCIA, CA 91355
 ISSUED BY GRUBER SYSTEMS INC.
 GRUBER SYSTEMS RESERVES THE RIGHT TO CHANGE THIS INFORMATION AT ANY TIME WITHOUT PRIOR NOTICE



	CATALOG No.	DESCRIPTION	LIST PRICE	
MALE	23056	1051-06 36"x36"		CAST WEIGHT
FEMALE				SCALE
INSERT	430568	FFL 1051-06 INSERT		DATE 4-29-93
NAME	1051-06 SHOWER PAN 36"x36"			©1992 REF. B-PD-1578

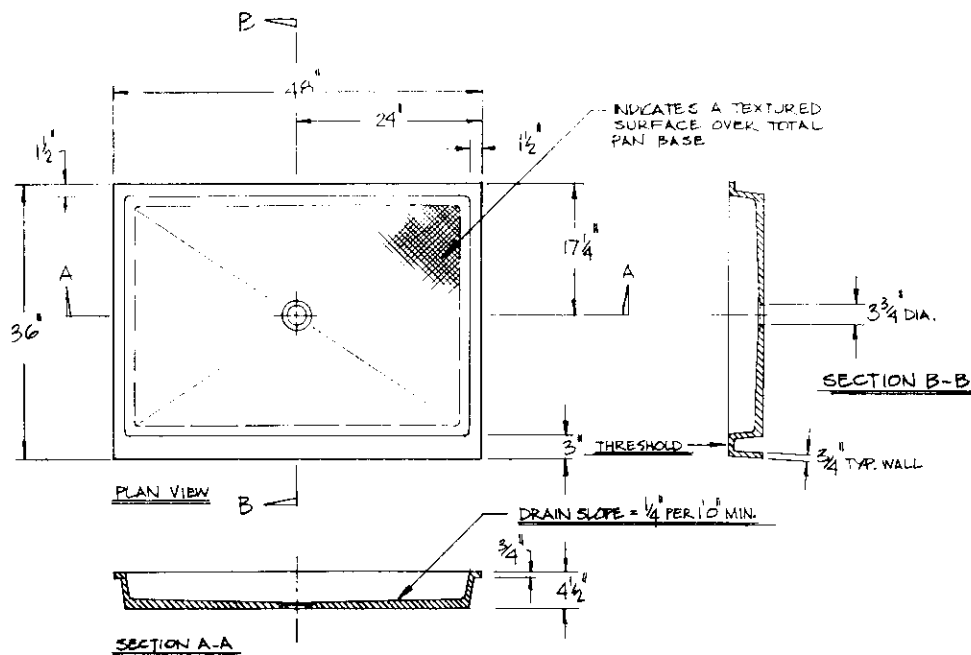
ISSUED BY GRUBER SYSTEMS INC. 25636 AVE. STANFORD, VALENCIA, CA 91355
GRUBER SYSTEMS RESERVES THE RIGHT TO CHANGE THIS INFORMATION AT ANY TIME WITHOUT PRIOR NOTICE



	CATALOG No.	DESCRIPTION	LIST PRICE		CAST WEIGHT
MALE	23008	1050-08			
FEMALE	430088	FFO-1050-08			SCALE 1/2" = 1'0"
INSERT					DATE 5-4-93
NAME	1050-08 SHOWER PAN 60" X 35 3/4"			©1992	REF. B-PD-1242

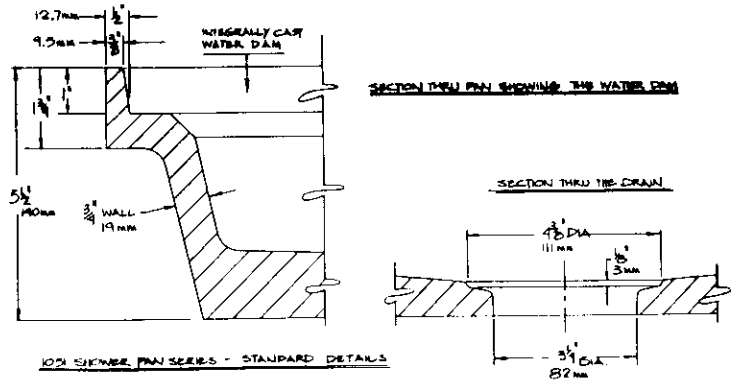
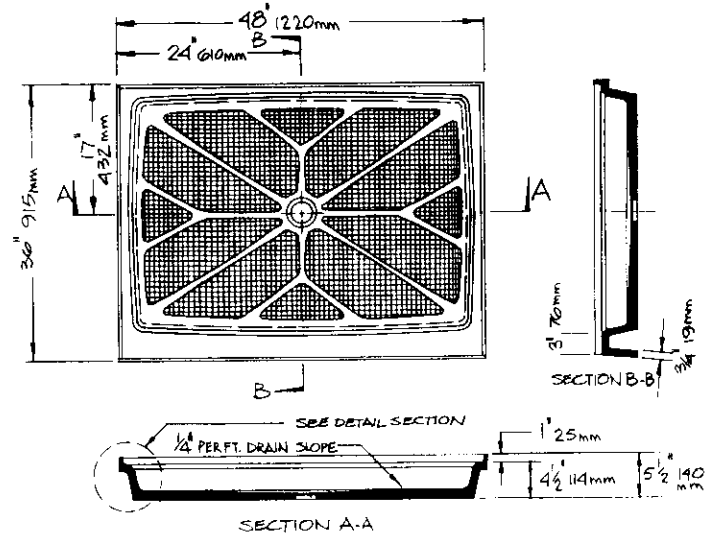
25636 AVE. STANFORD, VALENCIA, CA 91355

ISSUED BY GRUBER SYSTEMS INC.
GRUBER SYSTEMS RESERVES THE RIGHT TO CHANGE THIS INFORMATION AT ANY TIME WITHOUT PRIOR NOTICE



	CATALOG No.	DESCRIPTION	LIST PRICE	
MALE	23009	1050-09		CAST WEIGHT SCALE 1/2" = 1'0" DATE 5-4-93
FEMALE	430098	FFO-1050-09		
INSERT				
NAME	1050-09 SHOWER PAN 48" x 36"			©1992 REF. B-PD-1164

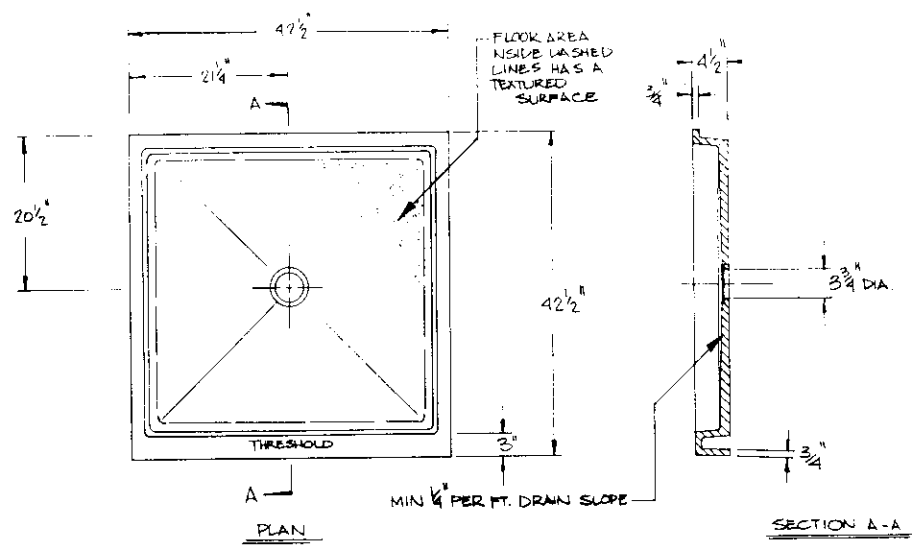
25636 AVE. STANFORD, VALENCIA, CA 91355
 GRUBER SYSTEMS RESERVES THE RIGHT TO CHANGE THIS INFORMATION AT ANY TIME WITHOUT PRIOR NOTICE
 ISSUED BY GRUBER SYSTEMS INC.



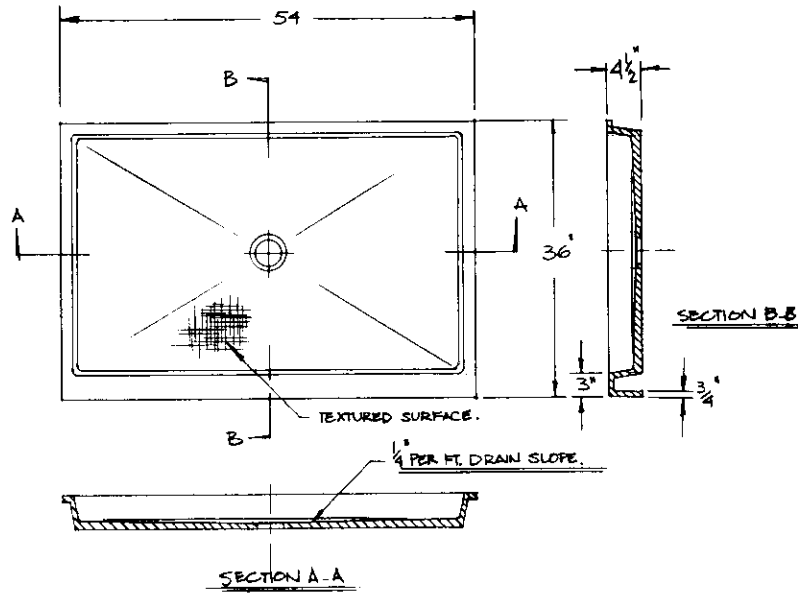
102 SHOWER PAN SERIES - STANDARD DETAILS

	CATALOG No.	DESCRIPTION	LIST PRICE	
MALE	23058	1051-08 48"x36"		CAST WEIGHT
FEMALE				SCALE 1/2" = 1'0"
INSERT	23058B	FFL-1051-08 INSERT		DATE 4-28-93
NAME	1051-08	SHOWERPAN 48"x36"	©1992	REF. B-PD-1576

ISSUED BY GRUBER SYSTEMS INC. 25636 AVE. STANFORD, VALENCIA, CA 91355
GRUBER SYSTEMS RESERVES THE RIGHT TO CHANGE THIS INFORMATION AT ANY TIME WITHOUT PRIOR NOTICE

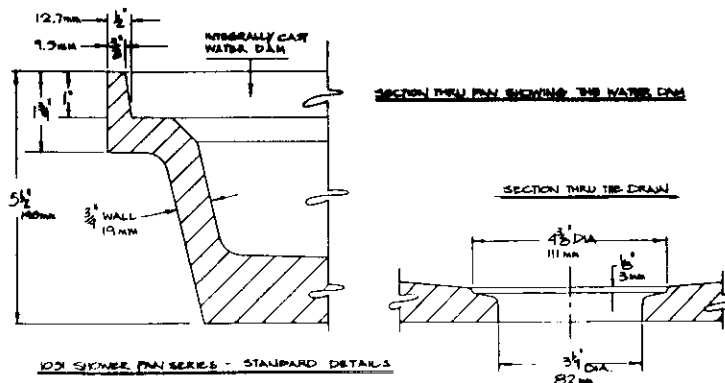
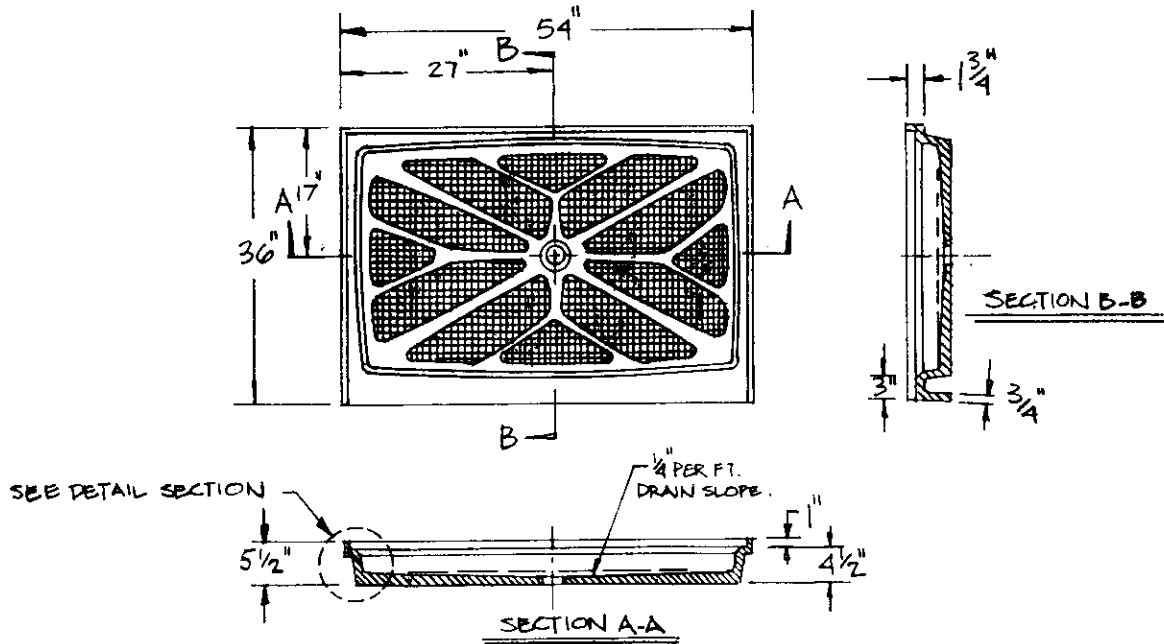


	CATALOG No.	DESCRIPTION	LIST PRICE	
MALE	23010	1050-10		CAST WEIGHT SCALE 1/2" = 1'0" DATE 5-4-93
FEMALE	430108	FFO-1050-10		
INSERT				
NAME	1050-10 SHOWER PAN 42 1/2" X 42 1/2"		©1992	REF. B-PD-1243



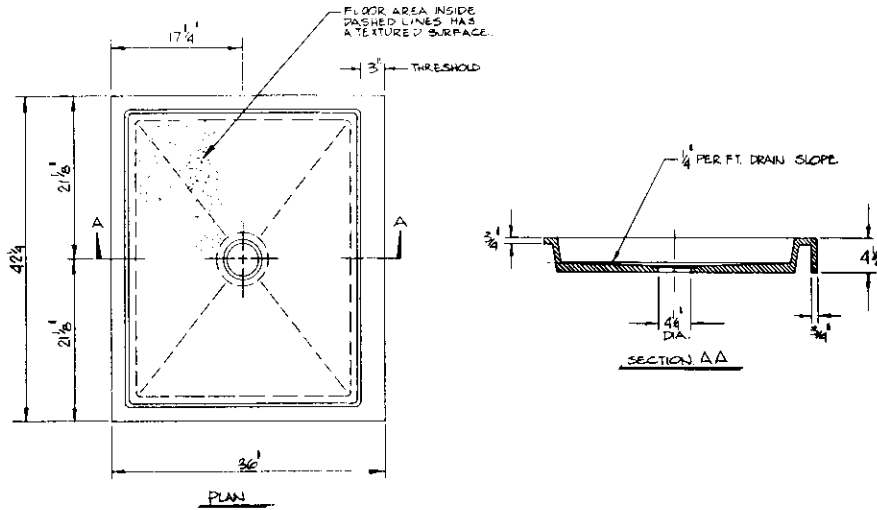
	CATALOG No.	DESCRIPTION	LIST PRICE	
MALE	23011	1050-11		CAST WEIGHT SCALE 1/2" = 1'0" DATE 5-5-93
FEMALE	430118	F#0-1050-11		
INSERT				
NAME	1050-11	SHOWER PAN 54" x 36"	©1992	REF. B-PD-1583

ISSUED BY GRUBER SYSTEMS INC. 25636 AVE. STANFORD, VALENCIA, CA 91355
GRUBER SYSTEMS RESERVES THE RIGHT TO CHANGE THIS INFORMATION AT ANY TIME WITHOUT PRIOR NOTICE



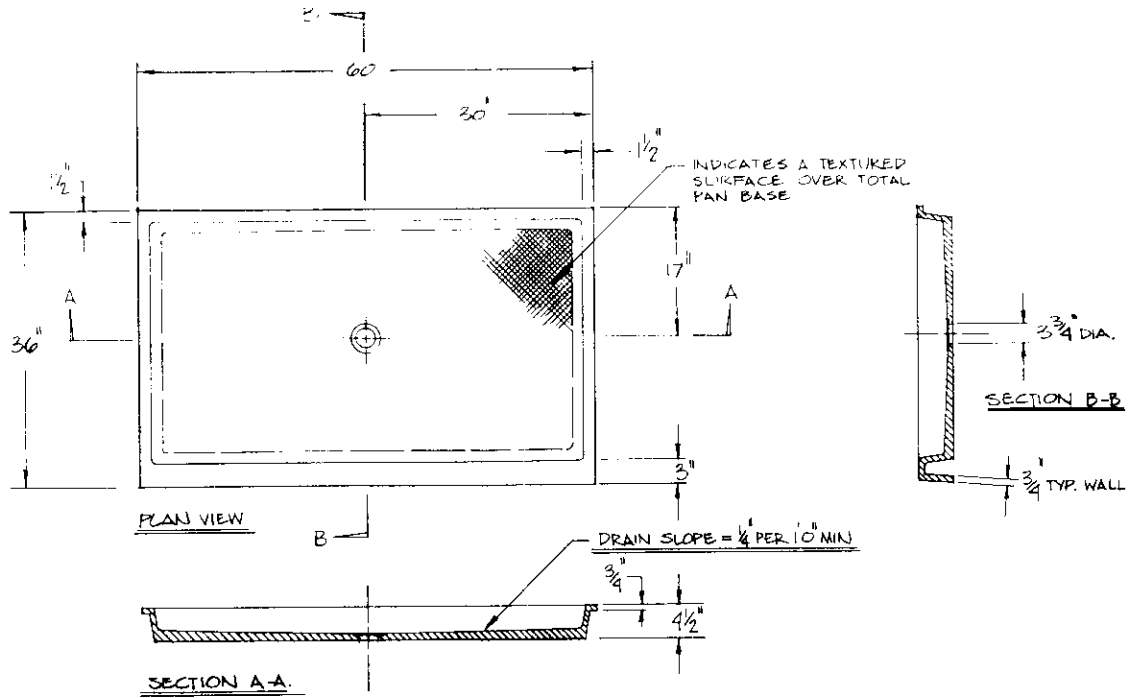
	CATALOG No.	DESCRIPTION	LIST PRICE	
MALE	23059	1051-09 54" x 36"		CAST WEIGHT
FEMALE				SCALE 1/2" = 1'0"
INSERT	430598	FFL-1051-09 INSERT		DATE 4-29-93
NAME	1051-09 SHOWER PAN 54" x 36"		©1992	REF. B-PD-1578

ISSUED BY GRUBER SYSTEMS INC. 25636 AVE. STANFORD, VALENCIA, CA 91355
 GRUBER SYSTEMS RESERVES THE RIGHT TO CHANGE THIS INFORMATION AT ANY TIME WITHOUT PRIOR NOTICE

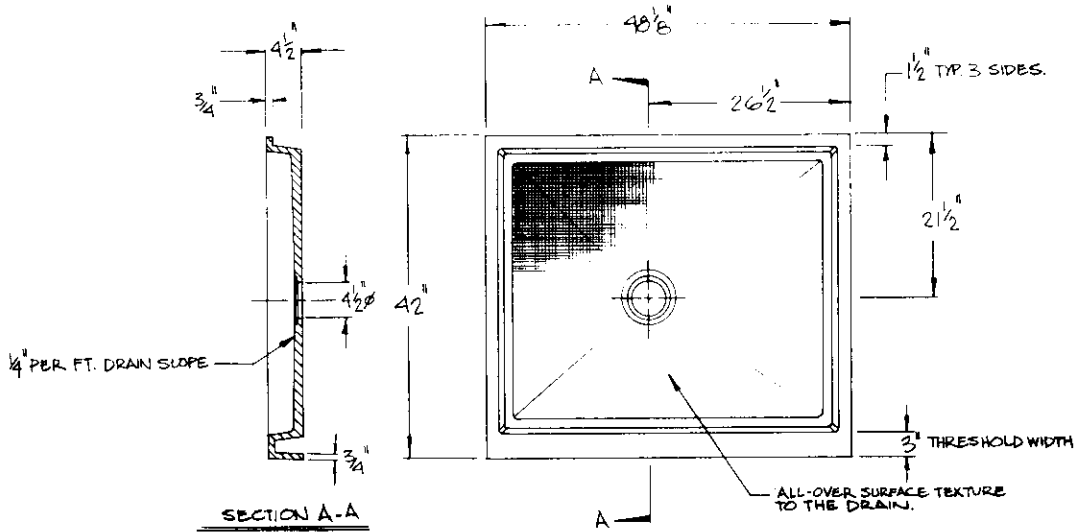


	CATALOG No.	DESCRIPTION	LIST PRICE	
MALE	23012	1050-12		CAST WEIGHT SCALE 1/2" = 1'0" DATE 5-5-93
FEMALE	430128	FFO-1050-12		
INSERT				
NAME	1050-12 SHOWER PAN 42 1/4" x 36"			©1992 REF. B-PD-865

ISSUED BY GRUBER SYSTEMS INC. 25636 AVE. STANFORD, VALENCIA, CA 91355
GRUBER SYSTEMS RESERVES THE RIGHT TO CHANGE THIS INFORMATION AT ANY TIME WITHOUT PRIOR NOTICE

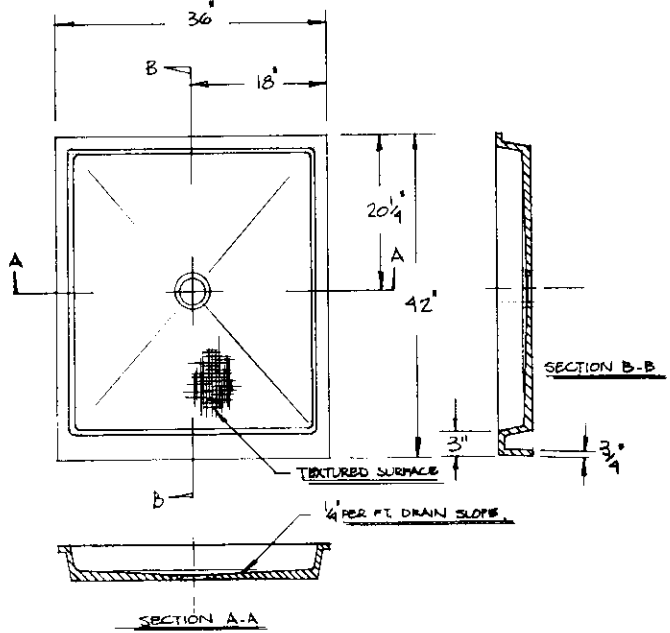


	CATALOG No.	DESCRIPTION	LIST PRICE	
MALE	23013	1050-13		CAST WEIGHT SCALE 1/2" = 1' 0" DATE 5-5-93
FEMALE	430138	FFO-1050-13		
INSERT				
NAME	1050-13 SHOWER PAN 60"x36"			©1992 REF. B-PD-1165



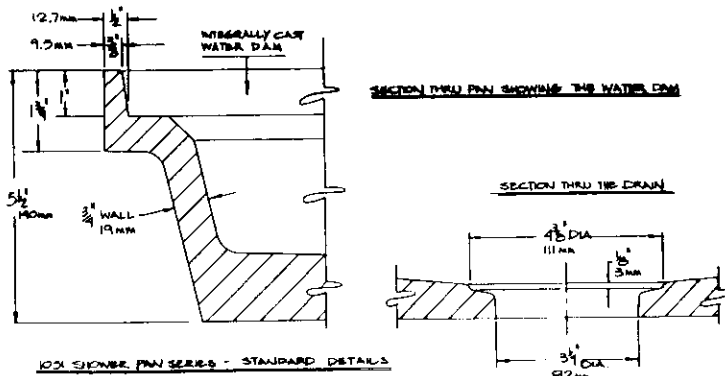
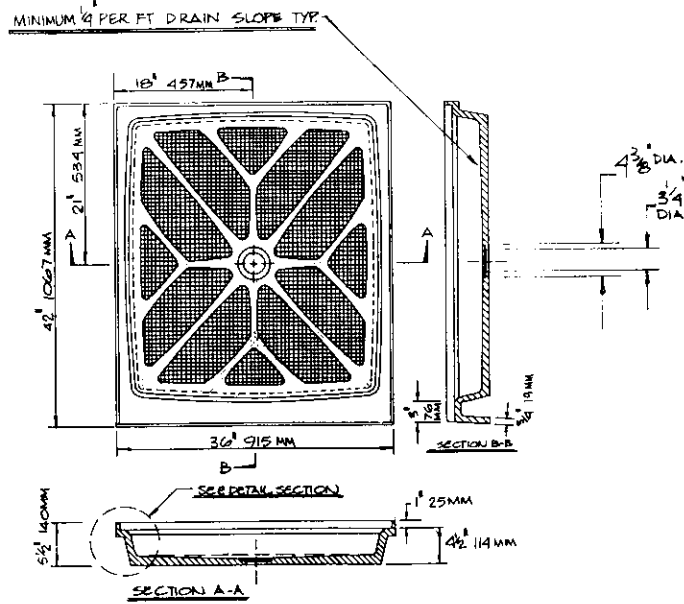
	CATALOG No.	DESCRIPTION	LIST PRICE	
MALE	23014	1050-14		CAST WEIGHT SCALE 1/2" = 1'0" DATE 5-5-93
FEMALE	430148	FFO-1051-14		
INSERT				
NAME	1050-14 SHOWER PAN 48" x 42"			©1992 REF. B-PD-1197

ISSUED BY GRUBER SYSTEMS INC. 25636 AVE. STANFORD, VALENCIA, CA 91355
GRUBER SYSTEMS RESERVES THE RIGHT TO CHANGE THIS INFORMATION AT ANY TIME WITHOUT PRIOR NOTICE



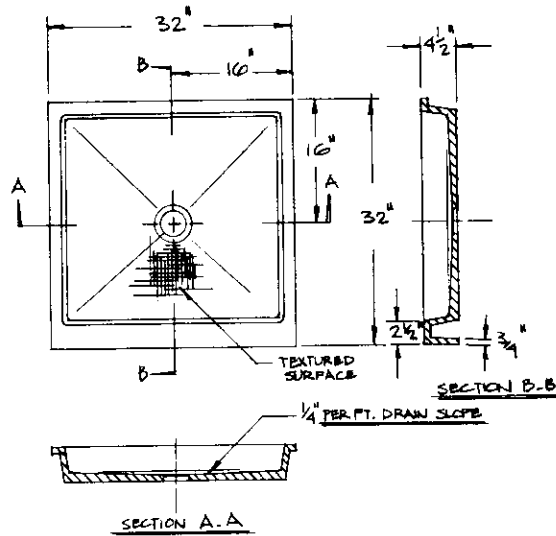
	CATALOG No.	DESCRIPTION	LIST PRICE	
MALE	23015	1050-15		CAST WEIGHT SCALE 1/2" = 1'0" DATE 5-5-93
FEMALE	430158	FFO-1050-15		
INSERT				
NAME	1050-15 SHOWER PAN 36" x 42"		©1992	REF. B-PD-1584

25636 AVE. STANFORD, VALENCIA, CA 91355
 ISSUED BY GRUBER SYSTEMS INC.
 GRUBER SYSTEMS RESERVES THE RIGHT TO CHANGE THIS INFORMATION AT ANY TIME WITHOUT PRIOR NOTICE

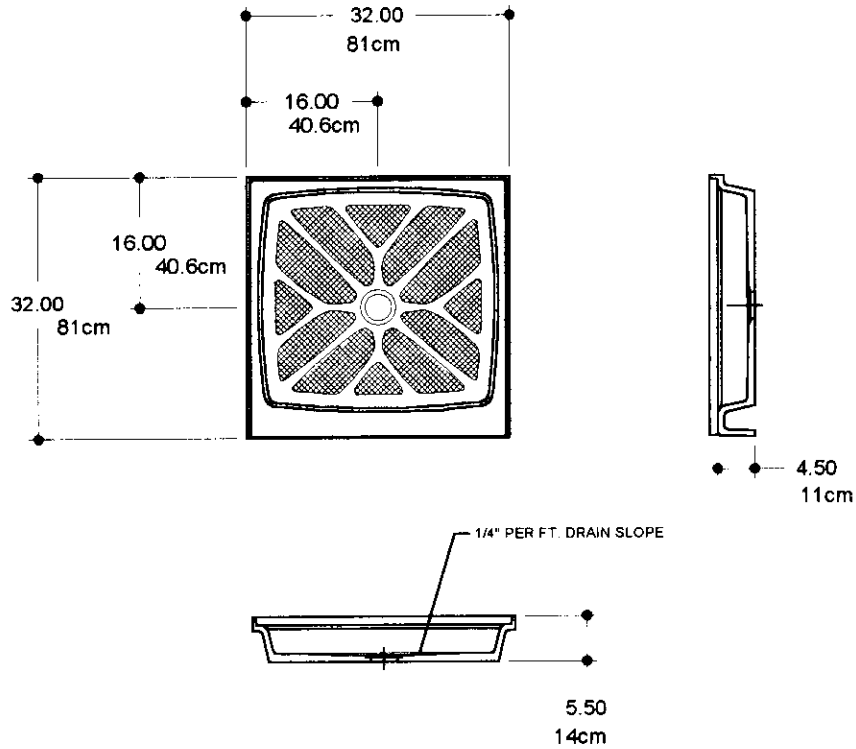


	CATALOG No.	DESCRIPTION	LIST PRICE	
MALE	23053	1051-03 36"x42"		CAST WEIGHT SCALE 1/2" = 1'0" DATE 4-28-93
FEMALE				
INSERT	43053B	FPL 1051-03 INSERT		
NAME	1051-03	SHOWER PAN 36"x42"		©1992 REF. B-PD-1363

ISSUED BY GRUBER SYSTEMS INC. 25636 AVE. STANFORD, VALENCIA, CA 91355
 GRUBER SYSTEMS RESERVES THE RIGHT TO CHANGE THIS INFORMATION AT ANY TIME WITHOUT PRIOR NOTICE

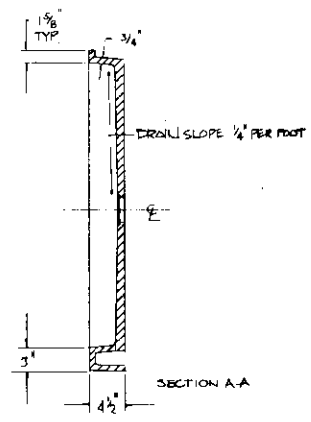
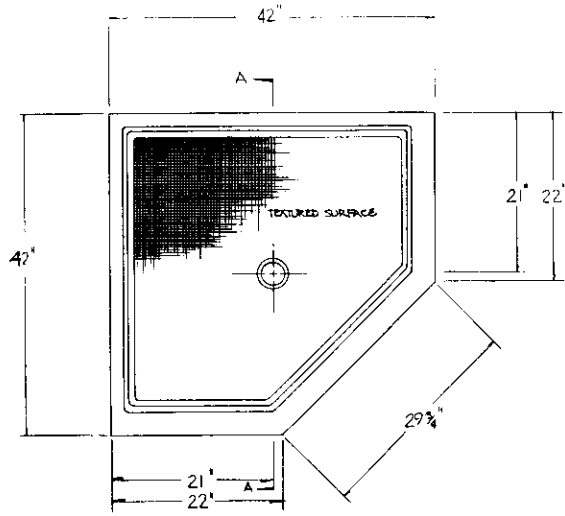


	CATALOG No.	DESCRIPTION	LIST PRICE		CAST WEIGHT
MALE	23016	1050-16			
FEMALE	430168	FF0-1050-16			SCALE 1/2" = 1'0"
INSERT					DATE 5-5-93
NAME	1050-16	SHOWER PAN	32" x 32"	©1992	REF. B-PD-1585



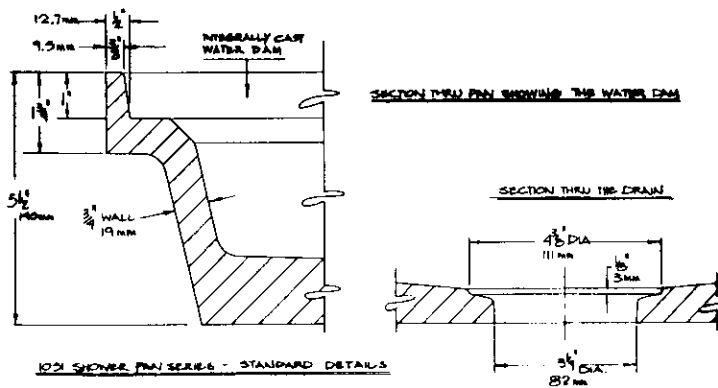
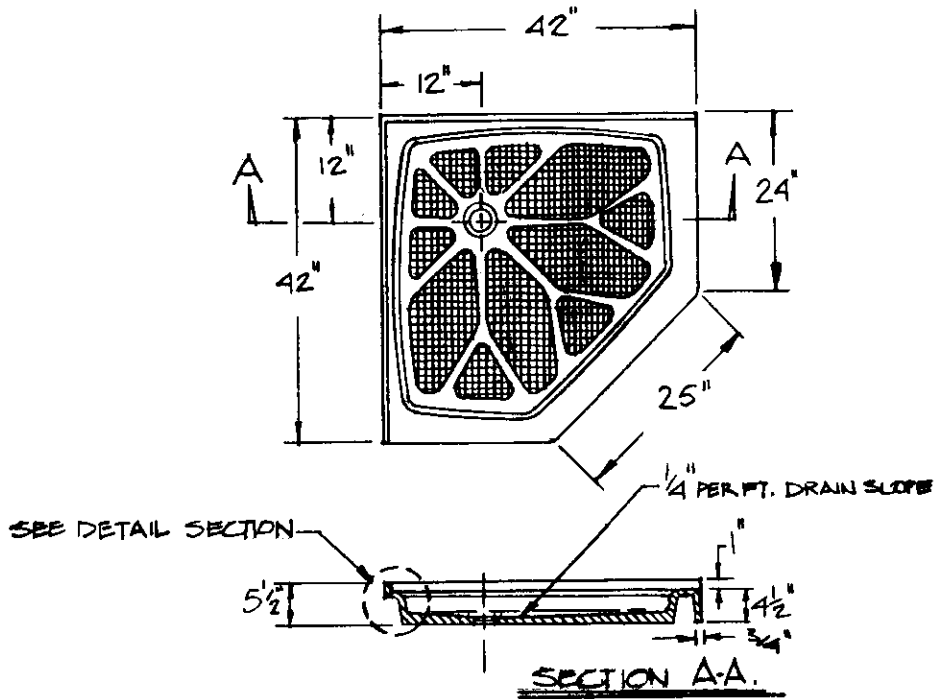
MOLD PART	CATALOG No.	DESCRIPTION
MALE	23075-M	1051-24-M 32 X 32
INSERT	430758-M	INSERT 1051-24-M
NAME	1051-24 SHOWER PAN 32" X 32" (81cm X 81cm)	
CAST WEIGHT	SCALE 1/2" = 1' 0"	DATE 3-7-95
		PAGE No. SP-16A

ISSUED BY GRUBER SYSTEMS INC. 25636 AVE. STANFORD, VALENCIA, CA 91355
GRUBER SYSTEMS RESERVES THE RIGHT TO CHANGE THIS INFORMATION AT ANY TIME WITHOUT PRIOR NOTICE



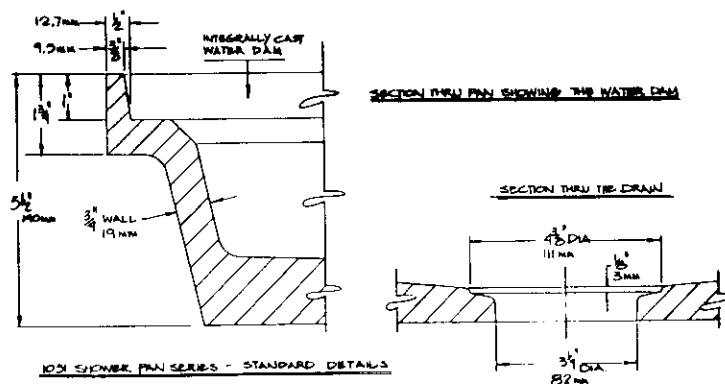
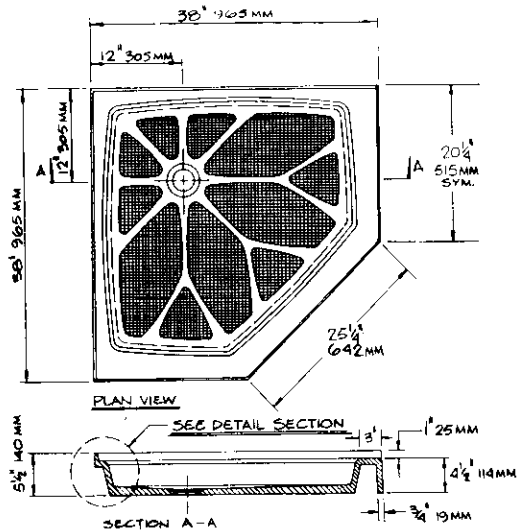
	CATALOG No.	DESCRIPTION	LIST PRICE	
MALE	23017	1050-17		CAST WEIGHT SCALE 1/2" = 1'-0" DATE 5-5-93
FEMALE	430178	FFO-1050-17		
INSERT				
NAME	1050-17 SHOWER PAN 42"x42" NEO			©1992 REF. B-PD-980

25636 AVE. STANFORD, VALENCIA, CA 91355
 ISSUED BY GRUBER SYSTEMS INC.
 GRUBER SYSTEMS RESERVES THE RIGHT TO CHANGE THIS INFORMATION AT ANY TIME WITHOUT PRIOR NOTICE



	CATALOG No.	DESCRIPTION	LIST PRICE	
MALE	23064	1051-14 NA 42" x 42"		CAST WEIGHT
FEMALE				SCALE 1/2" = 1'0"
INSERT	430648	FFL-1051-14 INSERT		DATE 4-29-93
NAME	1051-14	SHOWER PAN 42" x 42" NEO-ANGLE	©1992	REF. B-PD-1578

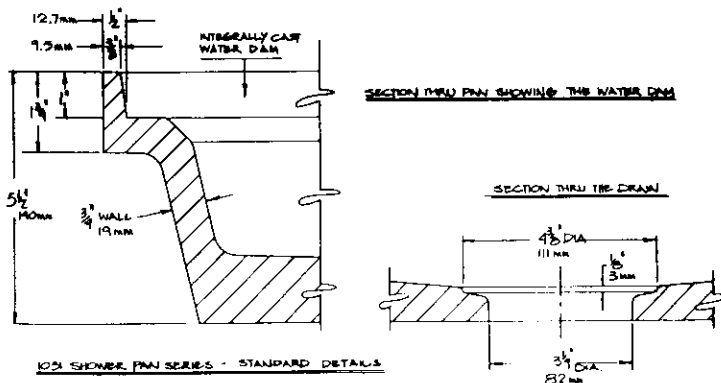
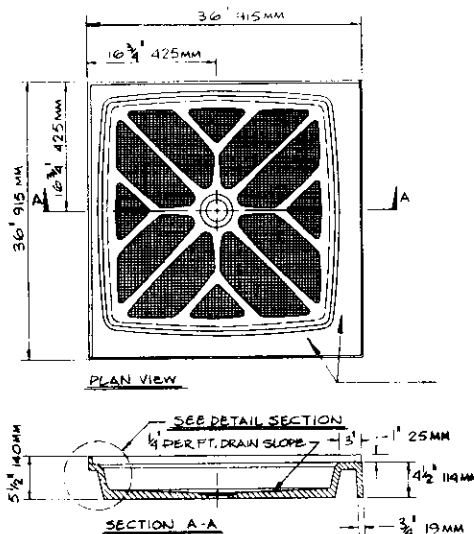
ISSUED BY GRUBER SYSTEMS INC. 25636 AVE. STANFORD, VALENCIA, CA 91355
GRUBER SYSTEMS RESERVES THE RIGHT TO CHANGE THIS INFORMATION AT ANY TIME WITHOUT PRIOR NOTICE



1051 SHOWER PAN SERIES - STANDARD DETAILS

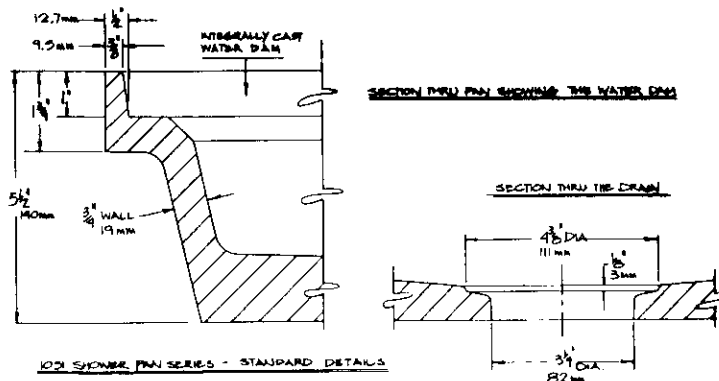
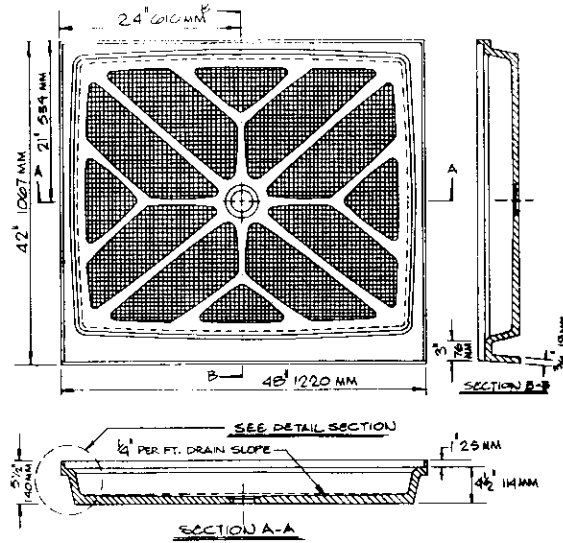
	CATALOG No.	DESCRIPTION	LIST PRICE	
MALE	23051	1051-01 CNR, NA 38"x38"		CAST WEIGHT
FEMALE				SCALE 1/2" = 1'0"
INSERT	430518	FFL-1051-01 INSERT		DATE 4-28-93
NAME	1051-01	SHOWER PAN 38"x38" NEO-ANGLE	©1992	REF. B-PD-578

ISSUED BY GRUBER SYSTEMS INC. 25636 AVE. STANFORD, VALENCIA, CA 91355
GRUBER SYSTEMS RESERVES THE RIGHT TO CHANGE THIS INFORMATION AT ANY TIME WITHOUT PRIOR NOTICE



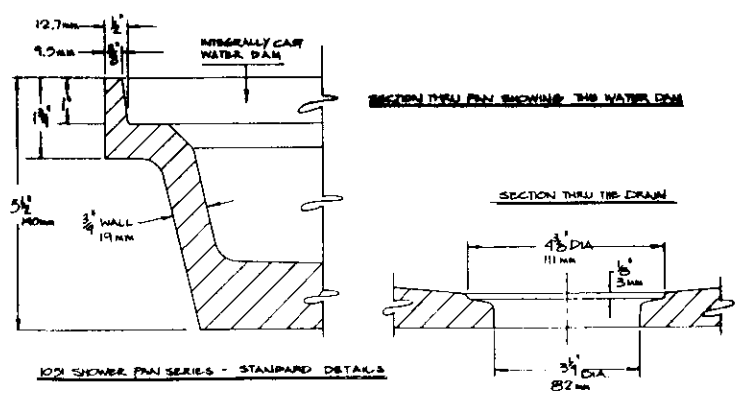
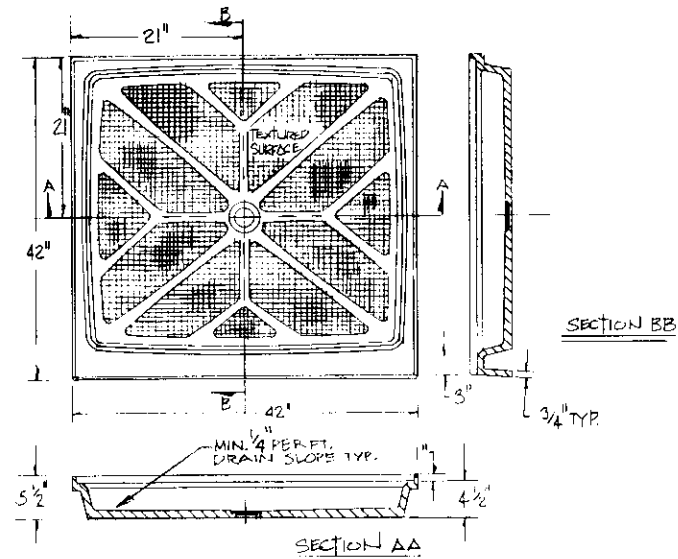
	CATALOG No.	DESCRIPTION	LIST PRICE	
MALE	23052	1051-02 CNR. DT 36"x36"		CAST WEIGHT
FEMALE				SCALE 1/2" = 1' 0"
INSERT	430528	FFL-1051-02 INSERT		DATE 4-28-93
NAME	1051-02 SHOWERPAN 36"x36"		©1992	REF. B-PD-577

25636 AVE. STANFORD, VALENCIA, CA 91355
 ISSUED BY GRUBER SYSTEMS INC.
 GRUBER SYSTEMS RESERVES THE RIGHT TO CHANGE THIS INFORMATION AT ANY TIME WITHOUT PRIOR NOTICE



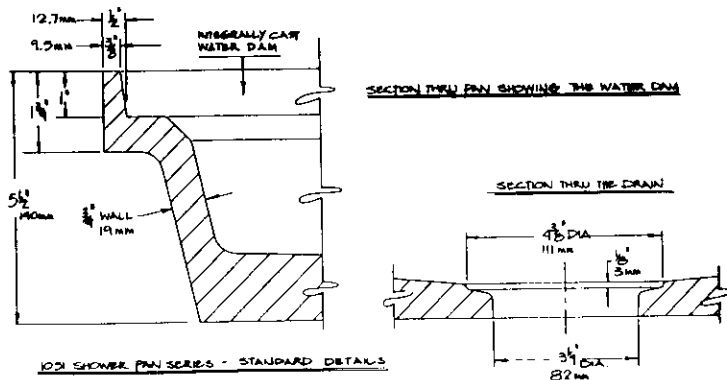
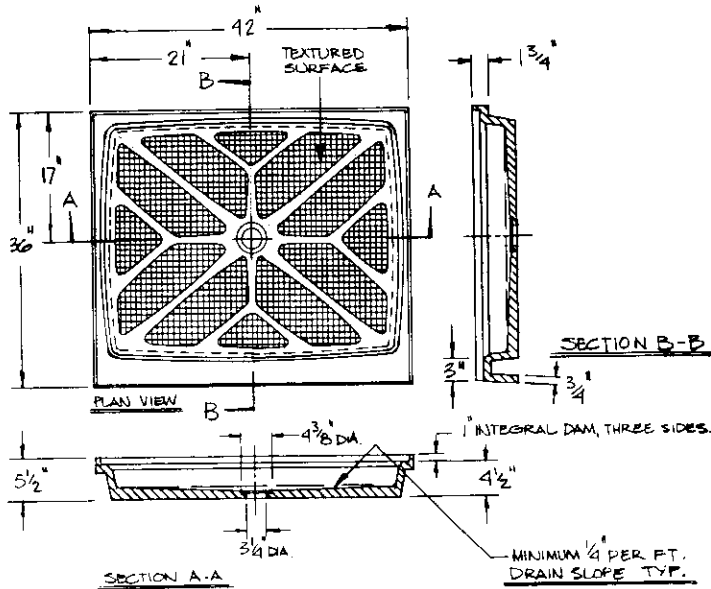
	CATALOG No.	DESCRIPTION	LIST PRICE	
MALE	23054	1051-04 48" x 42"		CAST WEIGHT SCALE 1/2" = 1'0" DATE 4-28-93
FEMALE				
INSERT	43054B	FFL-1051-04 INSERT		
NAME	1051-04 SHOWER PAN 48" x 42"			©1992 REF. B-PD-620

25636 AVE. STANFORD, VALENCIA, CA 91355
 ISSUED BY GRUBER SYSTEMS INC.
 GRUBER SYSTEMS RESERVES THE RIGHT TO CHANGE THIS INFORMATION AT ANY TIME WITHOUT PRIOR NOTICE



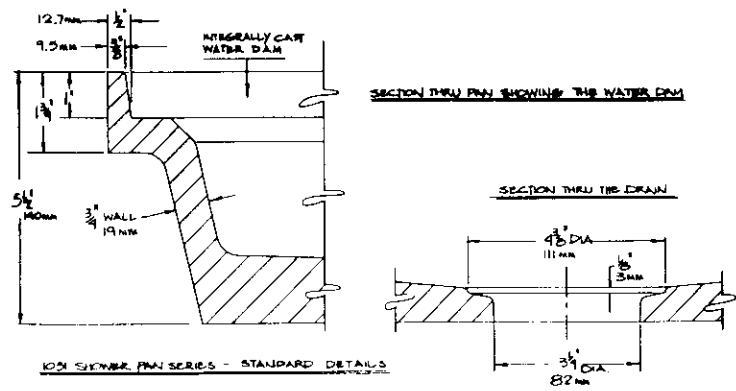
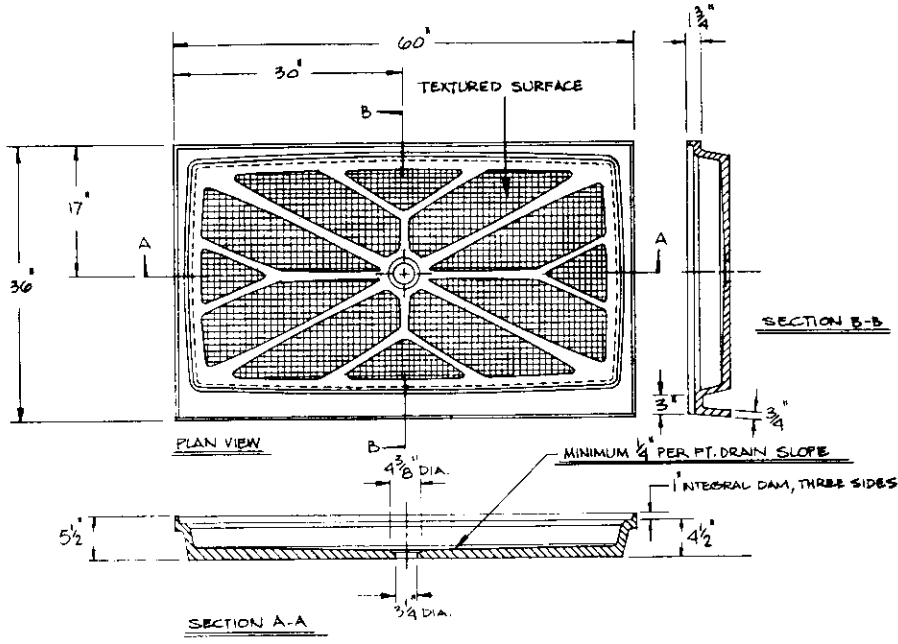
	CATALOG No.	DESCRIPTION	LIST PRICE	
MALE	23055	1051-05 42" x 42"		CAST WEIGHT SCALE 1/2" = 1'0" DATE 4-28-93 REF. B-PD-1097
FEMALE				
INSERT	430558	FFL 1051-05 INSERT		
NAME	1051-05 SHOWER PAN 42" x 42"		©1992	

25636 AVE. STANFORD, VALENCIA, CA 91355
 ISSUED BY GRUBER SYSTEMS INC.
 GRUBER SYSTEMS RESERVES THE RIGHT TO CHANGE THIS INFORMATION AT ANY TIME WITHOUT PRIOR NOTICE



	CATALOG No.	DESCRIPTION	LIST PRICE	
MALE	23057	1051-07 42"x36"		CAST WEIGHT
FEMALE				SCALE 1/2" = 1'0"
INSERT	430578	FFL-1051-07 INSERT		DATE 4-28-93
NAME	1051-07 SHOWER PAN 42"x36"		©1992	REF. B-PD-1365

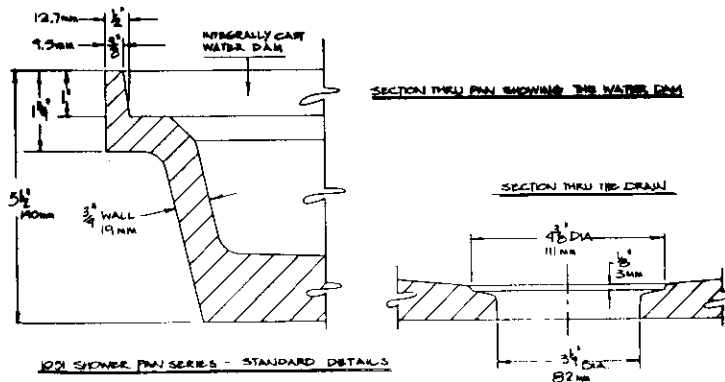
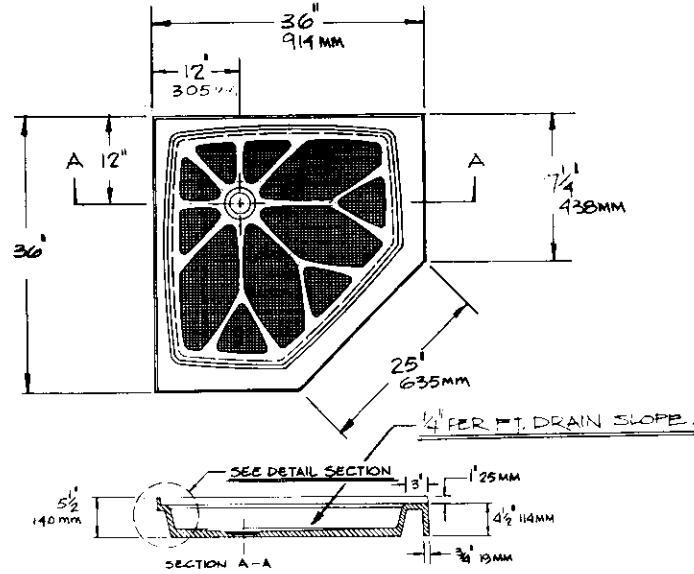
25636 AVE. STANFORD, VALENCIA, CA 91355
 ISSUED BY GRUBER SYSTEMS INC.
 GRUBER SYSTEMS RESERVES THE RIGHT TO CHANGE THIS INFORMATION AT ANY TIME WITHOUT PRIOR NOTICE



1051 SHOWER PAN SERIES - STANDARD DETAILS

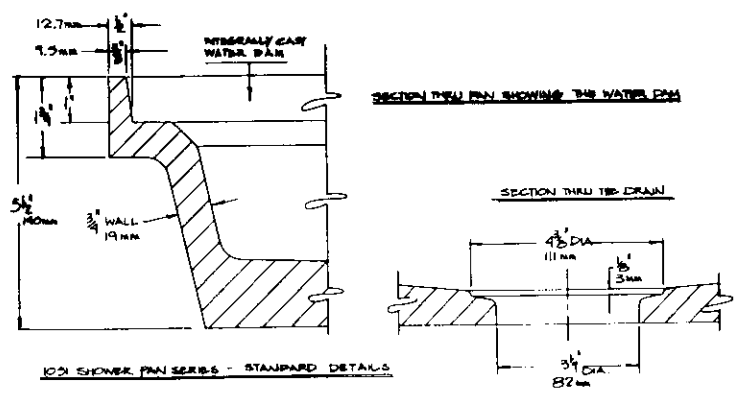
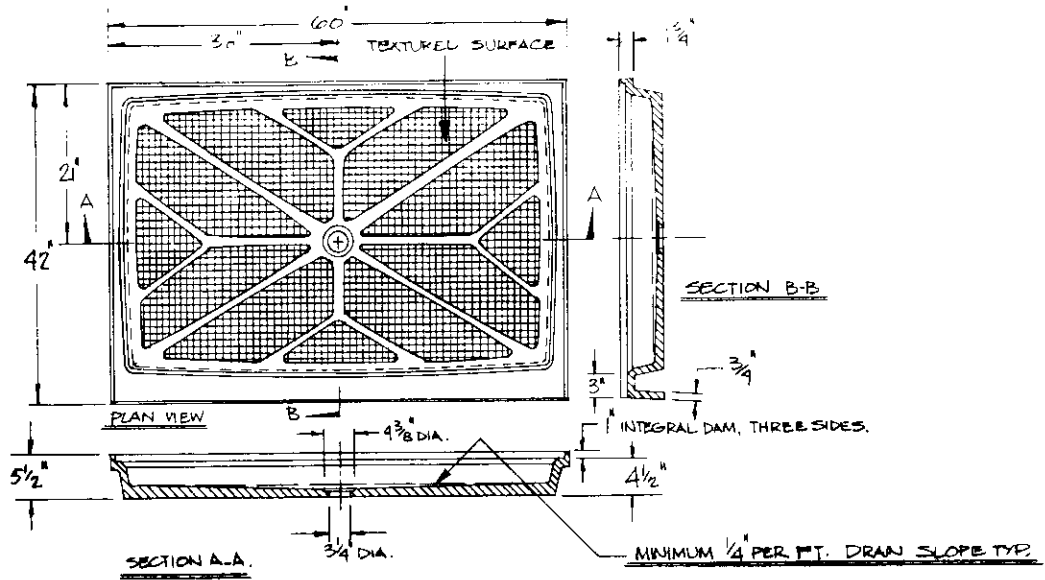
	CATALOG No.	DESCRIPTION	LIST PRICE	
MALE	23060	1051-10 60" x 36"		CAST WEIGHT
FEMALE				SCALE 1/2" = 1'0"
INSERT	430608	FFL-1051-10 INSERT		DATE 4-27-93
NAME	1051-10 SHOWER PAN 60" x 36"		©1992	REF. B-PD-1297

25636 AVE. STANFORD, VALENCIA, CA 91355
 ISSUED BY GRUBER SYSTEMS INC.
 GRUBER SYSTEMS RESERVES THE RIGHT TO CHANGE THIS INFORMATION AT ANY TIME WITHOUT PRIOR NOTICE



	CATALOG No.	DESCRIPTION	LIST PRICE	
MALE	23061	1051-11 CNR. NA 36"x36"		CAST WEIGHT SCALE 1/2" = 1'0" DATE 5-3-93
FEMALE				
INSERT	430618	FFL 1051-11 INSERT		
NAME	1051-11 SHOWER PAN 36"x36" NEOANGLE		©1992	REF. B-PD-1580

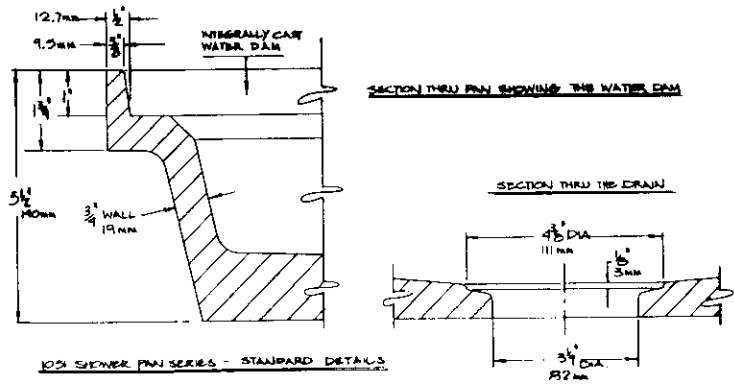
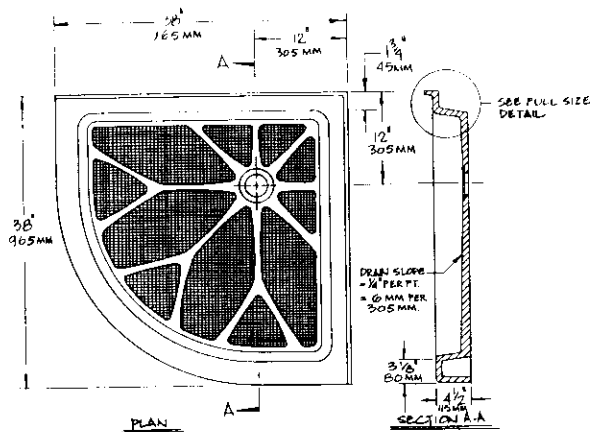
25636 AVE. STANFORD, VALENCIA, CA 91355
 ISSUED BY GRUBER SYSTEMS INC.
 GRUBER SYSTEMS RESERVES THE RIGHT TO CHANGE THIS INFORMATION AT ANY TIME WITHOUT PRIOR NOTICE



1051 SHOWER PAN SERIES - STANDARD DETAILS

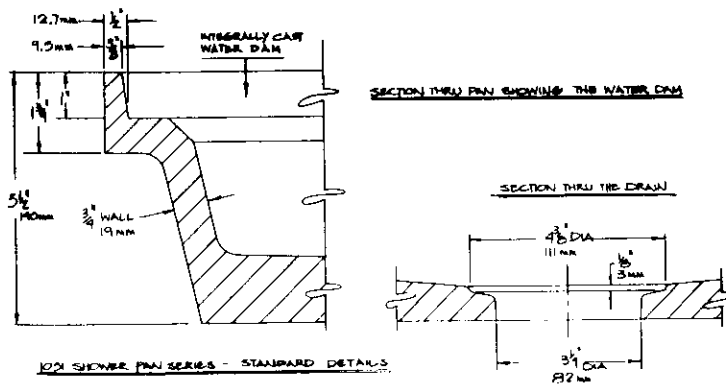
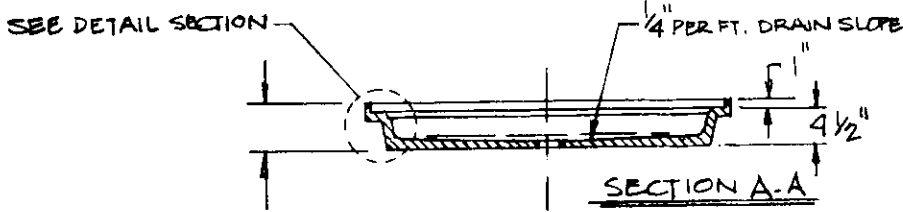
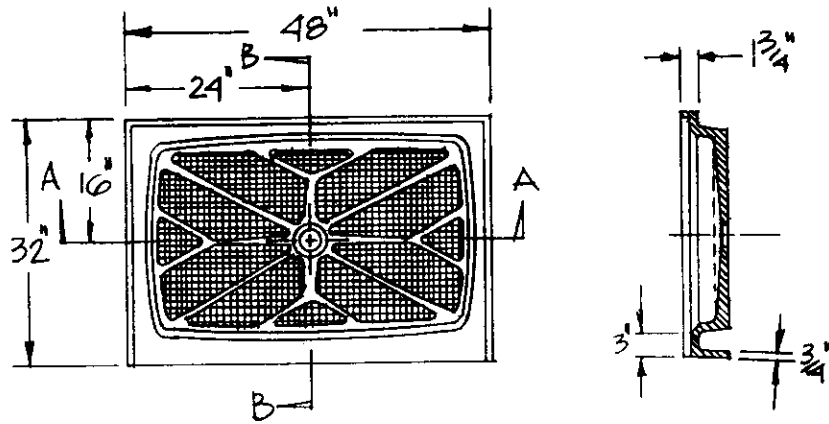
CATALOG No.	DESCRIPTION	LIST PRICE	CAST WEIGHT
MALE 23062	1051-12 60"x42"		SCALE 1/2" = 1'0"
FEMALE			DATE 4-27-93
INSERT 430628	FFL-1051-12 INSERT		REF. B-PD-136A
NAME 1051-12 SHOWER PAN 60"x42"		©1992	

25636 AVE. STANFORD, VALENCIA, CA 91355
 ISSUED BY GRUBER SYSTEMS INC.
 GRUBER SYSTEMS RESERVES THE RIGHT TO CHANGE THIS INFORMATION AT ANY TIME WITHOUT PRIOR NOTICE



	CATALOG No.	DESCRIPTION	LIST PRICE	
MALE	23063	1051-13 CURVED 38"x38"		CAST WEIGHT
FEMALE				SCALE 1/2" = 1'0"
INSERT	430638	FFL 1051-13 INSERT		DATE 4-28-93
NAME	1051-13 SHOWER PAN CURVED 38"x38"		©1992	REF. B-PD-1109

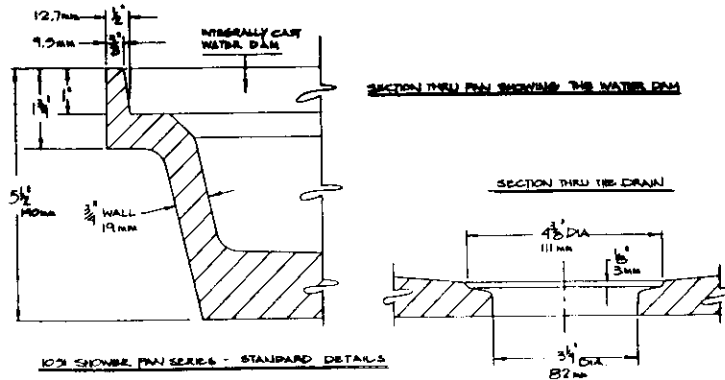
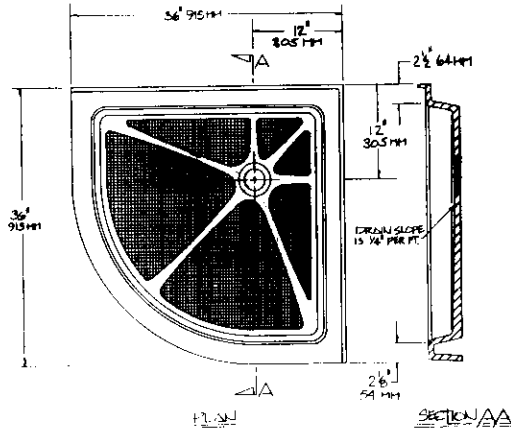
25636 AVE. STANFORD, VALENCIA, CA 91355
 ISSUED BY GRUBER SYSTEMS INC.
 GRUBER SYSTEMS RESERVES THE RIGHT TO CHANGE THIS INFORMATION AT ANY TIME WITHOUT PRIOR NOTICE



102 SHOWER PAN SERIES - STANDARD DETAILS

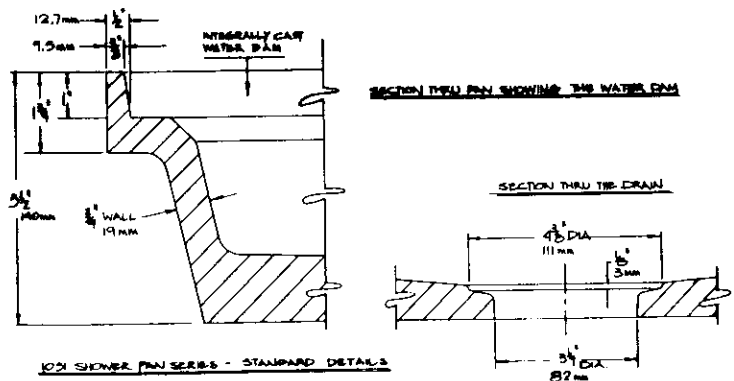
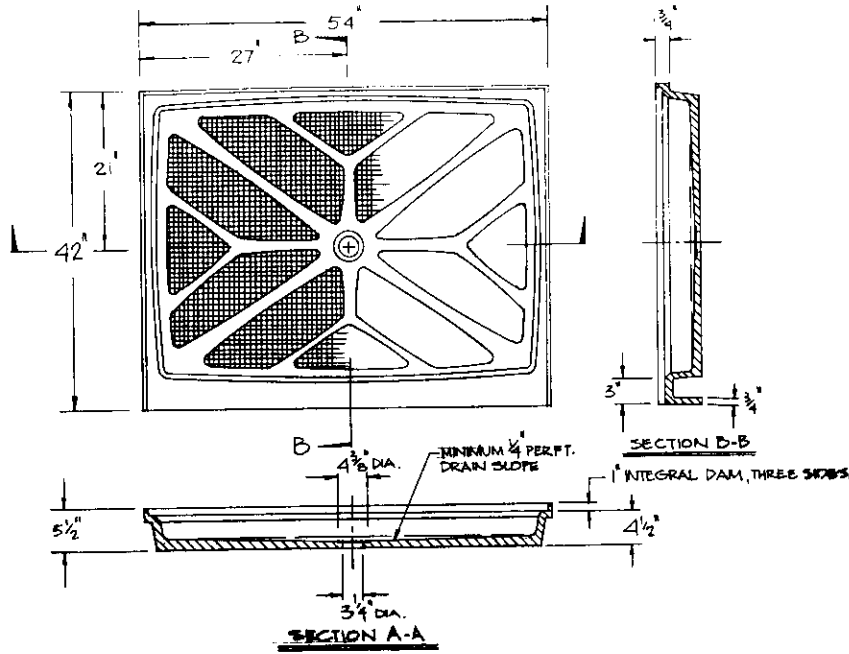
	CATALOG No.	DESCRIPTION	LIST PRICE	
MALE	23065	1051-15 32" x 48"		CAST WEIGHT SCALE 1/2" = 1' 0" DATE 4-29-93
FEMALE				
INSERT	430658	FFL 1051-15 INSERT		
NAME	1051-15 SHOWER PAN 48" x 32"			©1992 REF. B-PD-1578

25636 AVE. STANFORD, VALENCIA, CA 91355
 ISSUED BY GRUBER SYSTEMS INC.
 GRUBER SYSTEMS RESERVES THE RIGHT TO CHANGE THIS INFORMATION AT ANY TIME WITHOUT PRIOR NOTICE



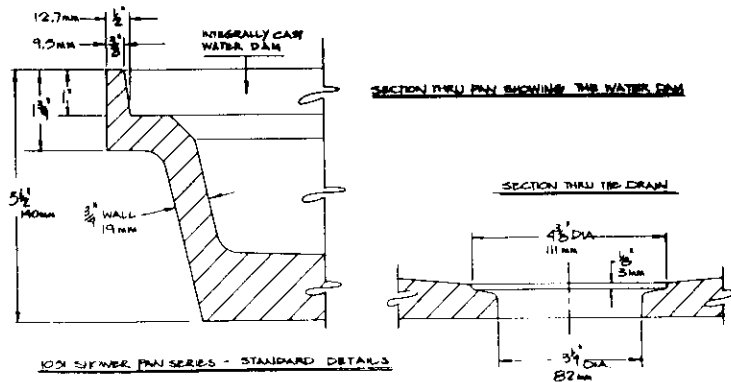
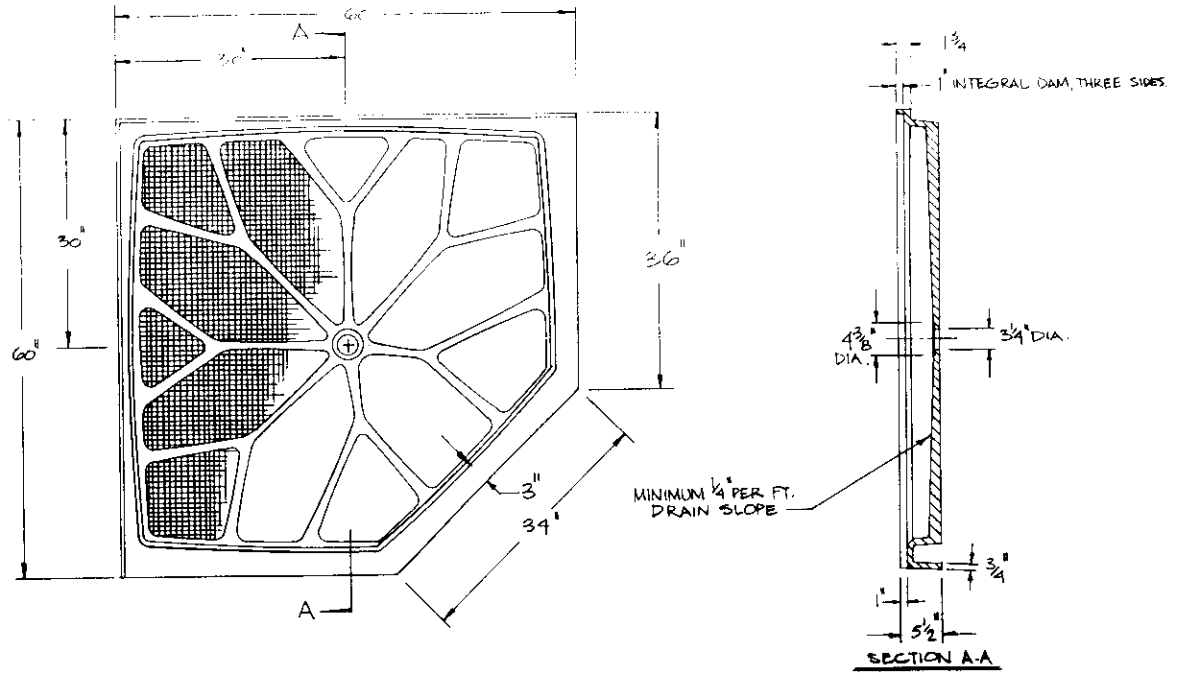
	CATALOG No.	DESCRIPTION	LIST PRICE	
MALE	23066	1051-16 36"x36" CORNER		CAST WEIGHT
FEMALE				SCALE 1/2" = 1'0"
INSERT	430668	FFL-1051-16 INSERT		DATE 4-28-93
NAME	1051-16 SHOWER PAN CURVED 36" x 36"		©1992	REF. B-PD-1103

ISSUED BY GRUBER SYSTEMS INC. 25636 AVE. STANFORD, VALENCIA, CA 91355
 GRUBER SYSTEMS RESERVES THE RIGHT TO CHANGE THIS INFORMATION AT ANY TIME WITHOUT PRIOR NOTICE



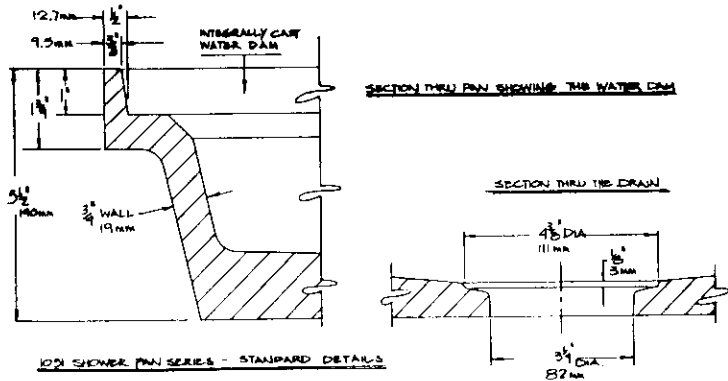
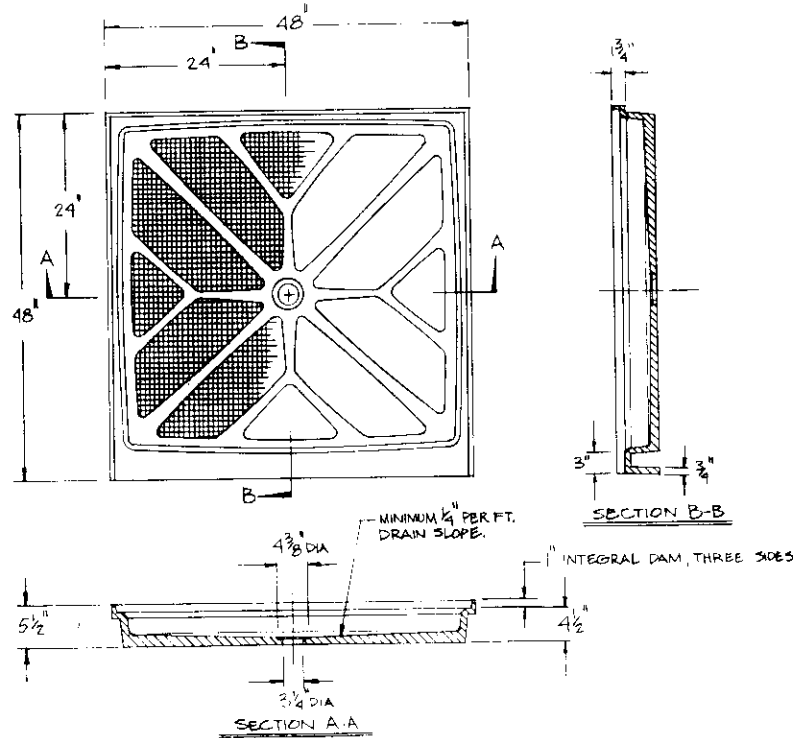
	CATALOG No.	DESCRIPTION	LIST PRICE	
MALE	23067	1051-17 54"x42"		CAST WEIGHT SCALE 1/2" = 10" DATE 4-28-93
FEMALE				
INSERT	430678	1051-17 INSERT		
NAME	1051-17 SHOWER PAN 54"x42"		©1992	REF. B-PD-1379

25636 AVE. STANFORD, VALENCIA, CA 91355
 ISSUED BY GRUBER SYSTEMS INC.
 GRUBER SYSTEMS RESERVES THE RIGHT TO CHANGE THIS INFORMATION AT ANY TIME WITHOUT PRIOR NOTICE



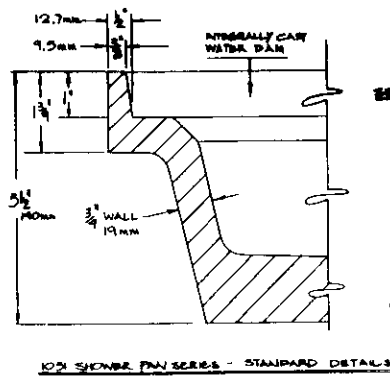
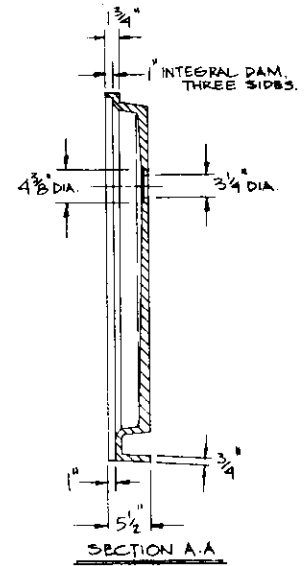
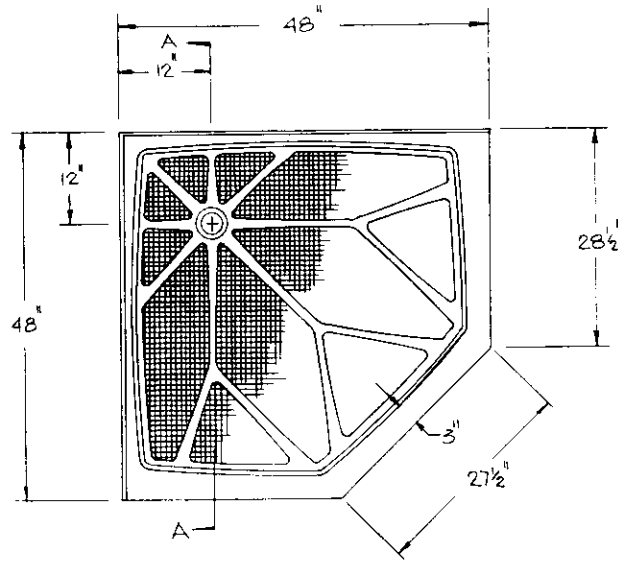
	CATALOG No.	DESCRIPTION	LIST PRICE	
MALE	23068	1051-18 60"x60" NEO.		CAST WEIGHT
FEMALE				SCALE 1/2" = 1'0"
INSERT	430688	FFL-1051-18 INSERT		DATE 4-28-93
NAME	1051-18 SHOWER PAN 60x60" NEO ANGLE		©1992	REF. B-PD-1380

25636 AVE. STANFORD, VALENCIA, CA 91355
 ISSUED BY GRUBER SYSTEMS INC.
 GRUBER SYSTEMS RESERVES THE RIGHT TO CHANGE THIS INFORMATION AT ANY TIME WITHOUT PRIOR NOTICE

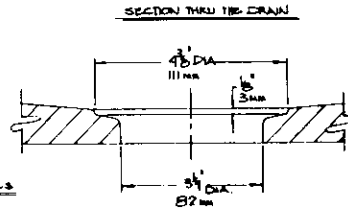


	CATALOG No.	DESCRIPTION	LIST PRICE	
MALE	23071	1051-19 48" x 48"		CAST WEIGHT SCALE 1/2" = 1'0" DATE 4-28-93
FEMALE				
INSERT	43071B	FFL-1051-19 INSERT		
NAME	1051-19 SHOWER PAN 48" x 48"			©1992 REF. B-PD-1382

25636 AVE. STANFORD, VALENCIA, CA 91355
 ISSUED BY GRUBER SYSTEMS INC.
 GRUBER SYSTEMS RESERVES THE RIGHT TO CHANGE THIS INFORMATION AT ANY TIME WITHOUT PRIOR NOTICE



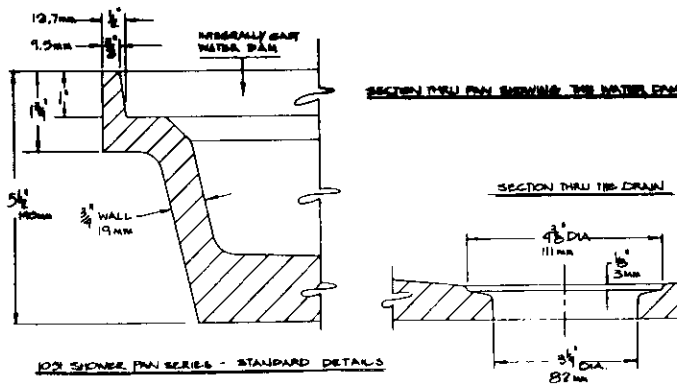
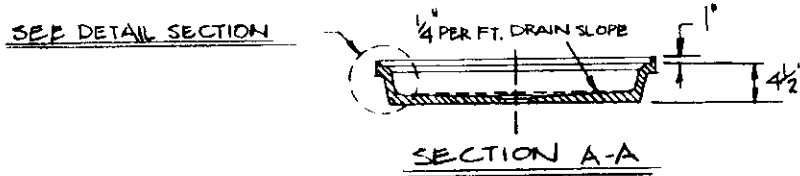
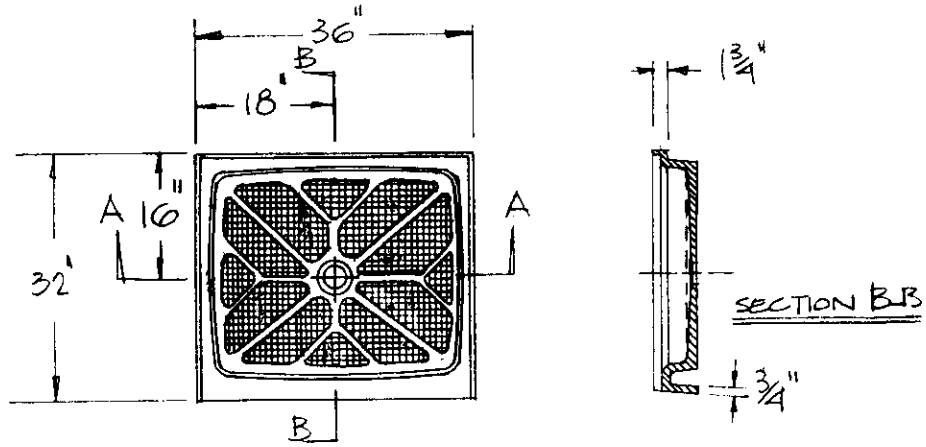
SECTION THRU PAN SHOWING THE WATER DAM



SECTION THRU THE DRAIN

	CATALOG No.	DESCRIPTION	LIST PRICE	
MALE	23069	1051-20 48" x 48" NEO		CAST WEIGHT
FEMALE				SCALE 1/2" = 1'-0"
INSERT	430698	FFL-1051-20 INSERT		DATE 4-28-93
NAME	1051-20 SHOWER PAN	48" x 48" NEO-ANGLE	©1992	REF. B-PD-1381

25636 AVE. STANFORD, VALENCIA, CA 91355
 GRUBER SYSTEMS RESERVES THE RIGHT TO CHANGE THIS INFORMATION AT ANY TIME WITHOUT PRIOR NOTICE
 ISSUED BY GRUBER SYSTEMS INC.

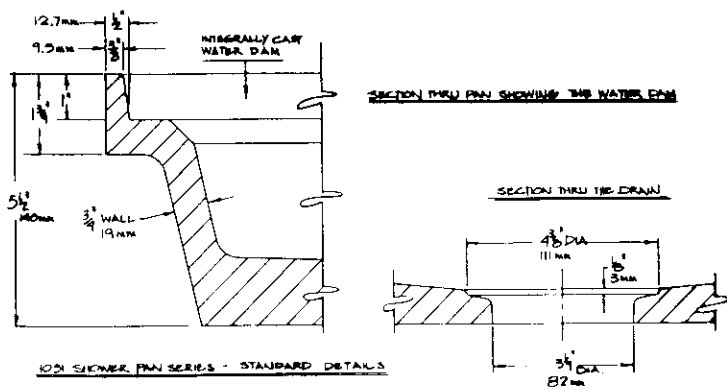
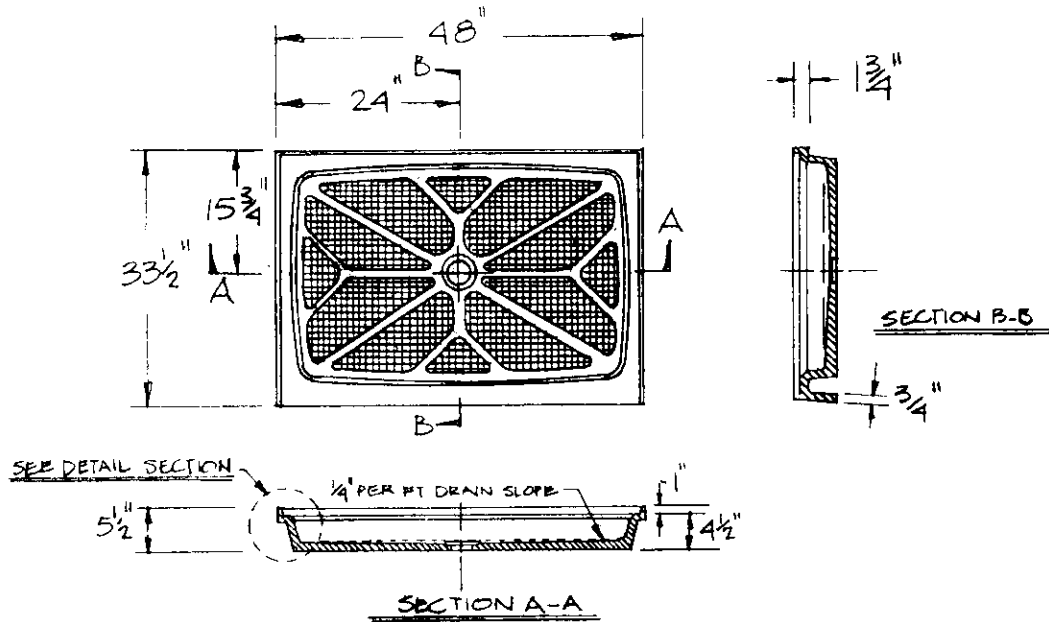


	CATALOG No.	DESCRIPTION	LIST PRICE	
MALE	23072	1051-21 36" x 32"		CAST WEIGHT
FEMALE				SCALE 1/2" = 1'0"
INSERT	43072B	FFL 1051-21 INSERT		DATE 4-28-93
NAME	1051-21 SHOWER PAN	36" x 32"	©1992	REF. B-PD-1577

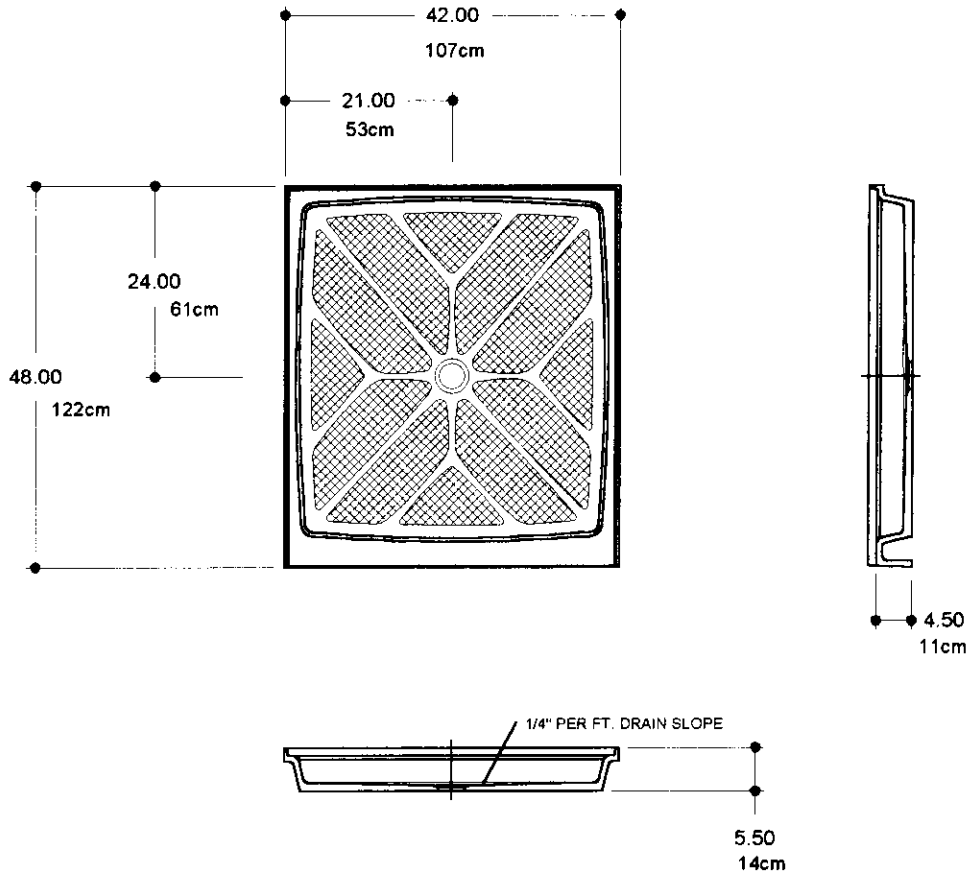
25636 AVE. STANFORD, VALENCIA, CA 91355

ISSUED BY GRUBER SYSTEMS INC.

GRUBER SYSTEMS RESERVES THE RIGHT TO CHANGE THIS INFORMATION AT ANY TIME WITHOUT PRIOR NOTICE

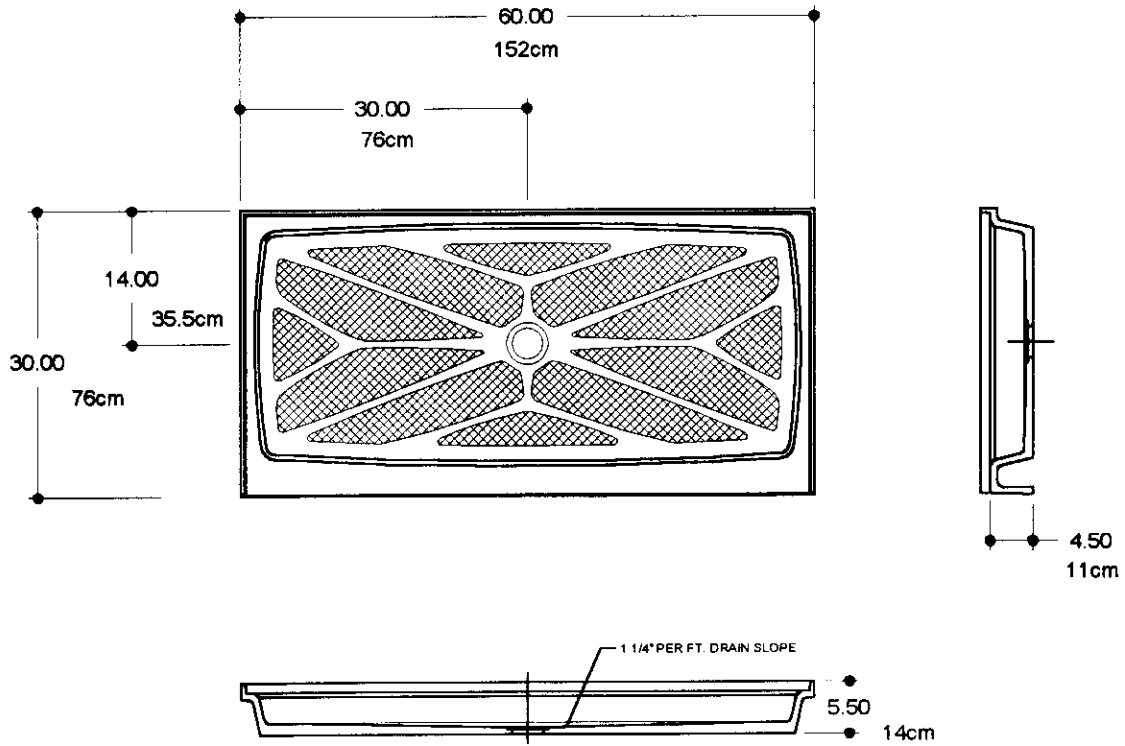


	CATALOG No.	DESCRIPTION	LIST PRICE	
MALE	23073	1051-22 48" x 33-1/2"		CAST WEIGHT SCALE 1/2" = 1'0" DATE 4-28-93
FEMALE				
INSERT	43073B	FFL-1051-22 INSERT		
NAME	1051-22 SHOWER PAN 48" x 33 1/2"		©1992	REF. B-PD-1577

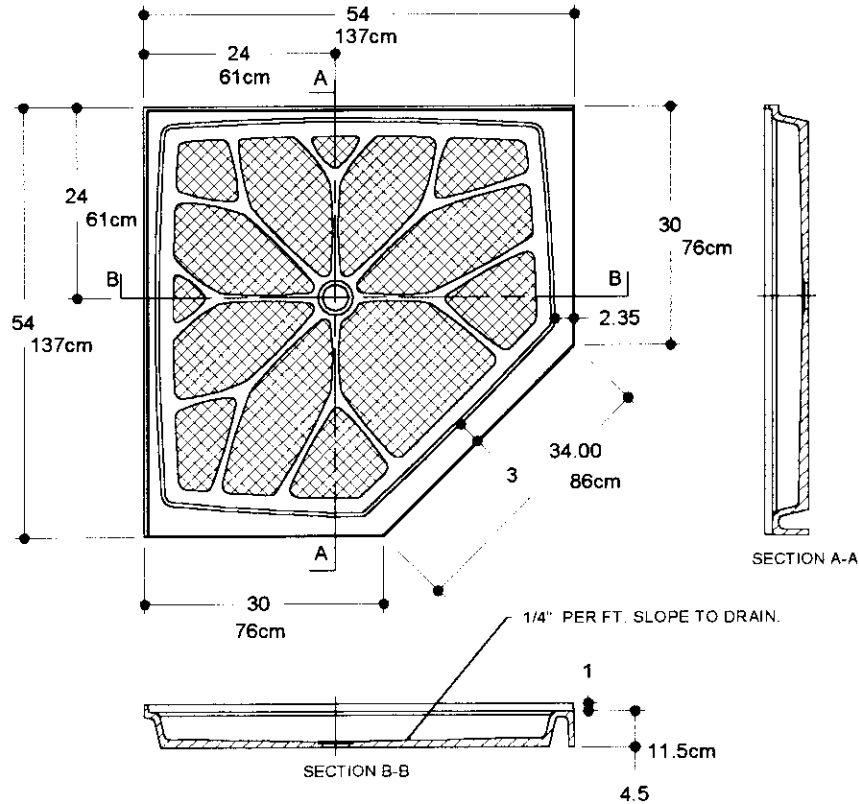


MOLD PART	CATALOG No.	DESCRIPTION
MALE	23076-M	1051-25-M-T42 X 48
INSERT	430768-M	INSERT 1051-25-M
NAME	1051-25 SHOWER PAN T42" X 48" (107cm X 134cm)	
CAST WEIGHT	SCALE 1/2" = 1' 0"	DATE 3-7-95
		PAGE No. SP-35A

GRUBER SYSTEMS RESERVES THE RIGHT TO CHANGE THIS INFORMATION AT ANY TIME WITHOUT PRIOR NOTICE. ISSUED BY GRUBER SYSTEMS INC., 25636 AVENUE STANFORD, VALENCIA, CA 91355, USA. COPYRIGHT 1995.



MOLD PART	CATALOG No.	DESCRIPTION
MALE	23074-M	1051-23-M-T60 X 30
INSERT	430748-M	INSERT 1051-23-M
NAME	1051-23 SHOWER PAN T60" X 30" (152cm X 76cm)	
CAST WEIGHT	SCALE 1/2" = 1' 0"	DATE 3-7-95
		PAGE No. SP-36A

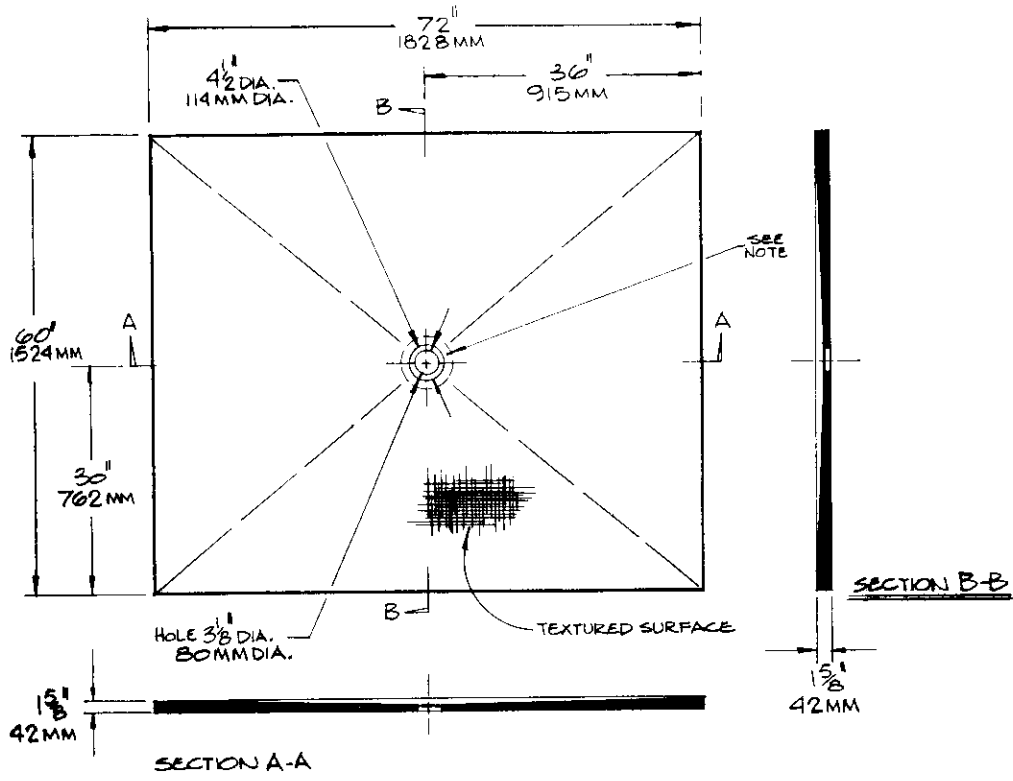


MOLD PART	CATALOG No.	DESCRIPTION
MALE	23078 M	META 1051-27 54 X 54 NEO ANGLE
FEMALE	430788 M	META FFL 1051-27
NAME	1051-27 SHOWER PAN 54" X 54" (137cm X 137cm)	
CAST WEIGHT	SCALE 1/2" = 1' 0"	DATE 3-6-69 PAGE No. SP-37

25636 AVE. STANFORD, VALENCIA, CA 91355

ISSUED BY GRUBER SYSTEMS INC.

GRUBER SYSTEMS RESERVES THE RIGHT TO CHANGE THIS INFORMATION AT ANY TIME WITHOUT PRIOR NOTICE



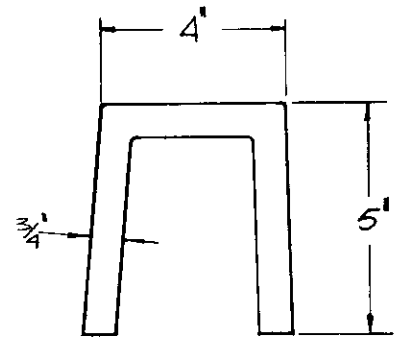
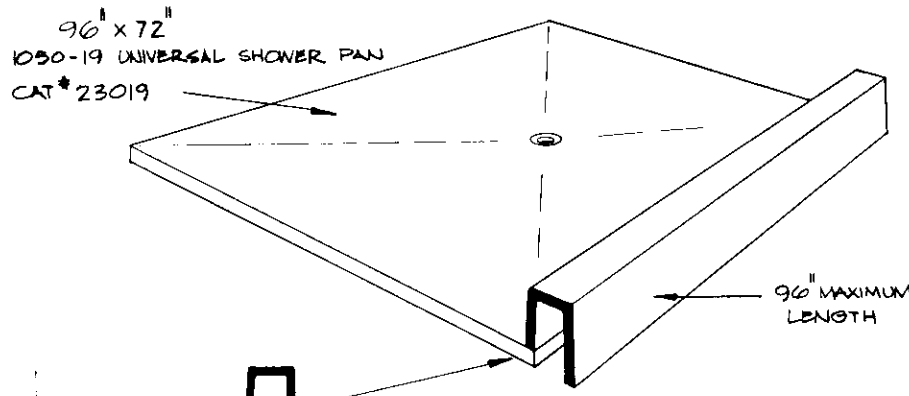
EXAMPLES OF BLOCKED-DOWN SIZES BASED ON CENTER DRAIN REQUIREMENT.

LONG SIDE DIMENSION	SHORT SIDE DIMENSION
30" (915 MM)	30" (762 MM)
38" (965 MM)	31 1/2" (800 MM)
40" (1016 MM)	33 1/4" (845 MM)
42" (1067 MM)	34 3/4" (882 MM)
44" (1118 MM)	36 1/2" (927 MM)
46" (1169 MM)	38" (965 MM)
48" (1219 MM)	39 3/4" (1010 MM)
50" (1270 MM)	41 1/2" (1054 MM)
52" (1321 MM)	43 1/4" (1098 MM)
54" (1372 MM)	44 3/4" (1137 MM)
56" (1422 MM)	46 1/2" (1181 MM)
58" (1473 MM)	48" (1219 MM)
60" (1524 MM)	49 3/4" (1263 MM)
62" (1575 MM)	51 1/2" (1308 MM)
64" (1626 MM)	53 1/4" (1352 MM)
66" (1677 MM)	55" (1397 MM)
68" (1727 MM)	56 1/2" (1435 MM)

DIMENSIONS LISTED ABOVE ARE FOR REFERENCE ONLY. ACTUAL DIMENSIONS MUST BE VERIFIED.

NOTE: A 1" (25MM) WIDE SMOOTH ANNULAR SURFACE SURROUNDS THE DRAIN AREA.

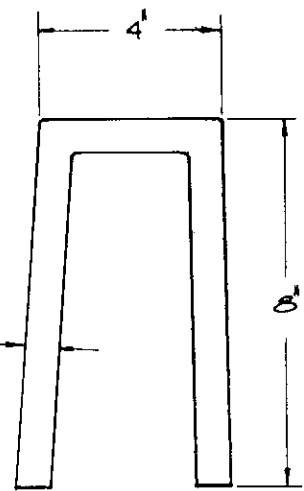
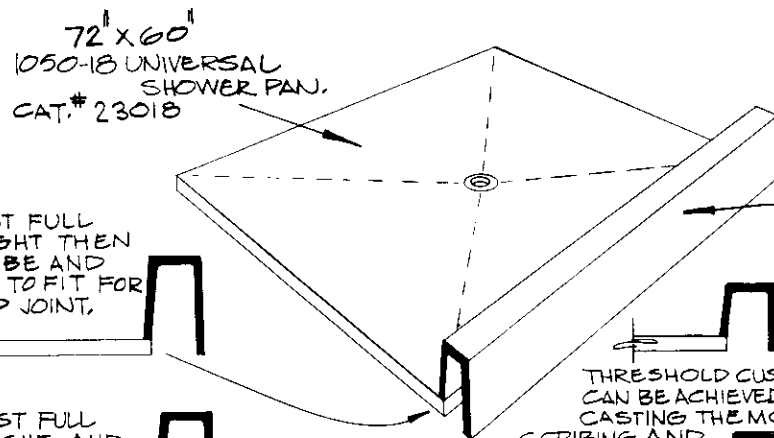
CATALOG No.	DESCRIPTION	LIST PRICE	CAST WEIGHT
MALE 23018	1050-18		SCALE 1/2" = 1'0"
FEMALE			DATE 5-5-93
INSERT			REF. B-PD-664
NAME 1050-18 UNIVERSAL SHOWER PAN		©1992	



END VIEW OF THRESHOLD

CAST FULL HEIGHT, THEN SCRIBE AND CUT TO FIT FOR LAP JOINT.

THIS 96" x 5" THRESHOLD ALSO SUITS THE CAT. NO 23020 1050-20 UNIVERSAL SHOWER PAN 96" x 96".



END VIEW OF THRESHOLD.

CAST FULL HEIGHT THEN SCRIBE AND CUT TO FIT FOR LAP JOINT.

72" MAXIMUM LENGTH.

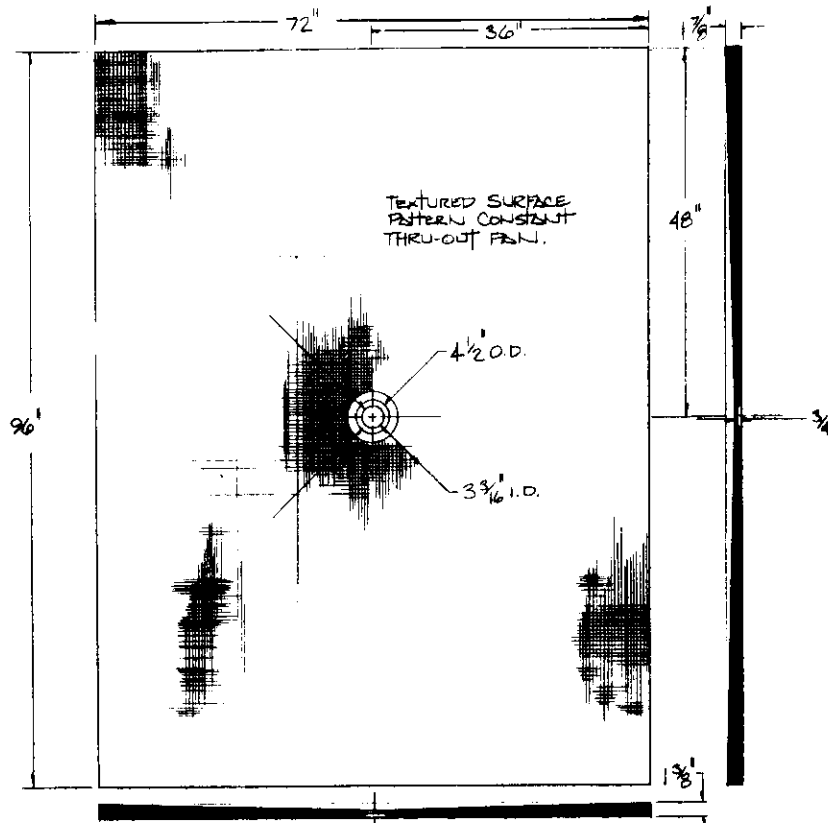
CAST FULL HEIGHT AND BUTT JOINT.

THRESHOLD CUSTOM HEIGHTS CAN BE ACHIEVED BY SHORT CASTING THE MOLD OR BY SCRIBING AND CUTTING.

426808	INSERT FOR 22680	
22680	4 x 5 x 96 THRESHOLD	
CATALOG No.	DESCRIPTION	LIST PRICE

MALE	62570	4 x 8 x 72 THRESHOLD		CAST WEIGHT
FEMALE				SCALE NO SCALE
INSERT	825708	INSERT FOR 62570		DATE 6-1-93
NAME	72" & 96" THRESHOLDS - UNIVERSAL SHOWER PANS		©1992	REF. B-PD-1589/702

ISSUED BY GRUBER SYSTEMS INC. 25636 AVE. STANFORD, VALENCIA, CA 91355
GRUBER SYSTEMS RESERVES THE RIGHT TO CHANGE THIS INFORMATION AT ANY TIME WITHOUT PRIOR NOTICE



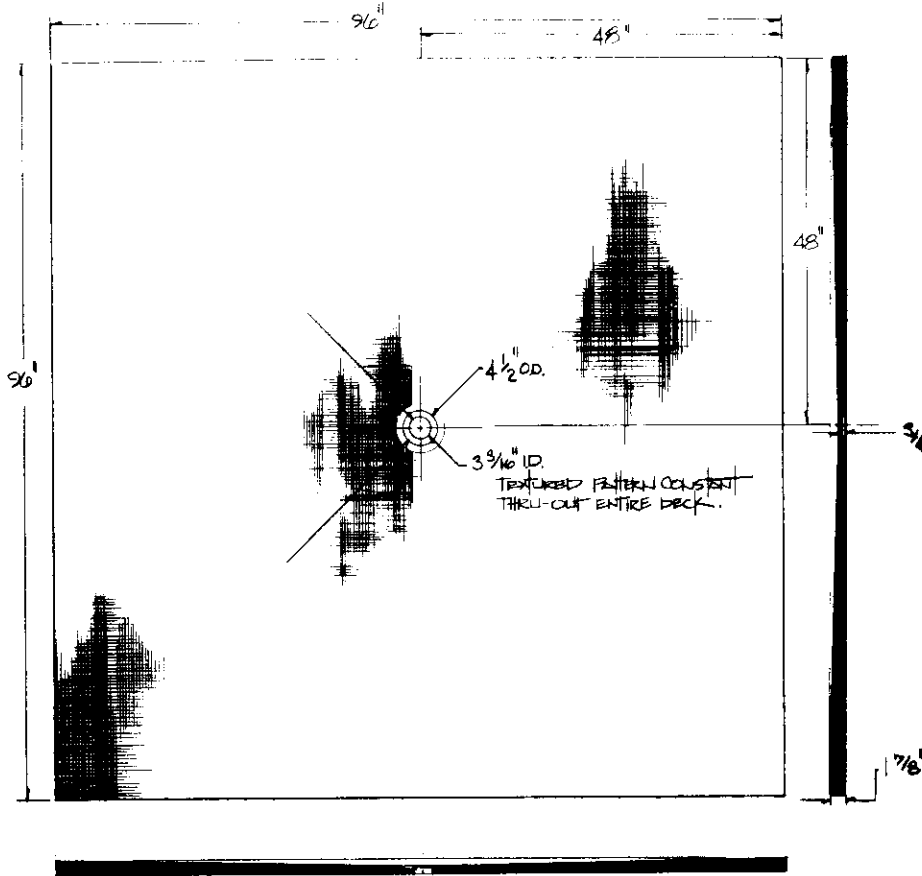
EXAMPLES OF BLOCKED-DOWN SIZES BASED ON CENTER DRAIN REQUIREMENT.

LONG SIDE DIMENSION		SHORT SIDE DIMENSION	
INS.	MM.	INS.	MM.
93	2362	69 5/8	1769
90	2286	67 1/2	1715
87	2210	65 1/8	1654
84	2134	63	1600
81	2057	60 5/8	1540
78	1981	58 1/2	1486
75	1905	56 1/8	1425
72	1829	53 7/8	1369
69	1753	51 3/8	1312
66	1677	49 3/8	1255
63	1600	47 1/8	1197
60	1524	44 7/8	1140
57	1448	42 3/4	1086
54	1372	40 3/8	1025
51	1296	38 1/4	972
48	1219	36	915
45	1143	33 3/4	857

DIMENSIONS LISTED ABOVE ARE FOR REFERENCE ONLY. ACTUAL DIMENSIONS MUST BE VERIFIED.

A 1" (25MM) WIDE SMOOTH ANNULAR SURFACE SURROUNDS THE DRAIN AREA.

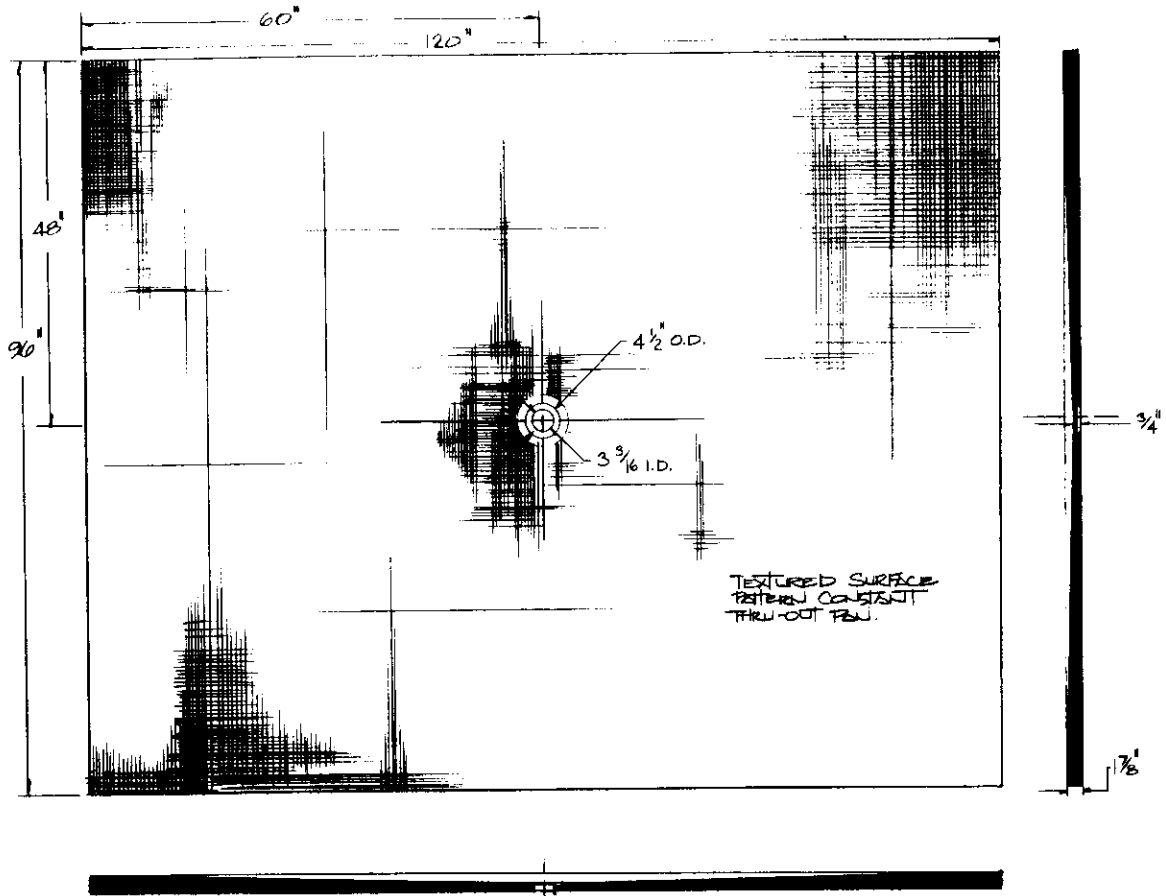
	CATALOG No.	DESCRIPTION	LIST PRICE		CAST WEIGHT
MALE	23019	1050-19			
FEMALE					SCALE 1/2" = 1'0"
INSERT					DATE 5-5-93
NAME	1050-19 UNIVERSAL SHOWER PAN		©1992		REF. B-PD-1275



	CATALOG No.	DESCRIPTION	LIST PRICE		CAST WEIGHT
MALE	23020	1050-20			
FEMALE					SCALE 1/2" = 1'0"
INSERT					DATE 5-5-93
NAME	1050-20 UNIVERSAL SHOWER PAN		©1992		REF. B-PD-1277

25636 AVE. STANFORD, VALENCIA, CA 91355

ISSUED BY GRUBER SYSTEMS INC.
GRUBER SYSTEMS RESERVES THE RIGHT TO CHANGE THIS INFORMATION AT ANY TIME WITHOUT PRIOR NOTICE



EXAMPLES OF BLOCKED-DOWN SIZES
BASED ON CENTER DRAIN REQUIREMENT.

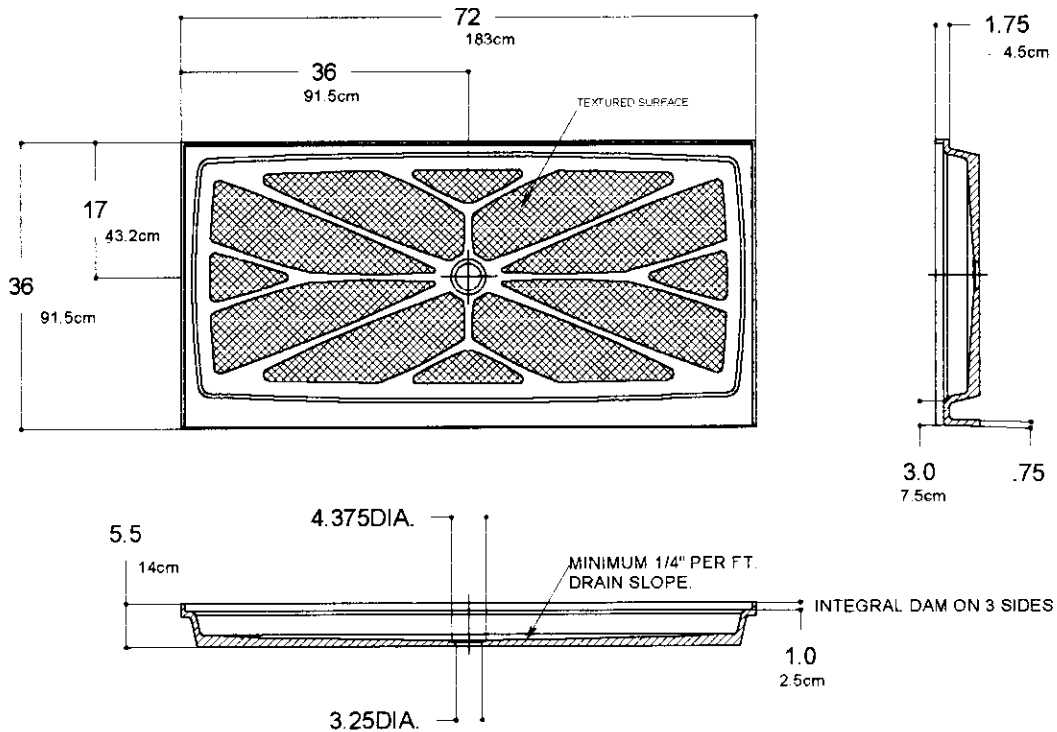
LONG SIDE DIMENSION		SHORT SIDE DIMENSION	
INS.	MM.	INS.	MM.
117	2972	93 3/8	2372
114	2896	91	2311
111	2819	88 1/2	2248
108	2743	86	2185
105	2667	83 3/4	2127
102	2591	81 1/4	2064
99	2515	79	2007
96	2438	76 1/2	1943
93	2362	74 1/4	1886
90	2286	71 3/4	1823
87	2210	69 1/4	1759
84	2134	67	1702
81	2058	64 1/2	1638
78	1981	62	1575
75	1905	59 3/4	1518
72	1829	57 1/2	1460
69	1752	55	1397

DIMENSIONS LISTED ABOVE ARE FOR REFERENCE ONLY. ACTUAL DIMENSIONS MUST BE VERIFIED.

A 1" (25MM) WIDE SMOOTH ANNULAR SURFACE SURROUNDS THE DRAIN AREA.

CATALOG No.	DESCRIPTION	LIST PRICE	CAST WEIGHT
MALE 23021	1050-21		SCALE 1/2" = 1'0"
FEMALE			DATE 5-5-93
INSERT			REF. B-PD-1276
NAME 1050-21 UNIVERSAL SHOWER PAN		©1992	

GRUBER SYSTEMS RESERVES THE RIGHT TO CHANGE THIS INFORMATION AT ANY TIME WITHOUT PRIOR NOTICE. ISSUED BY GRUBER SYSTEMS INC., 25636 AVENUE STANFORD, VALENCIA, CA 91355, USA. COPYRIGHT 1997.



MOLD PART	CATALOG No.	DESCRIPTION
MALE	23079 M	1051-28 36 X 72
INSERT	430798M	FFL 1051-28 36 X 72
TURTLE	4307981M	M-TURTLE 1051-28
NAME	1051-28 SHOWER PAN T72" X 36" (183cm X 91.5cm)	
CAST WEIGHT	SCALE 1/2" = 1' 0"	DATE 3-19-97
		PAGE No. SP-38