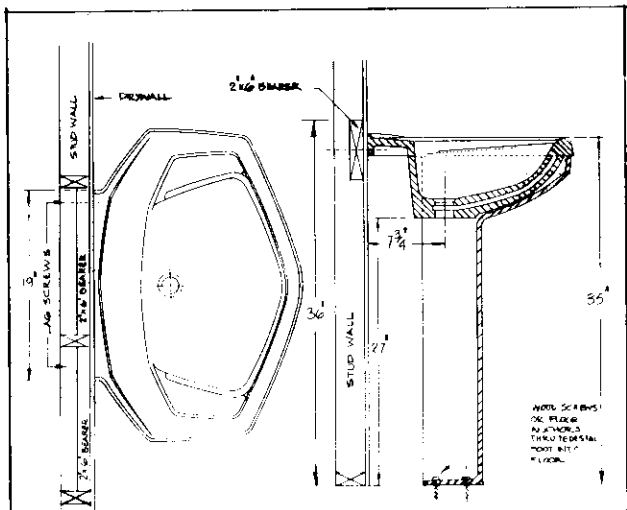
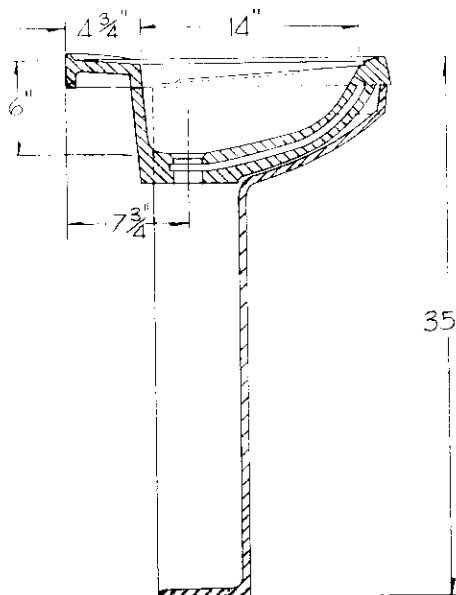
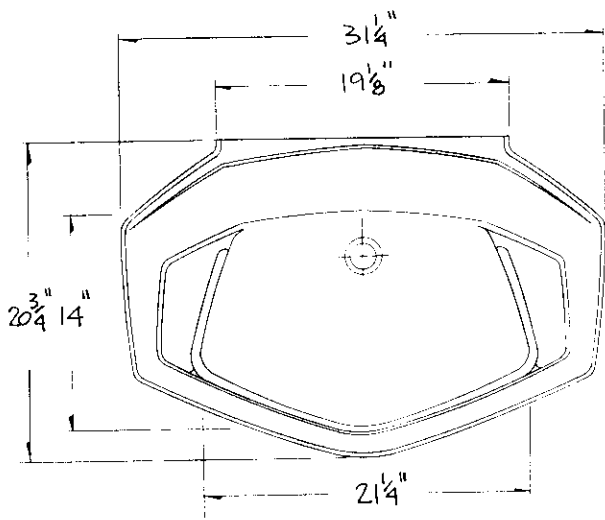
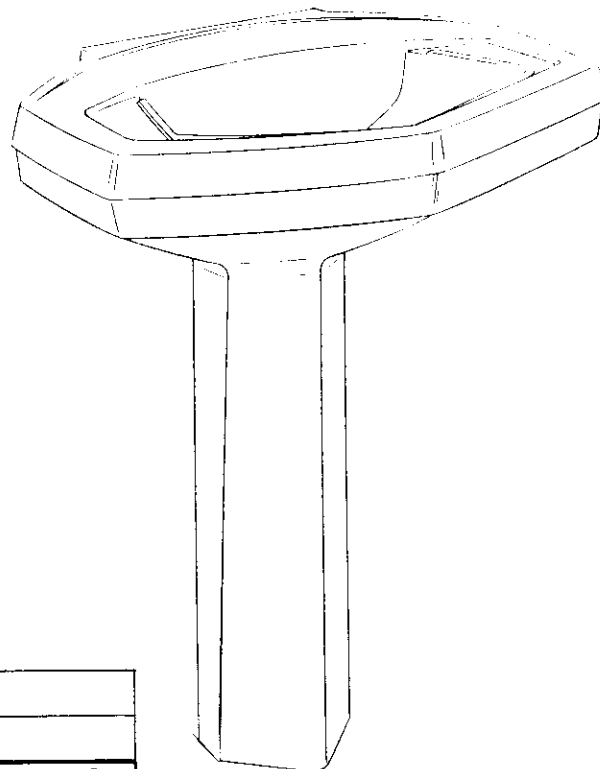


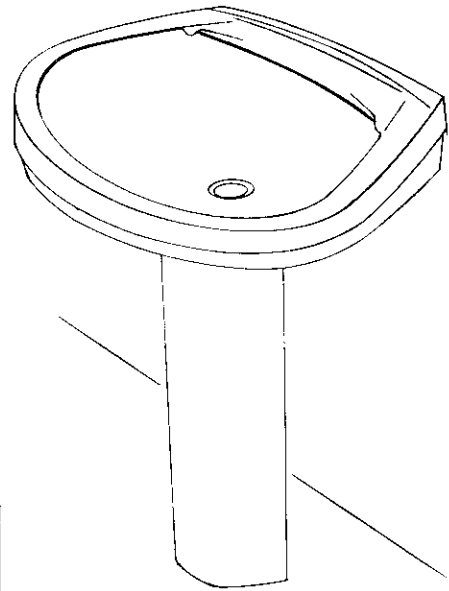
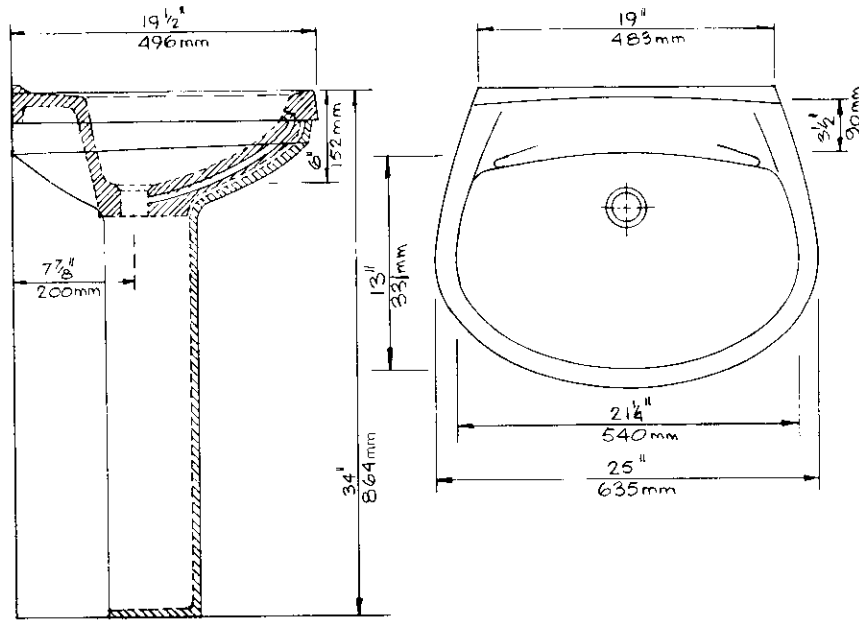
ISSUED BY GRUBER SYSTEMS INC. 25636 AVE. STANFORD, VALENCIA, CA 91355
 GRUBER SYSTEMS RESERVES THE RIGHT TO CHANGE THIS INFORMATION AT ANY TIME WITHOUT PRIOR NOTICE



- DIAMOND PEDESTAL VANITY INSTALLATION**
- ① NAIL 2"x6" BEARERS BETWEEN STUDS AT FRAMING STAGE.
 - ② ADD DRYWALL.
 - ③ INSTALL PEDESTAL VANITY USING LAG SCREWS INTO THE BEARERS THRU PRE-DRILLED MOUNTING HOLES IN REAR FACE OF DOWN.
 - ④ SECURE PEDESTAL FOOT TO FLOOR WITH WOOD SCREWS OR FLOOR ANCHORS.
 - ⑤ CONNECT WATER SUPPLY AND DRAIN FITTINGS AS REQUIRED.



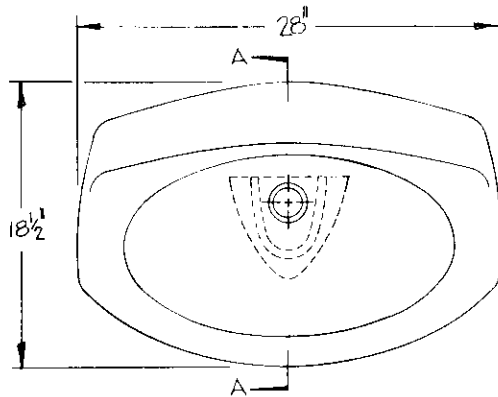
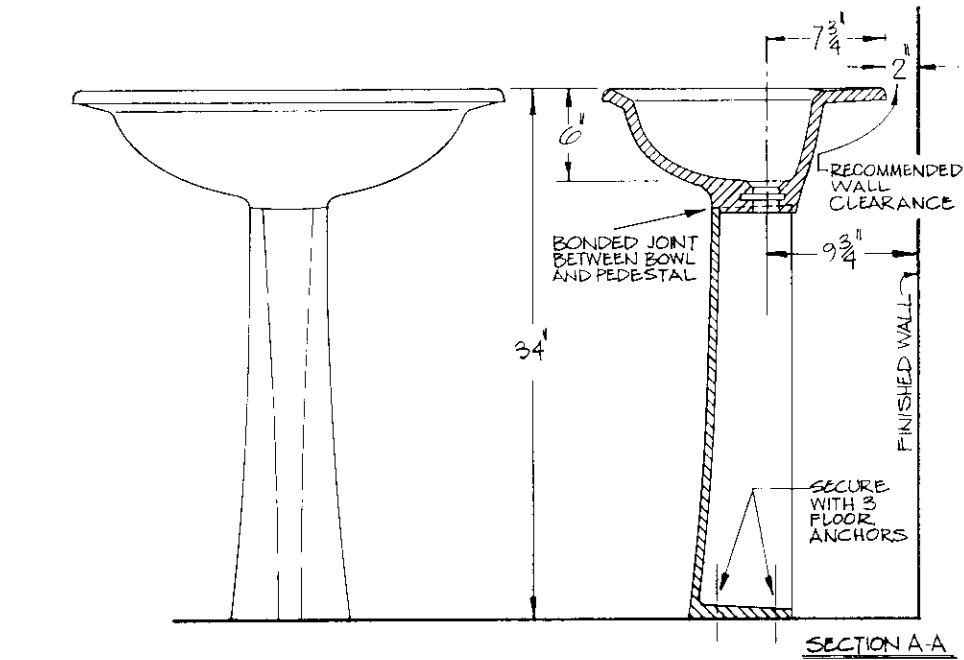
| | | | |
|--------|----------------------------|----------------------|----------------|
| | 22642 | DIAMOND PEDESTAL | |
| | 42642B | FFO-DIAMOND PEDESTAL | |
| | CATALOG No. | DESCRIPTION | LIST PRICE |
| MALE | 22641 | DIAMOND WASHBASIN | |
| FEMALE | 42641B | FFO-DIAMOND BASIN | |
| INSERT | | | |
| NAME | DIAMOND PEDESTAL WASHBASIN | | ©1992 |
| | | | CAST WEIGHT |
| | | | SCALE 1" = 10" |
| | | | DATE 6-9-93 |
| | | | REF. B-PD-764 |



| 22640 | LO-PRO PEDESTAL | |
|-------------|----------------------|------------|
| 426408 | FFO- LO-PRO PEDESTAL | |
| CATALOG No. | DESCRIPTION | LIST PRICE |

| | | | | | |
|--------|---------------------------|-----------------------|-------|---------------|----------------|
| MALE | 22637 | LO-PRO PEDESTAL BASIN | | CAST WEIGHT | |
| FEMALE | 426398 | FFO LO-PRO PED. BASIN | | | SCALE 1" = 10" |
| INSERT | | | | | DATE 6-9-93 |
| NAME | LO-PRO PEDESTAL WASHBASIN | | ©1992 | REF. B-PD-540 | |

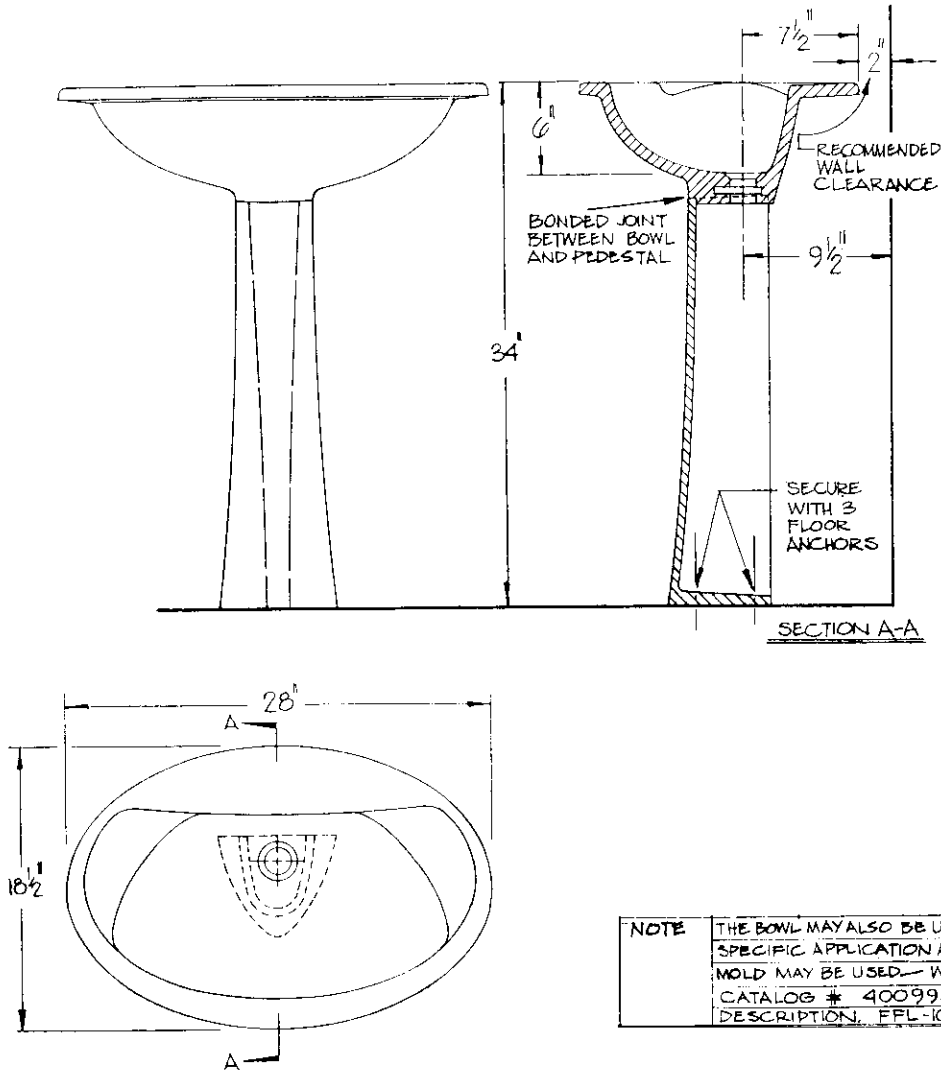
ISSUED BY GRUBER SYSTEMS INC. 25636 AVE. STANFORD, VALENCIA, CA 91355
GRUBER SYSTEMS RESERVES THE RIGHT TO CHANGE THIS INFORMATION AT ANY TIME WITHOUT PRIOR NOTICE



NOTE: THE BOWL MAY ALSO BE USED AS A "DROP-IN" IN THIS SPECIFIC APPLICATION A DIFFERENT BOWL FEMALE MOLD MAY BE USED WITH OVERFLOW PROVISION. CATALOG # 400958 DESCRIPTION: PFL-102-OVAL DELUX

| | CATALOG No. | DESCRIPTION | LIST PRICE |
|--------|----------------------------|-------------------------|------------|
| | 22618 | DELUX PEDESTAL | |
| | 426188 | FFO DELUX PEDESTAL | |
| MALE | 20095 | 102-OVAL DELUX DROP-IN | |
| FEMALE | 426268 | FFO-DELUX OVAL PEDESTAL | |
| INSERT | | | |
| NAME | OVAL DELUX PEDESTAL VANITY | | ©1992 |

| |
|-----------------|
| CAST WEIGHT |
| SCALE 1" = 1'0" |
| DATE 6-9-93 |
| REF. B-PD-1002 |

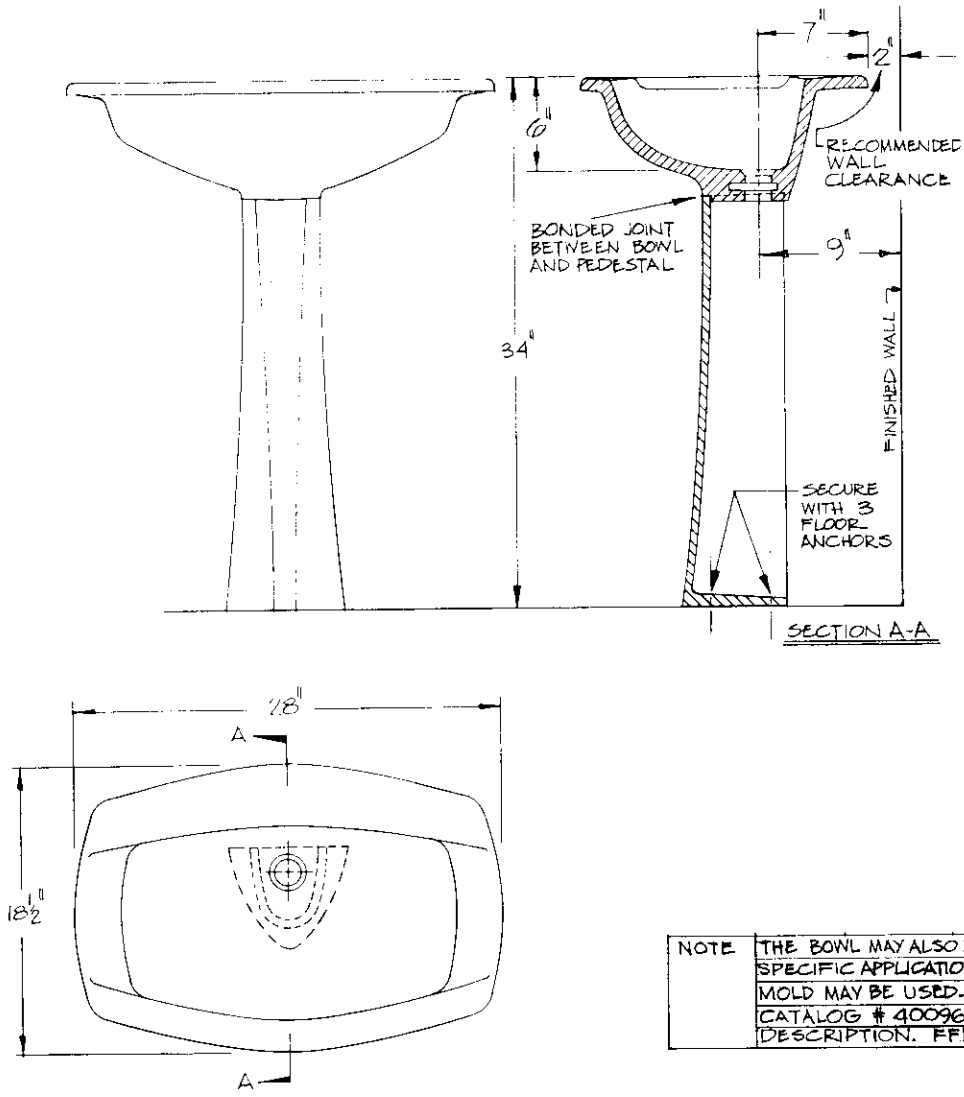


NOTE THE BOWL MAY ALSO BE USED AS A "DROP-IN" IN THIS SPECIFIC APPLICATION A DIFFERENT BOWL FEMALE MOLD MAY BE USED WITH OVERFLOW PROVISION. CATALOG # 400998 DESCRIPTION: FFL-102-DELUX PEARL

| 22618 | DELUX PEDESTAL | |
|-------------|--------------------|------------|
| 426188 | FFO DELUX PEDESTAL | |
| CATALOG No. | DESCRIPTION | LIST PRICE |

| | | | | |
|--------|-----------------------------|--------------------------|-------|-----------------|
| MALE | 20099 | 102-PEARL DELUX DROP IN | | CAST WEIGHT |
| FEMALE | 426278 | FFO PEARL DELUX PEDESTAL | | SCALE 1" = 1'0" |
| INSERT | | | | DATE 6-9-93 |
| NAME | PEARL DELUX PEDESTAL VANITY | | ©1992 | REF. B-PD-1003 |

ISSUED BY GRUBER SYSTEMS INC. 25636 AVE. STANFORD, VALENCIA, CA 91355
GRUBER SYSTEMS RESERVES THE RIGHT TO CHANGE THIS INFORMATION AT ANY TIME WITHOUT PRIOR NOTICE

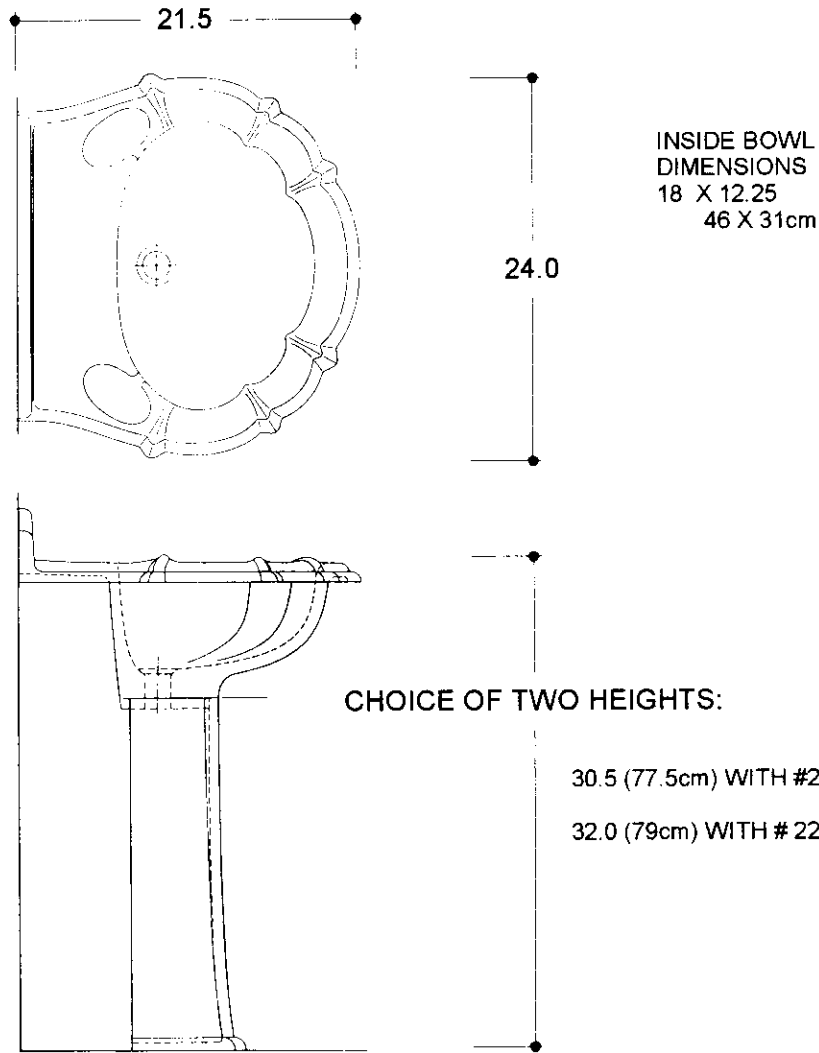


NOTE THE BOWL MAY ALSO BE USED AS A "DROP-IN". IN THIS SPECIFIC APPLICATION A DIFFERENT BOWL FEMALE MOLD MAY BE USED - WITH OVERFLOW PROVISION. CATALOG # 400968 DESCRIPTION: FFL-102-RECT. DELUX

| | | | |
|--------|-----------------------------------|-------------------------|----------------------|
| | 22612 | DELUX PEDESTAL | |
| | 420185 | FFO DELUX PEDESTAL | |
| | CATALOG No. | DESCRIPTION | LIST PRICE |
| MALE | 20046 | 102-RECT. DELUX DROP-IN | |
| FEMALE | 420258 | FFO DELUX RECT. PED. | |
| INSERT | | | |
| NAME | RECTANGULAR DELUX PEDICIN. VANITY | | ©1992 REF. B-PD-1001 |

| |
|-----------------|
| CAST WEIGHT |
| SCALE 1" = 1'0" |
| DATE 6-9-93 |

GRUBER SYSTEMS RESERVES THE RIGHT TO CHANGE THIS INFORMATION AT ANY TIME WITHOUT PRIOR NOTICE ISSUED BY GRUBER SYSTEMS INC., 25636 AVENUE STANFORD, VALENCIA, CA 91355, USA. COPYRIGHT 1997.



| MOLD PART | CATALOG No. | DESCRIPTION |
|--------------------|-------------------------------|---------------------------------------|
| BOWL | | |
| MALE | 22630 M | FDL PEDESTAL BASIN |
| FEMALE | 426308 M | FFO-FDL PEDESTAL NO OVERFLOW |
| FEMALE | 426298 M | FFO-FDL PEDESTAL WITH OVERFLOW |
| PEDESTAL | | |
| MALE | 22631 M | FDL PEDESTAL |
| FEMALE | 426318 M | FFO-FDL PEDESTAL |
| MALE | 22632 M | FDL PEDESTAL TALL |
| FEMALE | 426328 M | FFO-FDL PEDESTAL TALL |
| NAME | FDL PEDESTAL WASHBASIN | |
| CAST WEIGHT | SCALE 1" = 1' 0" | DATE 2-21-96 |
| | | PAGE No. PD 6 |