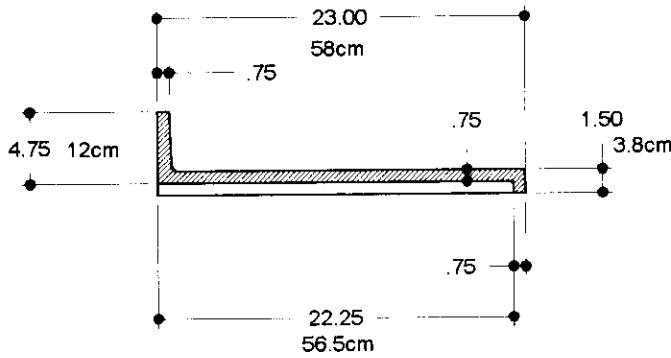
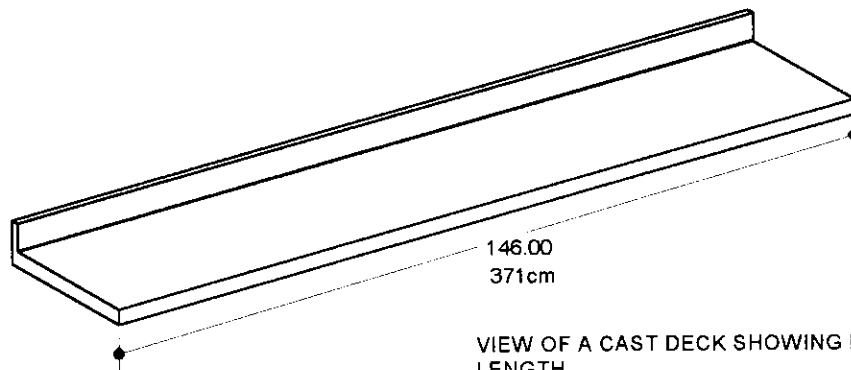


GRUBER SYSTEMS RESERVES THE RIGHT TO CHANGE THIS INFORMATION AT ANY TIME WITHOUT PRIOR NOTICE. ISSUED BY GRUBER SYSTEMS INC., 25638 AVENUE STANFORD, VALENCIA, CA 91355, USA. COPYRIGHT 1995.

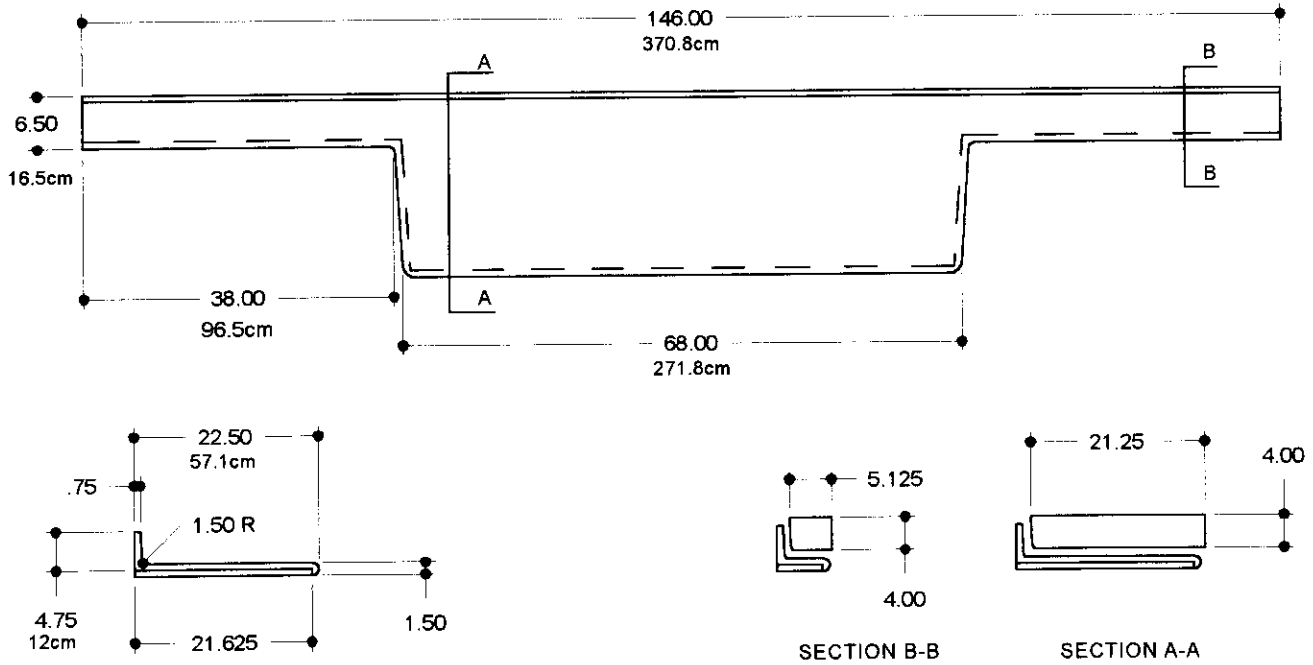


TYPICAL SECTION THROUGH THE DECK  
SCALE 1" = 1' 0"



VIEW OF A CAST DECK SHOWING ITS LENGTH.

MOLD PART	CATALOG No.	DESCRIPTION
MALE	20850-M	540-NB-23 X 146
	20850-D	ALUM. DAM 540-NB-23 X 146
NAME	540-NB-23" X 146" BLUNT NOSE DECK (58cm x 371cm)	
CAST WEIGHT	SCALE NOTED	DATE 3-7-95
		PAGE No. NBD-1



SECTION A-A

SECTION B-B

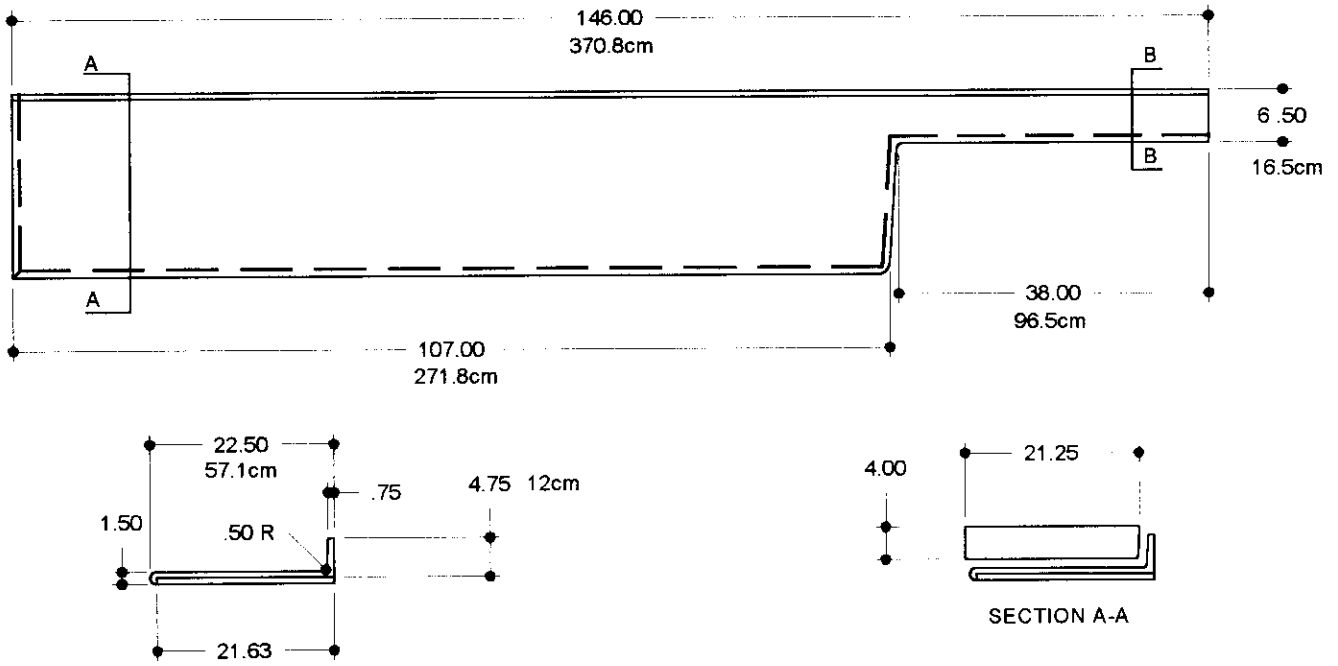
SECTION A-A

END SPLASHES SHOWN ABOVE AND THEIR MIRROR OPPOSITE EQUIVALENTS ARE INCLUDED IN THE MOLD CONFIGURATION.

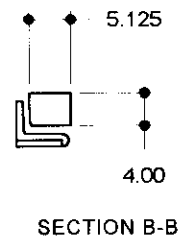
MAJOR IMPERIAL DIMENSIONS ARE SHOWN WITH METRIC EQUIVALENTS. DETAIL CONVERSIONS WILL BE FOUND MULTIPLYING BY 2.54 AND EXPRESSED IN CENTIMETERS.

MOLD PART	CATALOG No.	DESCRIPTION
MALE	<b>20846-M</b>	<b>522-NB-146"-1.5" BN. DBL.</b>
	<b>20846D</b>	<b>STEEL DAM</b>
	<b>010995</b>	<b>YELLOW DIVIDER</b>
	<b>010996</b>	<b>YELLOW DIVIDER</b>
	<b>010994</b>	<b>YELLOW DIVIDER- CLOSED END</b>
NAME	<b>522 DOUBLE BANJO WITH A 1.5" (3.8cm) BULLNOSE EDGE</b>	
CAST WEIGHT	SCALE 1/2" = 1' 0"	DATE 3-6-95 PAGE No. NBD-2

GRUBER SYSTEMS RESERVES THE RIGHT TO CHANGE THIS INFORMATION AT ANY TIME WITHOUT PRIOR NOTICE. ISSUED BY GRUBER SYSTEMS INC., 25636 AVENUE STANFORD, VALENCIA, CA 91355, USA. COPYRIGHT 1995.



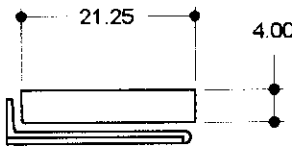
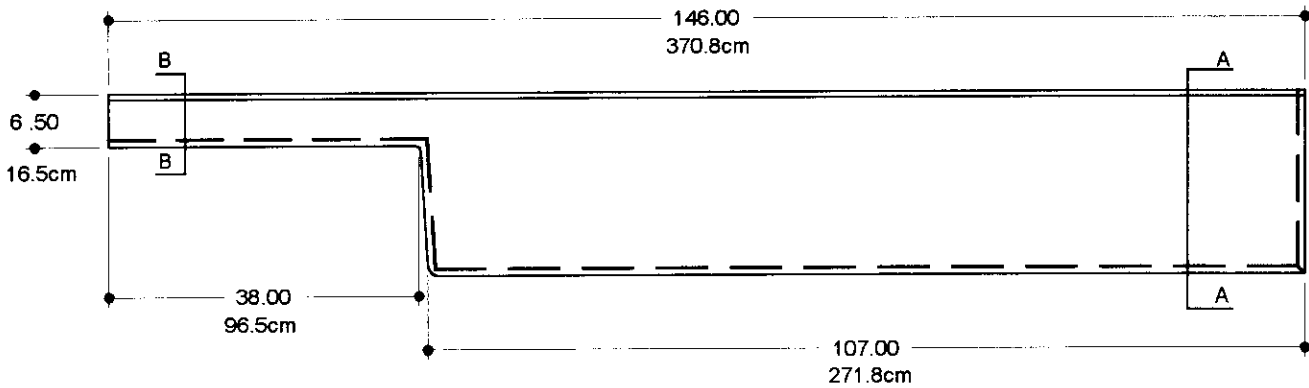
MAJOR IMPERIAL DIMENSIONS ARE SHOWN WITH METRIC EQUIVALENTS. DETAIL CONVERSIONS WILL BE FOUND MULTIPLYING BY 2.54 AND EXPRESSED IN CENTIMETERS.



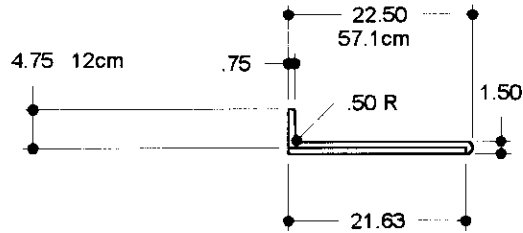
THE TERM "BANJO-LEFT" DESCRIBES A CAST VANITY TOP HAVING SPACE FOR THE LOCATION OF A BOWL OR BOWLS TO THE LEFT OF A NARROW DECK PROJECTION.

END SPLASHES SHOWN ABOVE ARE INCLUDED IN THE MOLD CONFIGURATION.

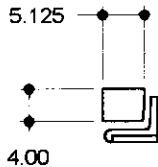
MOLD PART	CATALOG No.	DESCRIPTION
MALE	<b>20847-M</b>	<b>522 BANJO-LEFT 146" X 1.5" (370.8cm X 3.8cm)</b>
FEMALE	<b>20847L</b>	<b>FF BANJO</b>
	<b>20847D</b>	<b>STEEL DAM</b>
	<b>010995</b>	<b>YELLOW DIVIDER</b>
	<b>010996</b>	<b>YELLOW DIVIDER</b>
	<b>010994</b>	<b>YELLOW DIVIDER CLOSED END</b>
NAME	<b>522 BANJO-LEFT WITH A 1.5" (3.8cm) BULLNOSE EDGE</b>	
CAST WEIGHT	SCALE 1/2" = 1' 0"	DATE 3-6-95 PAGE No. NBD-3



SECTION A-A



SECTION A-A



SECTION B-B

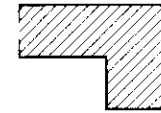
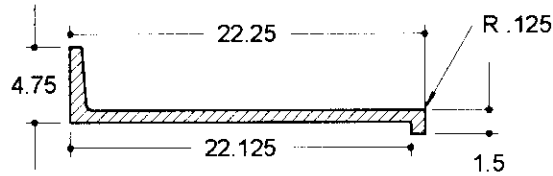
MAJOR IMPERIAL DIMENSIONS ARE SHOWN WITH METRIC EQUIVALENTS. DETAIL CONVERSIONS WILL BE FOUND MULTIPLYING BY 2.54 AND EXPRESSED IN CENTIMETERS.

END SPLASHES SHOWN ABOVE ARE INCLUDED IN THE MOLD CONFIGURATION.

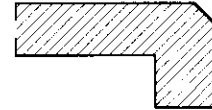
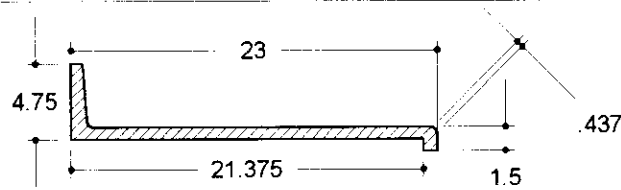
THE TERM "BANJO-RIGHT" DESCRIBES A CAST VANITY TOP HAVING SPACE FOR THE LOCATION OF A BOWL OR BOWLS TO THE **RIGHT** OF A NARROW DECK PROJECTION.

MOLD PART	CATALOG No.	DESCRIPTION
MALE	<b>20848-M</b>	<b>522 BANJO-RIGHT 146" X 1.5" (370.8cm X 3.8cm)</b>
FEMALE	<b>20848R</b>	<b>FF BANJO</b>
	<b>20848D</b>	<b>STEEL DIVIDER</b>
	<b>010995</b>	<b>YELLOW DIVIDER</b>
	<b>010996</b>	<b>YELLOW DIVIDER</b>
	<b>010994</b>	<b>YELLOW DIVIDER CLOSED END</b>
NAME	<b>522 BANJO- RIGHT WITH A 1.5" (3.8cm) BULLNOSE EDGE</b>	
CAST WEIGHT	SCALE 1/2" = 1' 0"	DATE 3-6-95 PAGE No. NBD-4

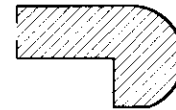
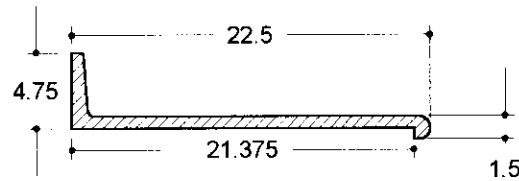
GRUBER SYSTEMS RESERVES THE RIGHT TO CHANGE THIS INFORMATION AT ANY TIME WITHOUT PRIOR NOTICE. ISSUED BY GRUBER SYSTEMS INC., 25636 AVENUE STANFORD, VALENCIA, CA 91355, USA. COPYRIGHT 1996



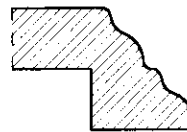
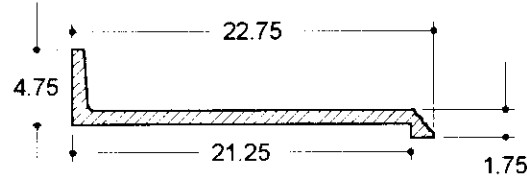
BLUNTNOSE



7/16" CHAMFER



BULLNOSE



TEXAS OG.

TO CONVERT INCHES TO CENTIMETERS MULTIPLY BY 2.54 FOR NEAREST EQUIVALENT.

MOLD PART	CATALOG No.	DESCRIPTION	
MALE	20850 M	META 540-NB-23 X 146	(BLUNT NOSE)
	20850 D	ALUM. DAM 540-NB-23 X 146	
	01120	YEL. DIV. 540-NB-146	
MALE	20849 M	META CHAMFER 111-NB-146	(7/16" CHAMFER)
	20849 D	AL. DAM CHAMFER 111-NB-146	
	01097	YEL. DIV. CHAMFER 111-NB-146	
MALE	20845 M	META 522-NB-146 W/ 1 1/2"	(BULLNOSE)
	20845 D	ALUM. DAM 522-NB-146	
	010995	YEL. DIV. 522 B.NOSE 1 1/2"	
	010993	YEL. DIV. 522-146 CLOSED END	
	010997	YEL. DIV. 1.5" B.N.522 RIGHT	
	010998	YEL. DIV. 1.5" B.N.522 LEFT	
MALE	22288 M	META 139-NB-146 TX	(TEXAS O G)
	010713	BLK. DIV. 139 W/FRONT O G	
	010714	BLK. DIV. 139 DBL	
NAME	NO BOWL DECKS WITH DECORATIVE EDGES		(SECTIONS SHOWN)
CAST WEIGHT	SCALE 1" = 1' 0"	DATE 3-6-69	PAGE No. NBD-5

**22 1/8" DEEP+DRIPLESS EDGE ON 3 SIDES+4 3/4" BACKSPLASH.**

**SERIES 110  
EDGE STYLE**

INCH	CM	CAT No.	DESCRIPTION
25	63.5	20501	110-NB-25
31	78.7	20502	110-NB-31
37	93.9	20503	110-NB-37
43	109.2	20504	110-NB-43
49	124.4	20505	110-NB-49
61	154.9	20506	110-NB-61
73	185.4	20507	110-NB-73
96	243.8	20509	110-NB-96
124	314.9	20512	110-NB-124
146	370.8	20515	110-NB-146

**THERE ARE 4 DIVIDERS AVAILABLE FOR THIS SERIES.**

CAT No.	DESCRIPTION - DECK DIVIDERS
010751	YELLOW DIV 110 X 1/2"
010751R	BLACK DIV 110 X 1/2" W/REINFORCEMENT
010752	YELLOW DIV 110 X 1 1/4"
010752R	BLACK DIV 110 X 1 1/4" W/REINFORCEMENT

**LISTED BELOW ARE RECOMMENDED BOWL DESIGNS WHICH FIT THE 110 EDGE STYLE AND DECK.**

**FLOATING BOWL SELECTION BY STYLE. SEE PAGES REFERENCED FOR MOLD DETAILS.**

OVAL	PAGE	SHELL	PAGE	RECTANGULAR	PAGE	ROUND	PAGE	DESIGNER	PAGE
CC	BF-29	NS	BF-26	RR	BF-11			DE	BF-31
N	BF-27	S	BF-18	RRSD	BF-13			DESD	BF-31
L	BF-40	WSD	BF-16	SH	BF-12			DD	BF-36
LL	BF-44	WX	BF-17	OL	BF-2			HEX	BF-45
CCSD	BF-30	SS	BF-24	RL	BF-8			AA	BF-1
MPL	BF-32	FAB-SHELL	BF-23					CL	BF-3
EL	BF-33	W	BF-15						
CANADIAN	BF-39	P	BF-19						
FAB	BF-42	CANADIAN	BF-38						
V	BF-43								

**DROP-IN BOWL SELECTION BY STYLE. SEE PAGES REFERENCED FOR MOLD DETAILS.**

OVAL	PAGE	SHELL	PAGE	RECTANGULAR	PAGE	ROUND	PAGE	DESIGNER	PAGE
DELUXE	BD-6	FDL-12	BD-3	DELUXE	BD-7	w/SOAP	BD-12	DD	BD-4
16X19	BD-1	OMNI	BD14	16X19	BD-18			AA	BD-11
PEARL	BD-8			OPAL	BD-10			HEX	BD-19
AQ	BD-13							CL	BD-2

**NAME NO BOWL DECKS WITH ASSOCIATED DIVIDERS AND BOWLS 3-6-69 PAGE No. NBD-6**

GRUBER SYSTEMS RESERVES THE RIGHT TO CHANGE THIS INFORMATION AT ANY TIME WITHOUT PRIOR NOTICE. ISSUED BY GRUBER SYSTEMS INC., 25636 AVENUE STANFORD, VALENCIA, CA 91355, USA. COPYRIGHT 1996.

**22 1/8" DEEP+STRAIGHT EDGE ON 3 SIDES+4 3/4" BACKSPLASH.**



INCH	CM	CAT No.	DESCRIPTION
25	63.5	20803	111-NB-25
31	78.7	20805	111NB-31
37	93.9	20807	111-NB-37
43	109.2	20809	111-NB-43
49	124.4	20808	111-NB-49
61	154.9	20810	111-NB-61
73	185.4	20812	111-NB-73
86	218.4	20815	111-NB-96
124	314.9	20831	111-NB-124
146	370.8	20842	111-NB-146

DIVIDERS	
CAT No.	DESCRIPTION - DECK DIVIDERS
010753	111EASY FIT YEL DIV / GRINDING EARS 1 1/4"
010753R	111 EASY FIT YEL DIV / G. EARS 1 1/4" REINF.
01077	111 YELLOW DIVIDER
010771	YELLOW DIV 111 15/16"
010773	YEL DIV 111 (1988)
010773R	BLACK DIV 111 X 1 1/4" W / REINFORCEMENT
010774	YEL DIV 111 X 1/2" (1988)
010774R	BLACK DIV 111 X 1/2" W / REINFORCEMENT

**LISTED BELOW ARE RECOMMENDED BOWL DESIGNS WHICH FIT THE 111 EDGE STYLE AND DECK.**

**FLOATING BOWL SELECTION BY STYLE. SEE PAGES REFERENCED FOR MOLD DETAILS.**

OVAL	PAGE	SHELL	PAGE	RECTANGULAR	PAGE	ROUND	PAGE	DESIGNER	PAGE
CC	BF-29	NS	BF-26	RR	BF-11			DE	BF-31
N	BF-27	S	BF-18	RRSD	BF-13			DESD	BF-31
L	BF-40	WSD	BF-16	SH	BF-12			DD	BF-36
LL	BF-44	WX	BF-17	OL	BF-2			HEX	BF-45
CCSD	BF-30	SS	BF-24	RL	BF-8			AA	BF-1
MPL	BF-32	FAB-SHELL	BF-23					CL	BF-3
EL	BF-33	W	BF-15						
CANADIAN	BF-39	P	BF-19						
FAB	BF-42	CANADIAN	BF38						
V	BF-43								

**DROP-IN BOWL SELECTION BY STYLE. SEE PAGES REFERENCED FOR MOLD DETAILS.**

OVAL	PAGE	SHELL	PAGE	RECTANGULAR	PAGE	ROUND	PAGE	DESIGNER	PAGE
DELUXE	BD-6	FDL-12	BD-3	DELUXE	BD-7	w/SOAP	BD-12	DD	BD-4
16X19	BD-1	OMNI	BD14	16X19	BD-18			AA	BD-11
PEARL	BD-8			OPAL	BD-10			HEX	BD-19
AQ	BD-13							CL	BD-2

**NAME NO BOWL DECKS WITH ASSOCIATED DIVIDERS AND BOWLS. 3-6-69 PAGE No. NBD-7**

**19" DEEP+DRIPLESS EDGE ON 3 SIDES+4 3/4" BACKSPLASH.**

**SERIES 119  
EDGE STYLE**

INCH	CM	CAT No.	DESCRIPTION
25	63.5	21701	119-NB-25
31	78.7	21702	119-NB-31
37	93.9	21703	119-NB-37
49	124.4	21704	119-NB-49
120	304.8	21730	119-NB-120

**THERE ARE 4 DIVIDERS AVAILABLE FOR THIS SERIES.**

01078	YEL DIV 119
01078R	BLK DIV 119
01079	YEL DIV 119-NB-120
01079R	BLK DIV 119-NB-120 W / REINFORCEMENT

**LISTED BELOW ARE RECOMMENDED BOWL DESIGNS WHICH FIT THE 119 EDGE STYLE AND DECK.**

**FLOATING BOWL SELECTION BY STYLE. SEE PAGES REFERENCED FOR MOLD DETAILS.**

OVAL	PAGE	SHELL	PAGE	RECTANGULAR	PAGE	ROUND	PAGE	DESIGNER	PAGE
LN	BF-28	LNS	BF-14	15X12 BAR	BF-4			LDD	BF-37
SL	BF-35	GS	BF-21	15X16 BAR	BF-5				
				B- BAR SINK	BF-6				
G	BF-41	I	BF-22	LRL	BF-7				
				MR	BF-10				

**DROP-IN BOWL SELECTION BY STYLE. SEE PAGES REFERENCED FOR MOLD DETAILS.**

OVAL	PAGE	SHELL	PAGE	RECTANGULAR	PAGE	ROUND	PAGE	DESIGNER	PAGE
				15X16 BAR	BD-15			LDD	BD-5
				15X12 BAR	BD-16				
				19X16 BAR	BD-17				

GRUBER SYSTEMS RESERVES THE RIGHT TO CHANGE THIS INFORMATION AT ANY TIME WITHOUT PRIOR NOTICE. ISSUED BY GRUBER SYSTEMS INC., 25636 AVENUE STANFORD, VALENCIA, CA 91355, USA. COPYRIGHT 1986.



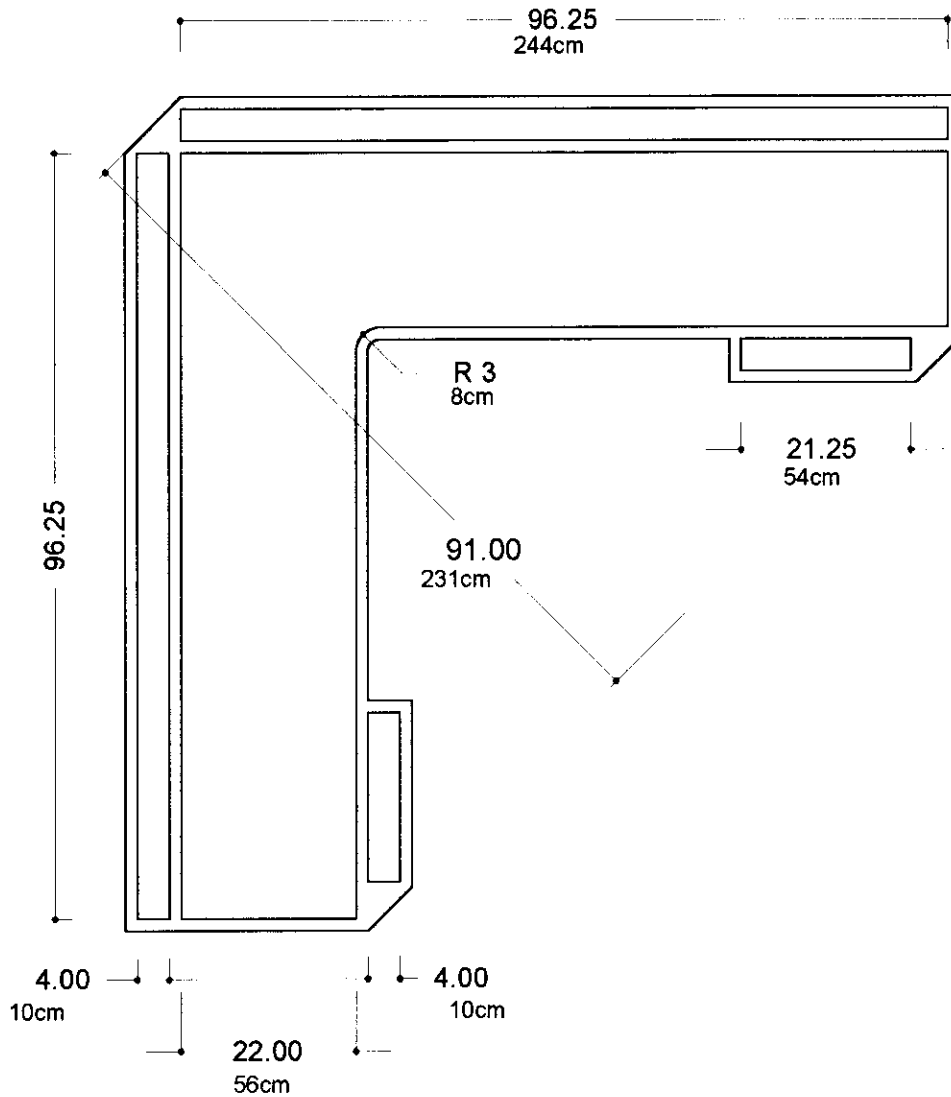
GRUBER SYSTEMS RESERVES THE RIGHT TO CHANGE THIS INFORMATION AT ANY TIME WITHOUT PRIOR NOTICE ISSUED BY GRUBER SYSTEMS INC., 25636 AVENUE STANFORD, VALENCIA, CA 91355, USA. COPYRIGHT 1996.

**END SPLASHES FOR NO BOWL DECKS**

DECK SERIES	LENGTH		HEIGHT	MOLD CAVITIES	CAT No.	DESCRIPTION
	INCH	CM	INCH			
109	21 5/8	54.9	4	2	22704	160-4
110,111,112	21 1/8	53.3	4	12	22702	160-2
110,111,112	21 1/4	54	4	12	22703	160-3
110,111,112	21 1/4	54	4	2	22708	160-8
110,111,112	21 1/4	54	4	6	22723	160-16
117,217	16 3/8	41.6	3	2	22709	160-9
119,219	18 1/4	46.4	4	2	22707	160-7
125	23 3/8	59.4	4	2	22711	160-11
130,132	24 5/16	61.7	4	2	22701	160-1
136	21 1/4	54	4	4	22710	160-10
138	20 3/4	52.7	3 13/16	6	22724	160-17
139	21 1/8	53.3	3 11/16	6	22728	160-21
230	29 1/8	74	4	2	22720	160-12
422	21 5/8	554.9	1 1/4	2	22725	160-18

**BACKSPLASHES FOR NO BOWL DECKS**

	LENGTH		HEIGHT	MOLD CAVITIES	CAT No.	DESCRIPTION
	INCH	CM	INCH			
	120	304.8	3	5	22712	163
	120	304.8	4	4	22713	164
	120	304.8	4 1/2	5	227131	164-5
	120	304.8	5	5	22714	165
	120	304.8	6	3	22715	166
	120	304.8	7	3	22716	167
	120	304.8	8	3	22717	168
	120	304.8	10	3	22718	1610
	120	304.8	12	2	22719	1612



THIS IS A PLAN VIEW OF THE MOLD SHOWING THE L-SHAPED VANITY AND ITS ASSOCIATED BACK AND SIDE SPLASH CAVITIES.

ALL CAVITIES ARE .75 ( 2cm) DEEP.

MOLD PART	CATALOG No.	DESCRIPTION
MALE	<b>22300-M</b>	<b>96 X 96 L-SHAPED VAN.</b>
NAME	<b>96 X 96 L-SHAPED VAN. (244 X 244cm)</b>	
CAST WEIGHT	SCALE 1/2" = 1'0"	DATE 3-6-69 PAGE No. NBD-11