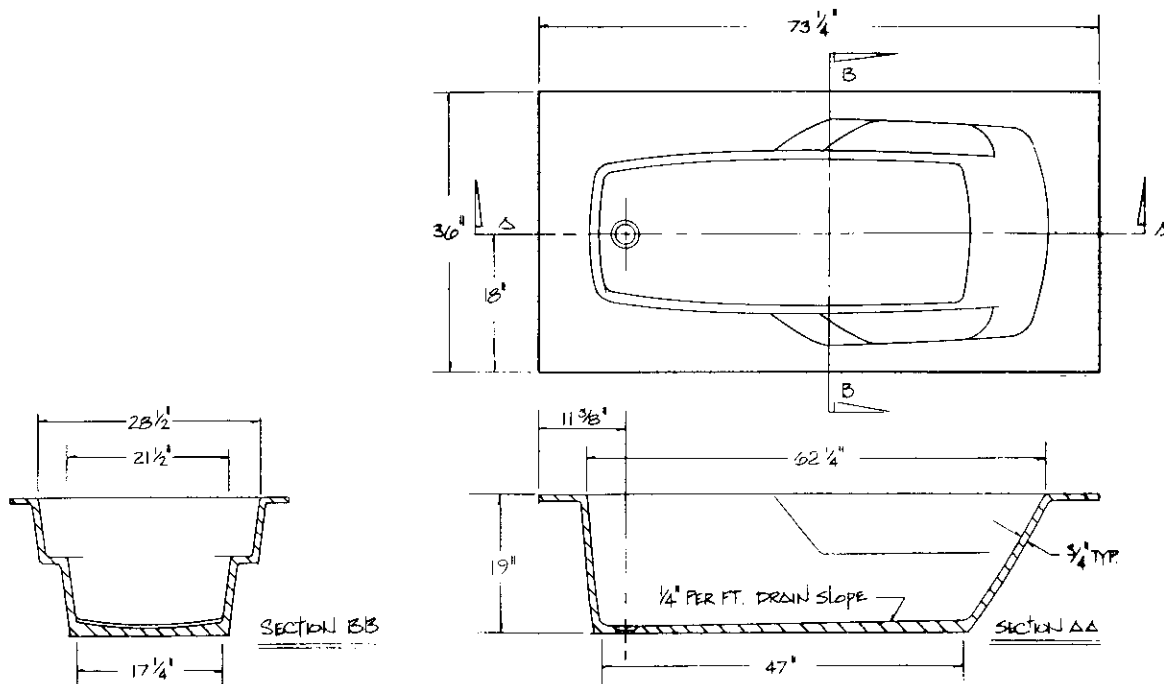


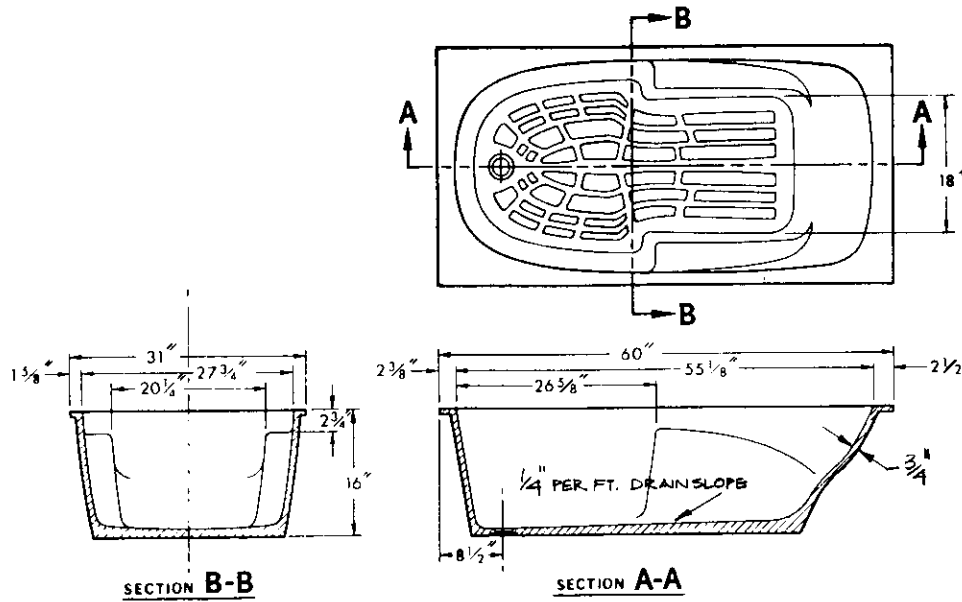
ISSUED BY GRUBER SYSTEMS INC. 25636 AVE. STANFORD, VALENCIA, CA 91355
GRUBER SYSTEMS RESERVES THE RIGHT TO CHANGE THIS INFORMATION AT ANY TIME WITHOUT PRIOR NOTICE



29108	SPEEDY PLUG	
490081	F-MK 8 DECK	
490082	F-MK 8 BOTTOM	
CATALOG No.	DESCRIPTION	LIST PRICE

MALE	29008	MK 8 MALE		CAST WEIGHT	
FEMALE	490088	F-MK 8 ONE PIECE			SCALE 1/2" = 1'0"
INSERT					DATE 4-20-92
NAME	MK 8 BATHTUB 73 1/4" x 36" x 19"		©1992	REF. B-PD-1049	

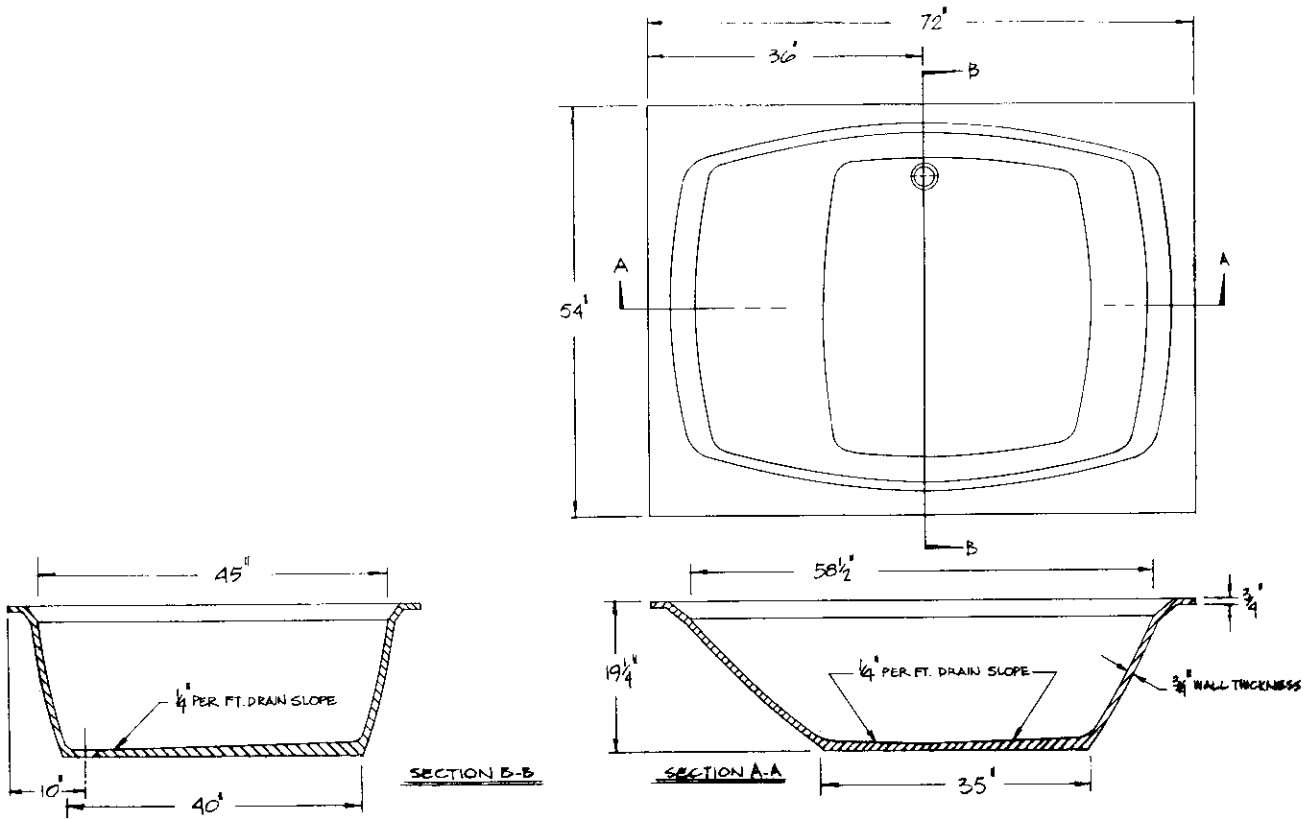
ISSUED BY GRUBER SYSTEMS INC. 25636 AVE. STANFORD, VALENCIA, CA 91355
 GRUBER SYSTEMS RESERVES THE RIGHT TO CHANGE THIS INFORMATION AT ANY TIME WITHOUT PRIOR NOTICE



29112	SPEEDY PLUG	
490121	F-MK12 DECK	
490122	F-MK12 BOTTOM	
CATALOG No.	DESCRIPTION	LIST PRICE

MALE	29012	MK 12 MALE		CAST WEIGHT
FEMALE	490128	F-MK 12 ONE PIECE		SCALE 1/2" = 1'0"
INSERT				DATE 4-20-92
NAME	MK 12 BATHTUB 60" x 31" x 16"		©1992	REF. B-PD-BOS

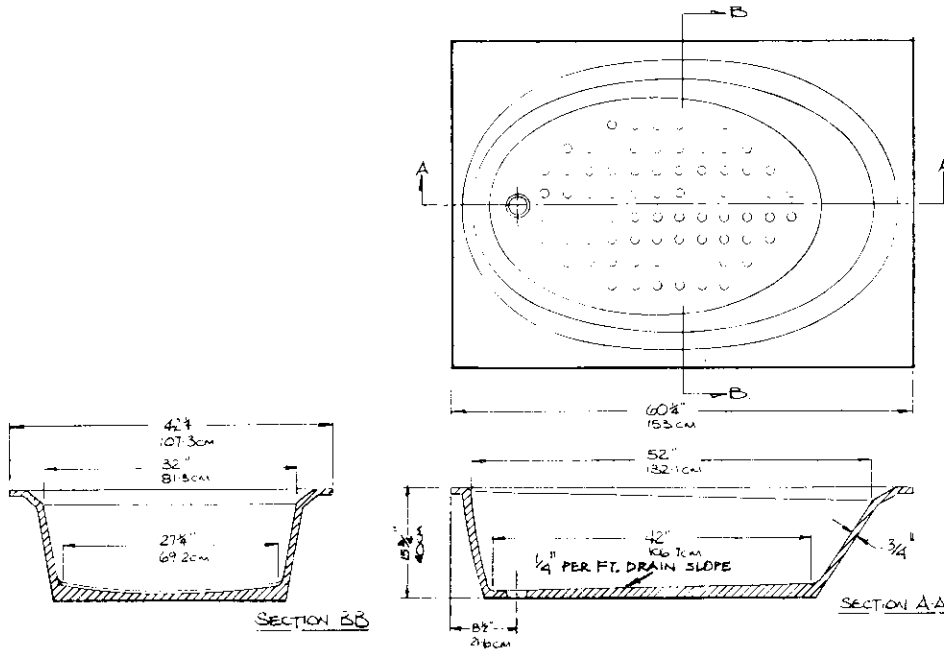
25636 AVE. STANFORD, VALENCIA, CA 91355
 ISSUED BY GRUBER SYSTEMS INC.
 GRUBER SYSTEMS RESERVES THE RIGHT TO CHANGE THIS INFORMATION AT ANY TIME WITHOUT PRIOR NOTICE



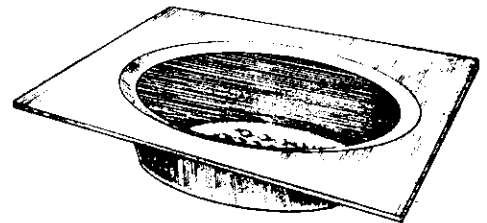
29113	SPEEDY PLUG	
490131	F-MK13 DECK	
490132	F-MK13 BOTTOM	
CATALOG No.	DESCRIPTION	LIST PRICE

MALE	29013	MK13 MALE		CAST WEIGHT SCALE 1/2" = 1'0" DATE 4-15-92
FEMALE	490138	F-MK13 ONE PIECE		
INSERT				
NAME	MK13 BATHTUB 72" X 54" X 19 1/4"		©1992	REF. B-PD-870

ISSUED BY GRUBER SYSTEMS INC. 25636 AVE. STANFORD, VALENCIA, CA 91355
 GRUBER SYSTEMS RESERVES THE RIGHT TO CHANGE THIS INFORMATION AT ANY TIME WITHOUT PRIOR NOTICE

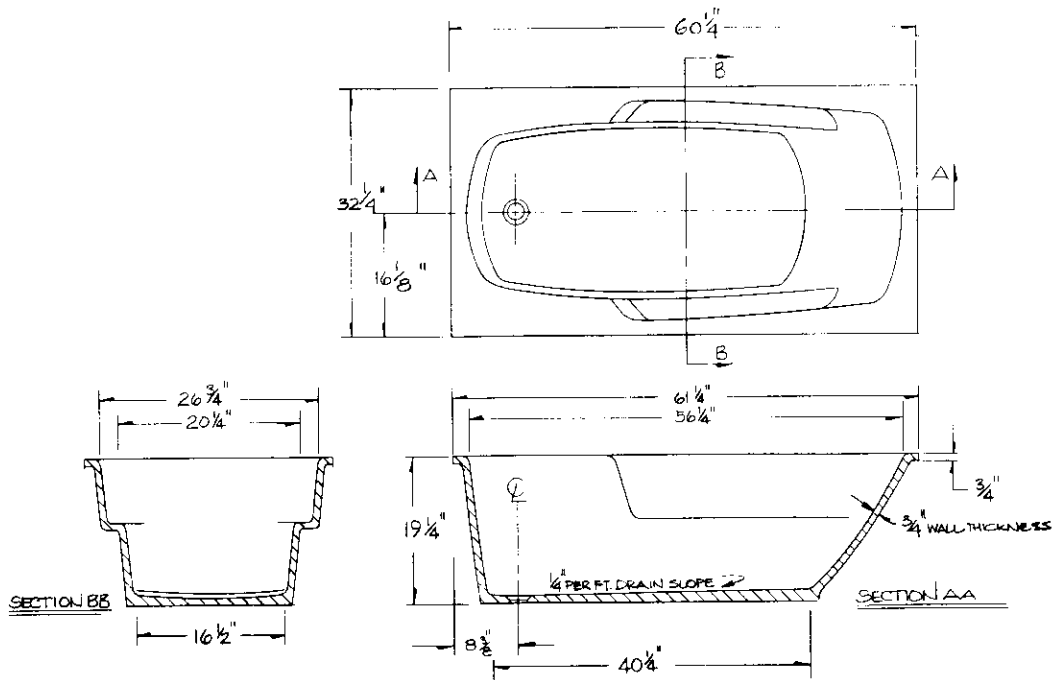


NOTE: THE SPEEDY PLUGS FOR MK 14 & 21 ARE INTERCHANGABLE.



CATALOG No.	DESCRIPTION	LIST PRICE		
29114	SPEEDY PLUG			
490141	F-MK 14 DECK			
490142	F-MK 14 BOTTOM			
MALE	29014	MK 14 MALE	CAST WEIGHT SCALE 1/2" = 1'0" DATE 4-20-92	
FEMALE	490148	F-MK 14 ONE PIECE		
INSERT				
NAME	MK 14 BATHTUB	60 1/4" x 42 1/4" x 15 3/4"	©1992	REF. B-PD-306

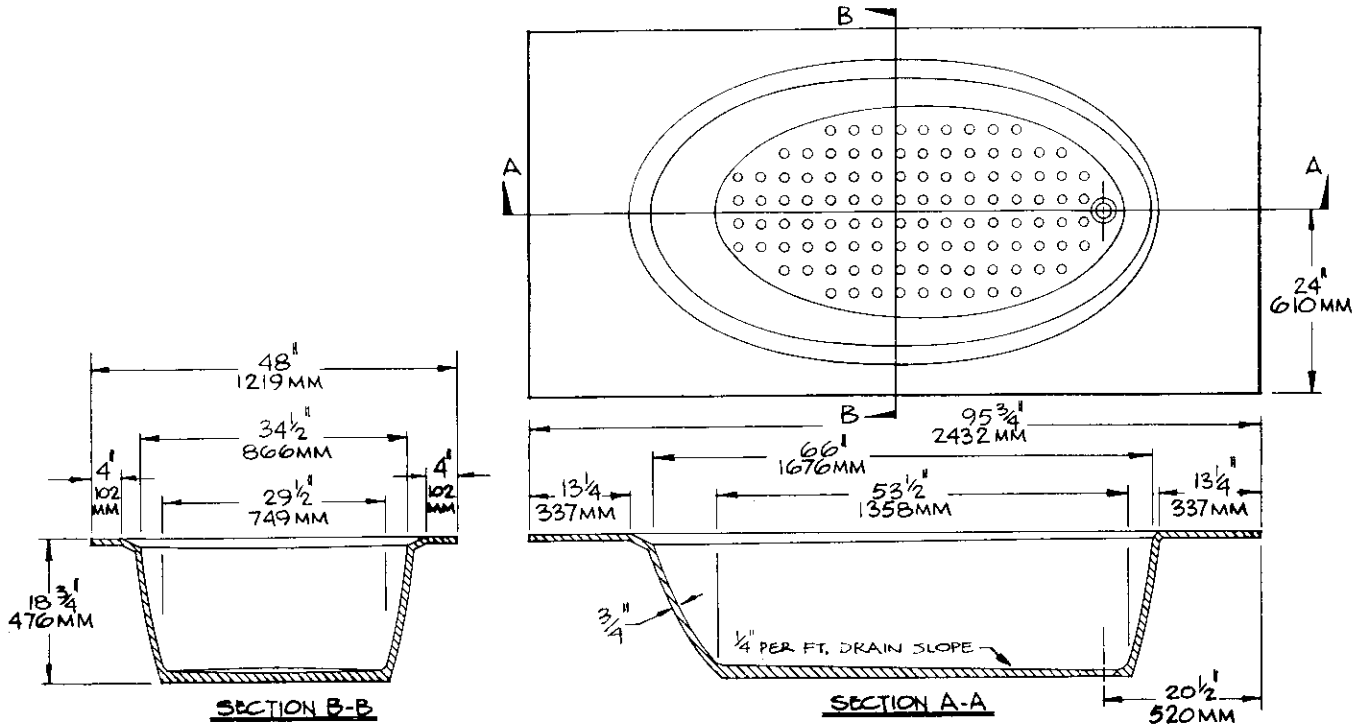
ISSUED BY GRUBER SYSTEMS INC. 25636 AVE. STANFORD, VALENCIA, CA 91355
GRUBER SYSTEMS RESERVES THE RIGHT TO CHANGE THIS INFORMATION AT ANY TIME WITHOUT PRIOR NOTICE



29109	SPEEDY PLUG	
490091	F-MK9 DECK	
490092	F-MK9 BOTTOM	
CATALOG No.	DESCRIPTION	LIST PRICE

MALE	29009	MK9 MALE		CAST WEIGHT	
FEMALE	490098	F-MK9 ONE PIECE			SCALE 1/2" = 1'0"
INSERT					DATE 4-14-92
NAME	MK9 BATHTUB 61"X32"X19 1/4"		©1992	REF. B-PD-809	

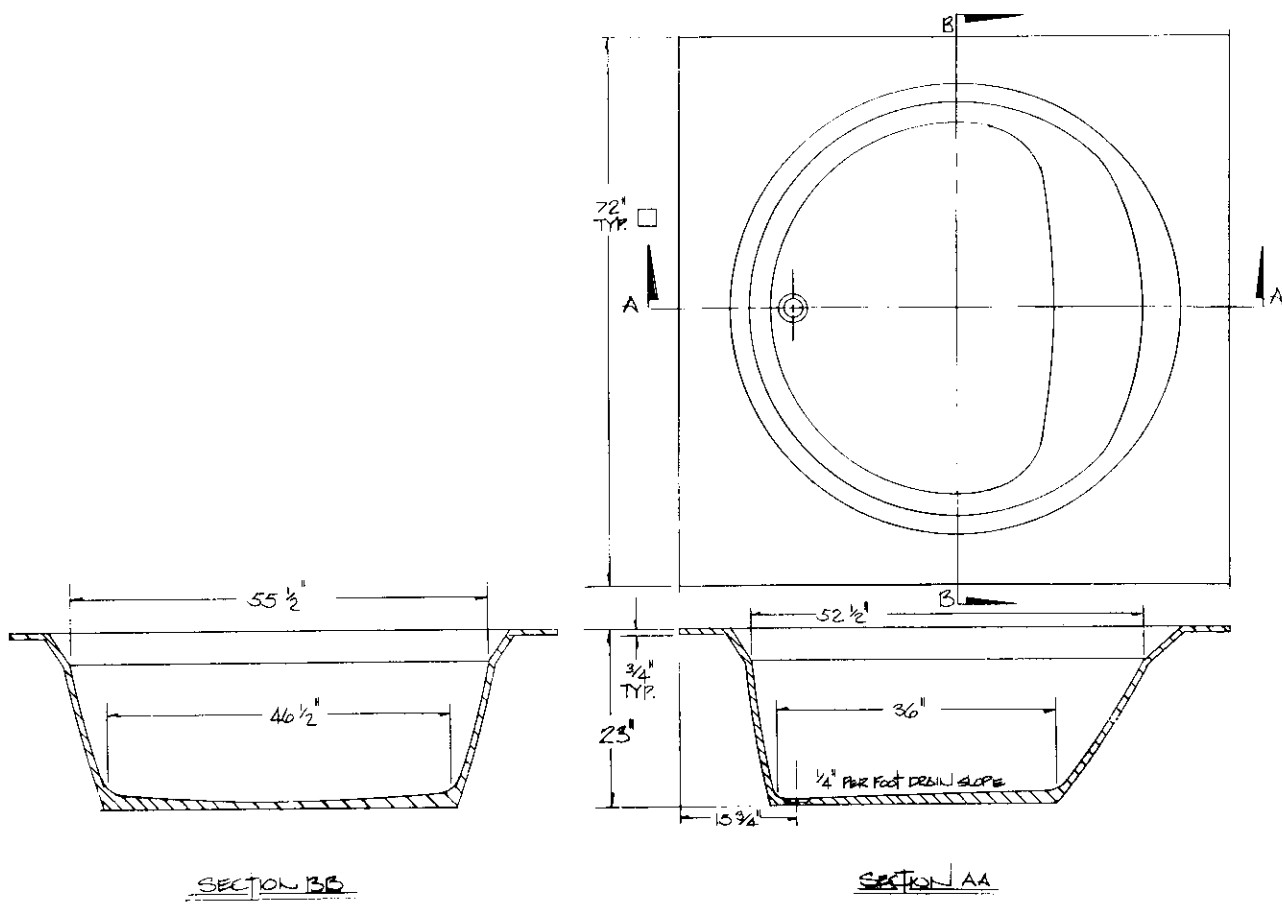
25636 AVE. STANFORD, VALENCIA, CA 91355
 GRUBER SYSTEMS RESERVES THE RIGHT TO CHANGE THIS INFORMATION AT ANY TIME WITHOUT PRIOR NOTICE
 ISSUED BY GRUBER SYSTEMS INC.



29115	SPEEDY PLUG	
490151	F-MK15 DECK	
490152	F MK 15 BOTTOM	
CATALOG No.	DESCRIPTION	LIST PRICE

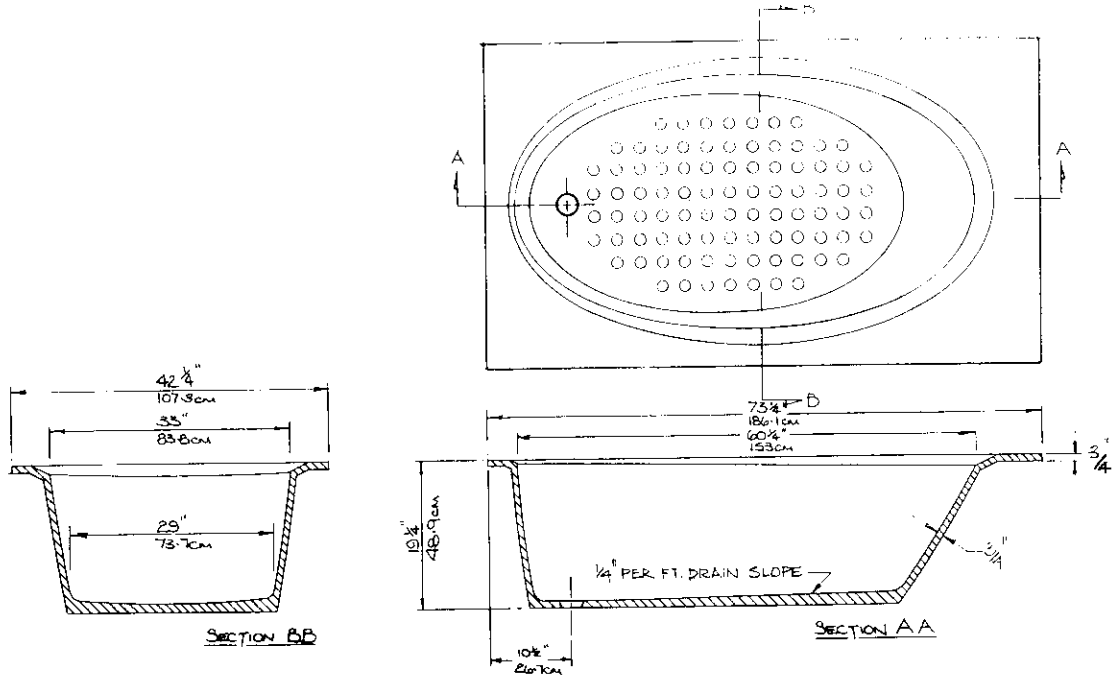
MALE	29015	MK15 MALE		CAST WEIGHT SCALE 1/2" = 1'0" DATE 4-14-92 REF. B-PD-984
FEMALE	49015B	F-MK15 ONE PIECE		
INSERT	490154	F-MK15 INSERT		
NAME	MK15 BATHTUB 95 3/4" X 48" X 18 3/4"		©1992	

25636 AVE. STANFORD, VALENCIA, CA 91355
 ISSUED BY GRUBER SYSTEMS INC.
 GRUBER SYSTEMS RESERVES THE RIGHT TO CHANGE THIS INFORMATION AT ANY TIME WITHOUT PRIOR NOTICE



	29116	SPEEDY PLUG	
	490161	F-MK10 DECK	
	490162	F-MK10 BOTTOM	
	CATALOG No.	DESCRIPTION	LIST PRICE
MALE	29016	MK10 MALE	
FEMALE	490168	F-MK10 ONE PIECE	
INSERT			
NAME	MK10 BATHTUB 72" X 72" X 23"		©1992
			CAST WEIGHT
			SCALE 1/2" = 1'0"
			DATE 4-16-92
			REF. B-PD-1330

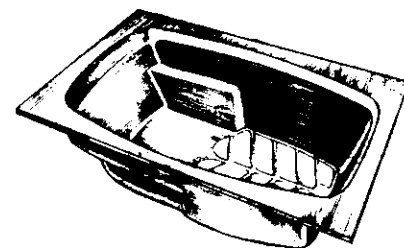
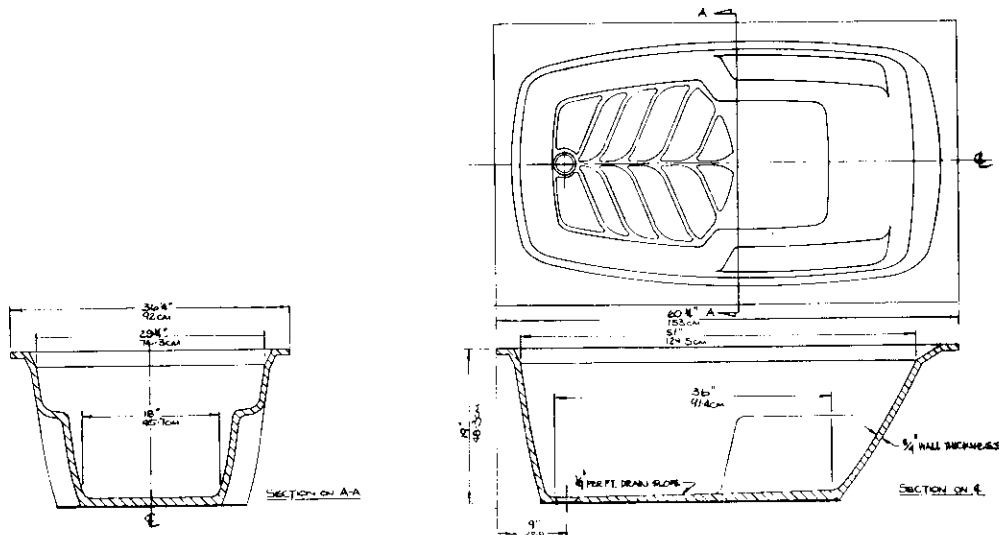
25636 AVE. STANFORD, VALENCIA, CA 91355
ISSUED BY GRUBER SYSTEMS INC.
GRUBER SYSTEMS RESERVES THE RIGHT TO CHANGE THIS INFORMATION AT ANY TIME WITHOUT PRIOR NOTICE



	29110	SPEEDY PLUG	
	490171	F-MK17 DECK	
	490172	F-MK17 BOTTOM	
	CATALOG No.	DESCRIPTION	LIST PRICE

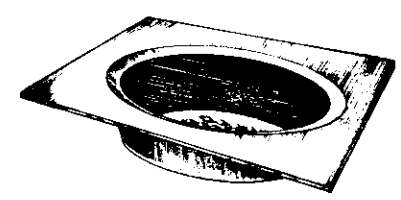
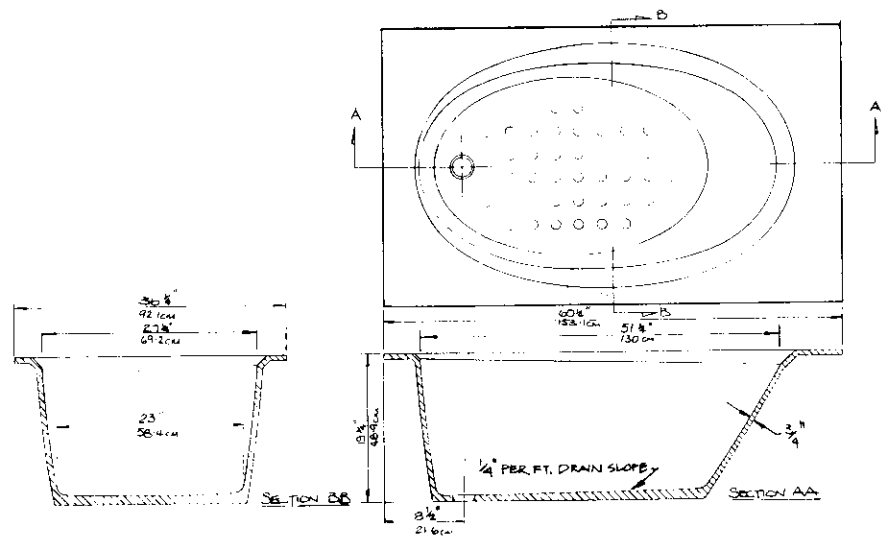
MALE	29017	MK17 MALE		CAST WEIGHT	
FEMALE	490178	F-MK17 ONE PIECE			SCALE 1/2" = 1'0"
INSERT	490173	F-MK17 INSERT			DATE 4-16-92
NAME	MK 17 BATHTUB 73 1/4" X 42 1/4" X 19 1/4"		©1992	REF. B-PD-1244	

ISSUED BY GRUBER SYSTEMS INC. 25636 AVE. STANFORD, VALENCIA, CA 91355
GRUBER SYSTEMS RESERVES THE RIGHT TO CHANGE THIS INFORMATION AT ANY TIME WITHOUT PRIOR NOTICE



	29118	SPEEDY PLUG	
	490181	F-MK18 DECK	
	490182	F-MK18 BOTTOM	
	CATALOG No.	DESCRIPTION	LIST PRICE
MALE	29018	MK18 MALE	
FEMALE	490188	F-MK18 ONEPIECE	
INSERT			
NAME	MK18 BATHTUB 60 1/4" x 36 1/4" x 19"		©1992
			CAST WEIGHT
			SCALE 1/2" = 1'0"
			DATE 4-20-92
			REF. B-PD-300

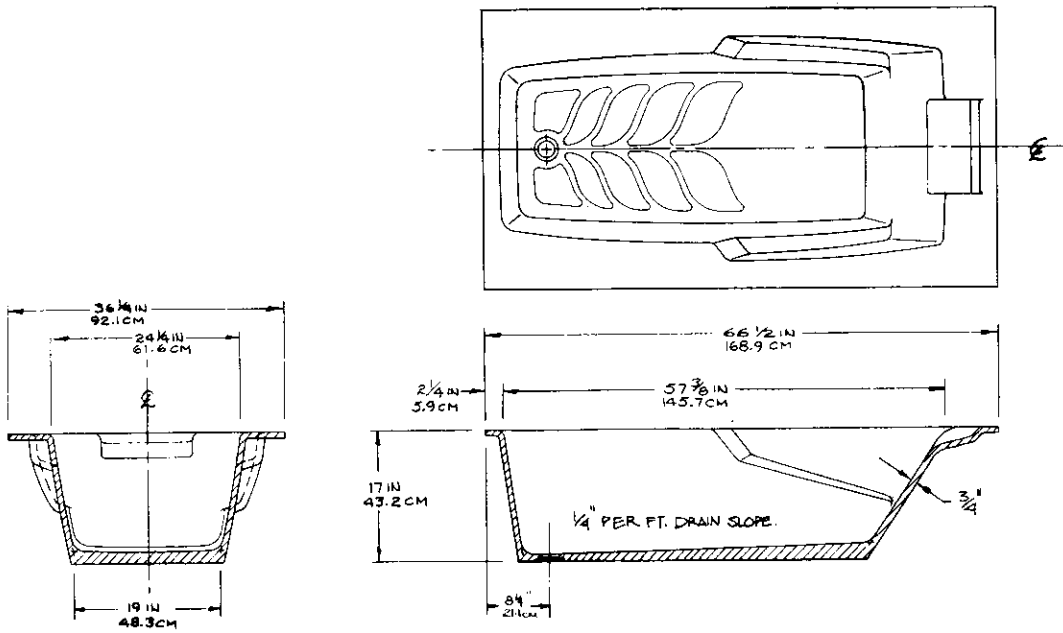
ISSUED BY GRUBER SYSTEMS INC. 25636 AVE. STANFORD, VALENCIA, CA 91355
GRUBER SYSTEMS RESERVES THE RIGHT TO CHANGE THIS INFORMATION AT ANY TIME WITHOUT PRIOR NOTICE



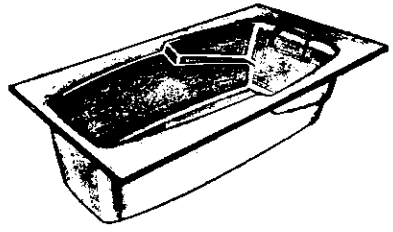
29119	SPEEDY PLUG	
490191	F-MK19 DECK	
490192	F-MK19 BOTTOM	
CATALOG No.	DESCRIPTION	LIST PRICE

MALE	29019	MK19 MALE		CAST WEIGHT
FEMALE	490198	F-MK19 ONE PIECE		
INSERT				
NAME	MK19 BATHTUB 60 1/4" x 30 1/4" x 19 1/4"		©1992	REF. B-PD-304

ISSUED BY GRUBER SYSTEMS INC. 25636 AVE. STANFORD, VALENCIA, CA 91355
GRUBER SYSTEMS RESERVES THE RIGHT TO CHANGE THIS INFORMATION AT ANY TIME WITHOUT PRIOR NOTICE

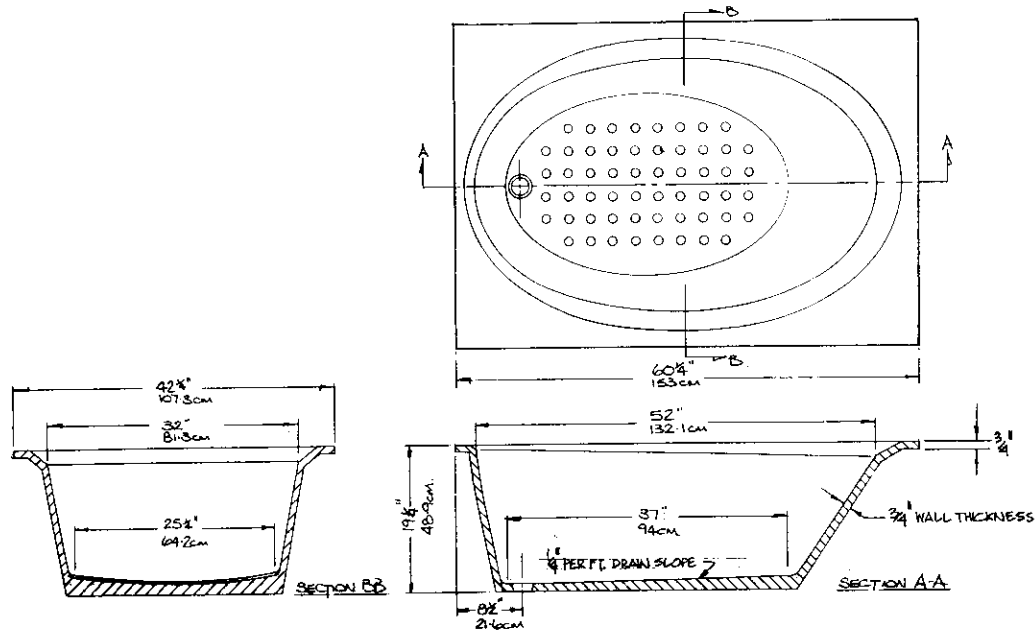


	29120	SPEEDY PLUG	
	CATALOG No.	DESCRIPTION	LIST PRICE
MALE	29020	MK 20 MALE	
FEMALE	49020B	F-MK 20 ONE PIECE	
INSERT			
NAME	MK 20 BATHTUB 66 1/2" x 36 1/4" x 17"		©1992



CAST WEIGHT
SCALE 1/2" = 1'0"
DATE 4-20-92
REF. B-PD-29B

ISSUED BY GRUBER SYSTEMS INC. 25636 AVE. STANFORD, VALENCIA, CA 91355
GRUBER SYSTEMS RESERVES THE RIGHT TO CHANGE THIS INFORMATION AT ANY TIME WITHOUT PRIOR NOTICE

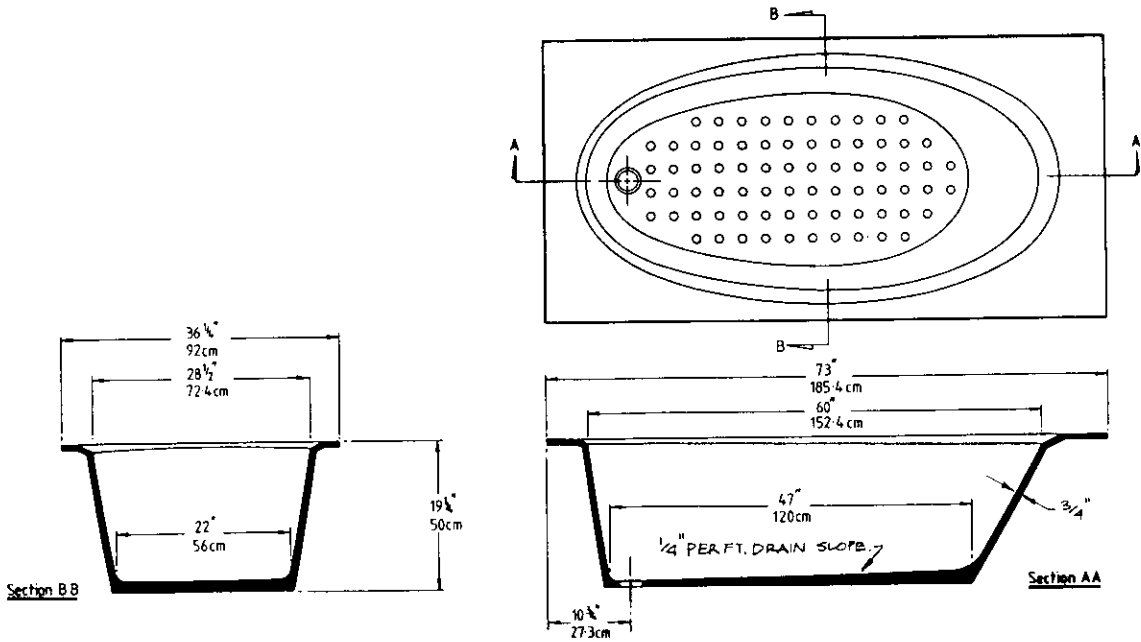


NOTE: THE SPEEDY PLUGS FOR MK 14 & 21 ARE INTERCHANGABLE.

	29114	SPEEDY PLUG	
	490211	F-MK 21 DECK	
	490212	F-MK 21 BOTTOM	
	CATALOG No.	DESCRIPTION	LIST PRICE

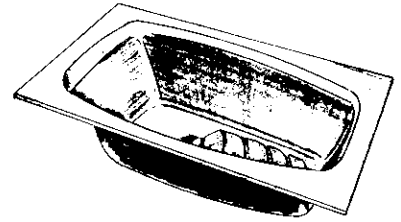
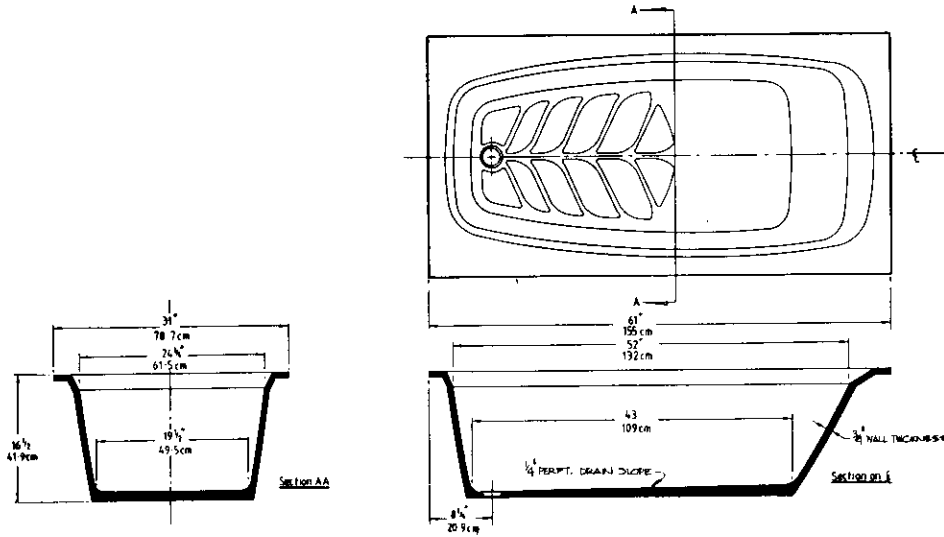
MALE	29021	MK 21 MALE		CAST WEIGHT
FEMALE	49021B	F-MK 21 ONE PIECE		
INSERT				
NAME	MK 21 BATHTUB 60 1/4" x 42 1/4" x 19 1/4"		©1992	SCALE 1/2" = 1'0" DATE 4-10-92 REF. B-PD-1245

25636 AVE. STANFORD, VALENCIA, CA 91355
 ISSUED BY GRUBER SYSTEMS INC.
 GRUBER SYSTEMS RESERVES THE RIGHT TO CHANGE THIS INFORMATION AT ANY TIME WITHOUT PRIOR NOTICE



	29122	SPEEDY PLUG	
	490221	F-MK22 DECK	
	490222	F-MK22 BOTTOM	
	CATALOG No.	DESCRIPTION	LIST PRICE
MALE	29022	MK 22 MALE	
FEMALE	490228	F-MK22 ONE PIECE	
INSERT			
NAME	MK 22 BATHTUB 73" x 36 1/4" x 19 1/4"		©1992
			CAST WEIGHT
			SCALE 1/2" = 1' 0"
			DATE 4-20-92
			REF. B-PD-400

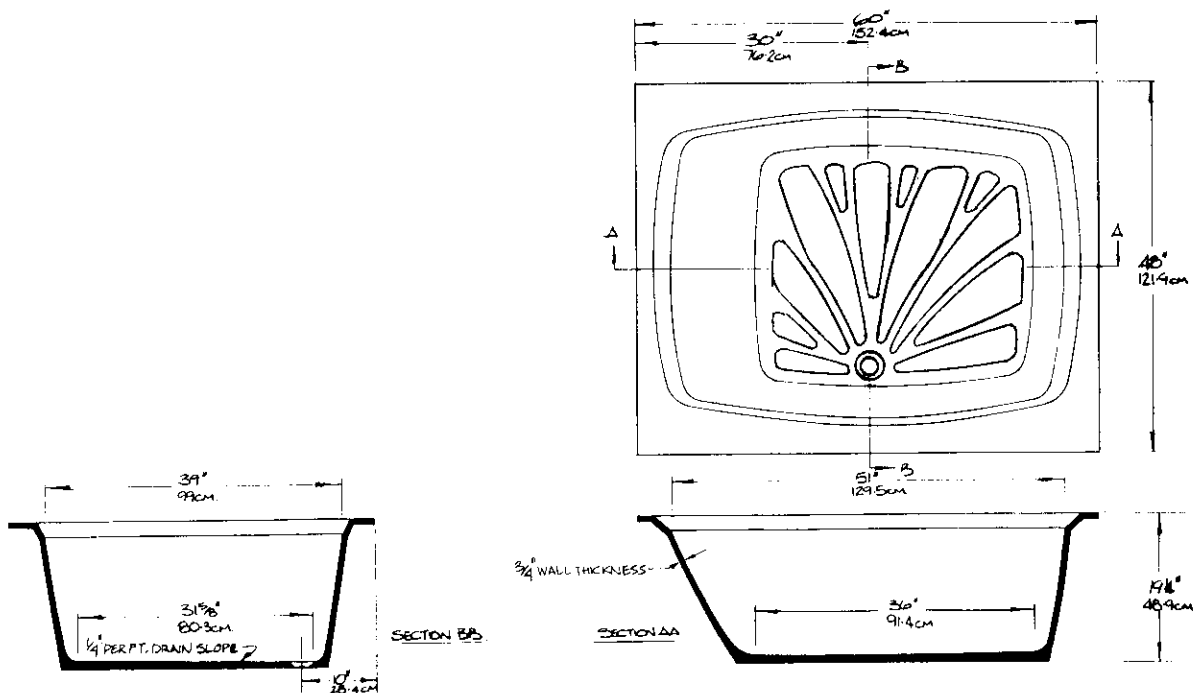
ISSUED BY GRUBER SYSTEMS INC. 25636 AVE. STANFORD, VALENCIA, CA 91355
GRUBER SYSTEMS RESERVES THE RIGHT TO CHANGE THIS INFORMATION AT ANY TIME WITHOUT PRIOR NOTICE



29123	SPEEDY PLUG	
490231	F-MK 23 DECK	
490232	F-MK 23 BOTTOM	
CATALOG No.	DESCRIPTION	LIST PRICE

MALE	29023	MK 23 MALE		CAST WEIGHT	
FEMALE	49023B	F - MK 23 ONE PIECE			SCALE 1/2" = 1'0"
INSERT					DATE 4-20-92
NAME	MK 23 BATHTUB 61" x 31" x 16 1/2"		©1992	REF. B-PD-411	

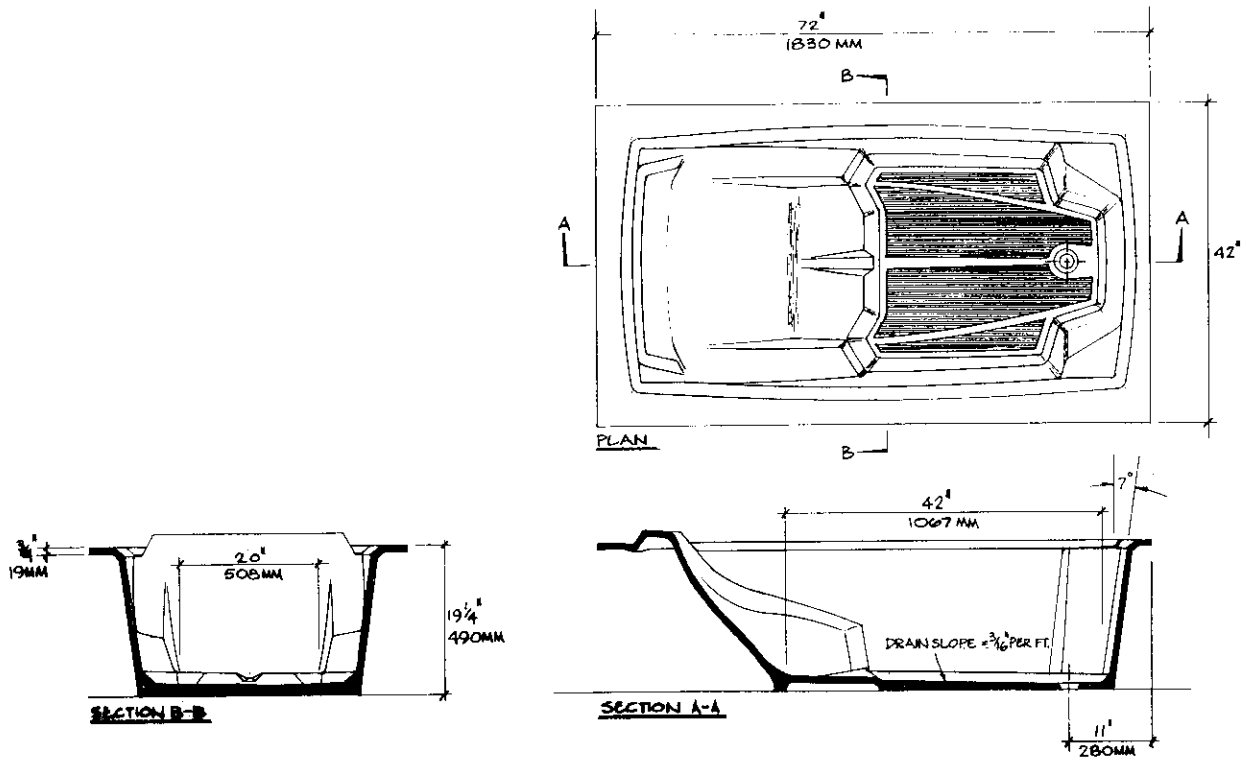
ISSUED BY GRUBER SYSTEMS INC. 25636 AVE. STANFORD, VALENCIA, CA 91355
GRUBER SYSTEMS RESERVES THE RIGHT TO CHANGE THIS INFORMATION AT ANY TIME WITHOUT PRIOR NOTICE



	CATALOG No.	DESCRIPTION	LIST PRICE
	490241	F - MK 24 DECK	
	490242	F - MK 24 BOTTOM	
MALE	29024	MK 24 MALE	
FEMALE	490248	F - MK 24 ONE PIECE	
INSERT			
NAME	MK 24 BATHTUB 60" x 48" x 19 1/4"		©1992

COST WEIGHT
SCALE 1/2" = 1'0"
DATE 4-20-92
REF. B-PD-481

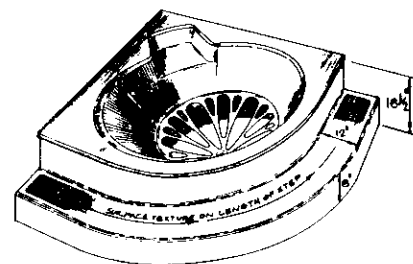
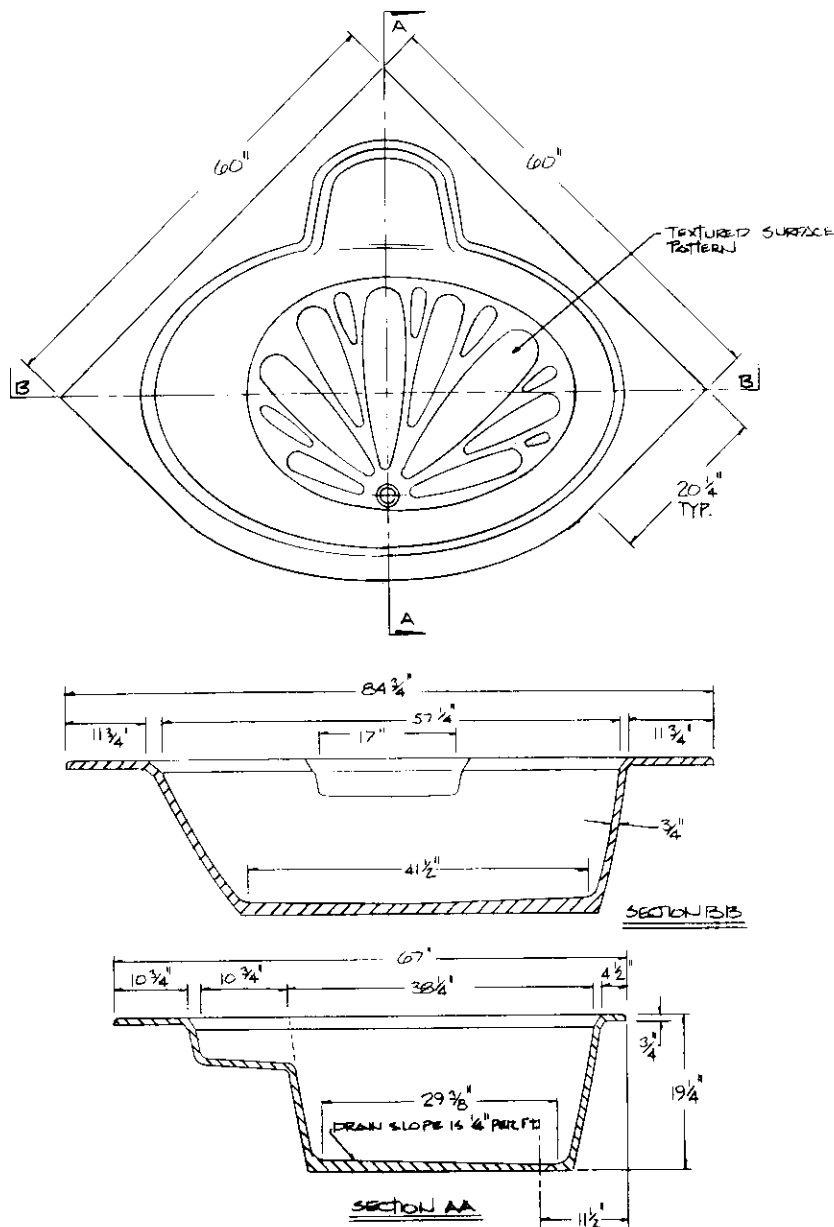
ISSUED BY GRUBER SYSTEMS INC. 25636 AVE. STANFORD, VALENCIA, CA 91355
GRUBER SYSTEMS RESERVES THE RIGHT TO CHANGE THIS INFORMATION AT ANY TIME WITHOUT PRIOR NOTICE



490251	F-MK25 DECK	
490252	F-MK25 BOTTOM	
CATALOG No.	DESCRIPTION	LIST PRICE

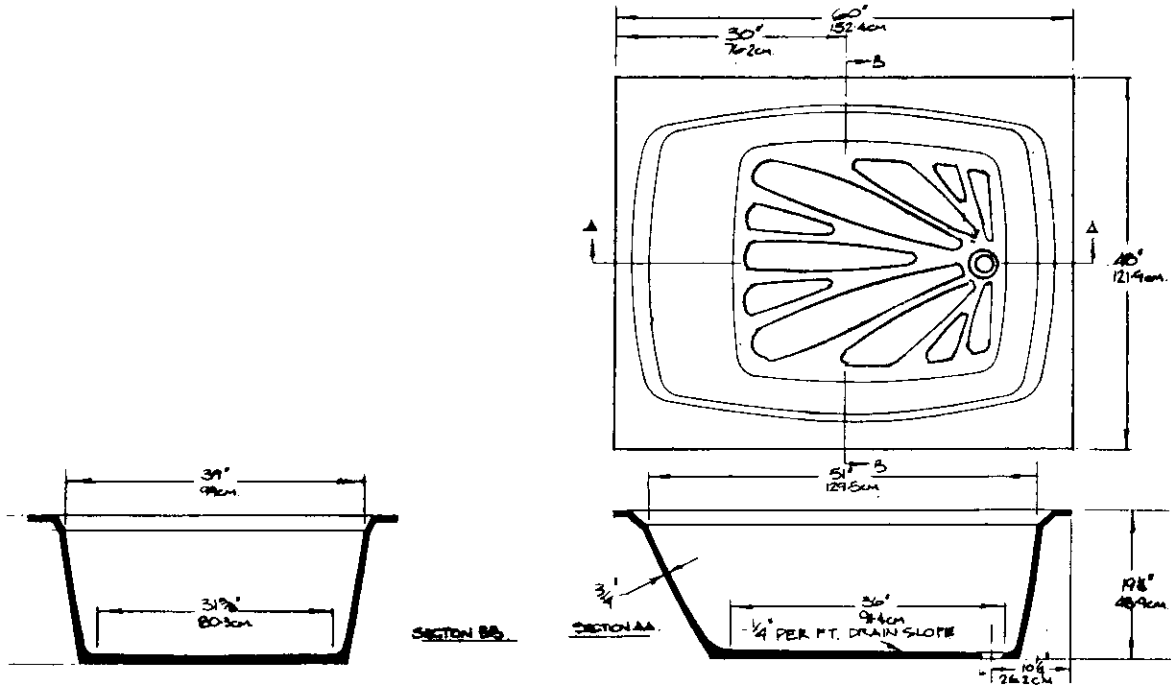
MALE	29025	MK 25 MALE		CAST WEIGHT
FEMALE	490258	F-MK 25 ONE PIECE		SCALE 1/2" = 1'0"
INSERT	490253	F-MK 25 INSERT		DATE 4-10-92
NAME	MK 25 BATHTUB 72" X 42" X 19 1/4"		©1992	REF. B-PD-503

25636 AVE. STANFORD, VALENCIA, CA 91355
 ISSUED BY GRUBER SYSTEMS INC.
 GRUBER SYSTEMS RESERVES THE RIGHT TO CHANGE THIS INFORMATION AT ANY TIME WITHOUT PRIOR NOTICE



29126	MK 26 SPEEDY PLUG	
490261	F-MK 26 DECK	
490262	F-MK 26 BOTTOM	
29226	MK 26 SKIRT W/STEP	
492261	F-MK 26 SKIRT DECK	
492262	F-MK 26 SKIRT BOTTOM	
CATALOG No.	DESCRIPTION	LIST PRICE

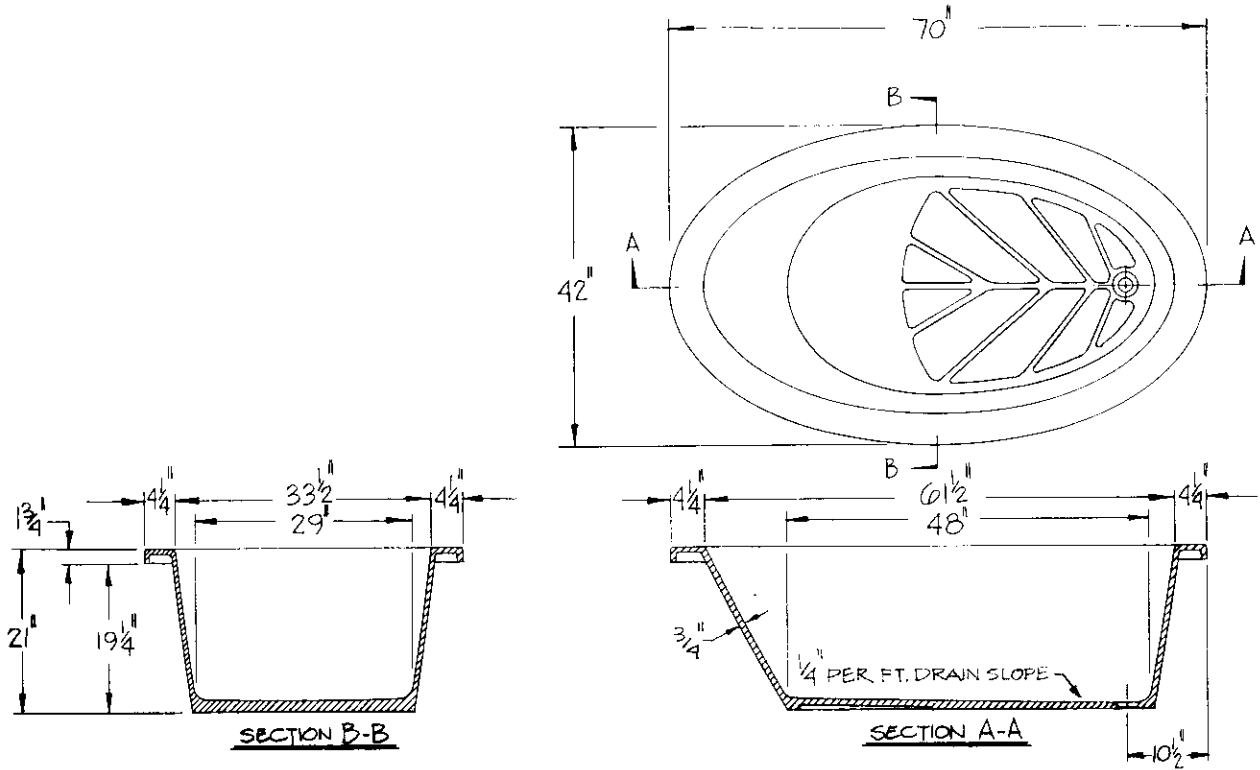
MALE	29026	MK 26 MALE		CAST WEIGHT SCALE 1/2" = 1'0" DATE 4-17-92
FEMALE	490268	F-MK 26 ONE PIECE		
INSERT	490263	F-MK 26 INSERT		
NAME	MK 26 CORNER BATHTUB 60" x 60" x 19 1/4"		©1992	REF. B-PD-1198



490271	F-MK27 DECK	
490272	F-MK27 BOTTOM	
CATALOG No.	DESCRIPTION	LIST PRICE

MALE	29027	MK 27 MALE		CAST WEIGHT SCALE 1/2" = 1'0" DATE 4-20-92
FEMALE	49027B	F-MK 27 ONE PIECE		
INSERT				
NAME	MK 27 BATHTUB 60" x 48" x 19 1/4"		©1992	REF. B-PD-540

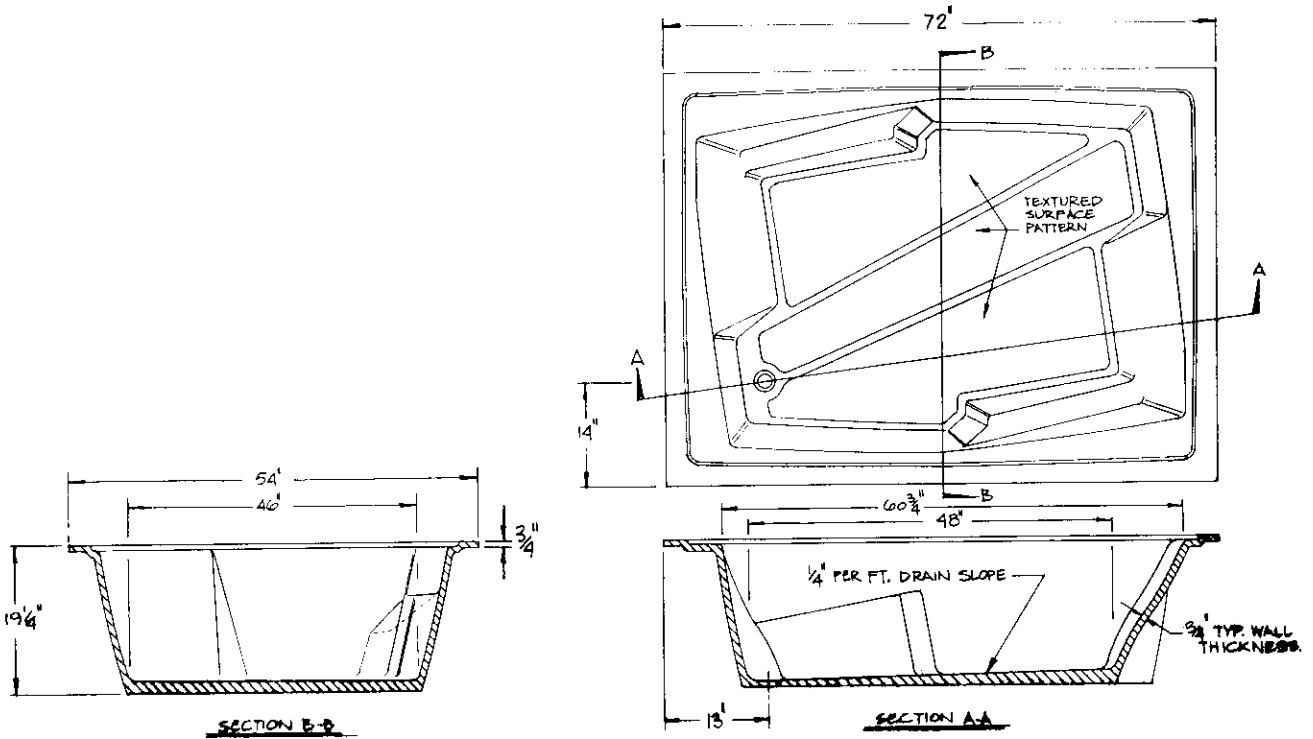
ISSUED BY GRUBER SYSTEMS INC. 25636 AVE. STANFORD, VALENCIA, CA 91355
GRUBER SYSTEMS RESERVES THE RIGHT TO CHANGE THIS INFORMATION AT ANY TIME WITHOUT PRIOR NOTICE



29129	SPEEDY PLUG	
CATALOG No.	DESCRIPTION	LIST PRICE

MALE	29029	MK 29 MALE		CAST WEIGHT	
FEMALE	490298	F - MK 29 ONE PIECE			SCALE 1/2" = 1'0"
INSERT	490293	F - MK 29 INSERT			DATE 4-16-92
NAME	MK 29 SELF RIMMING BATHTUB 70x42x21"		©1992	REF. B-PD-1041	

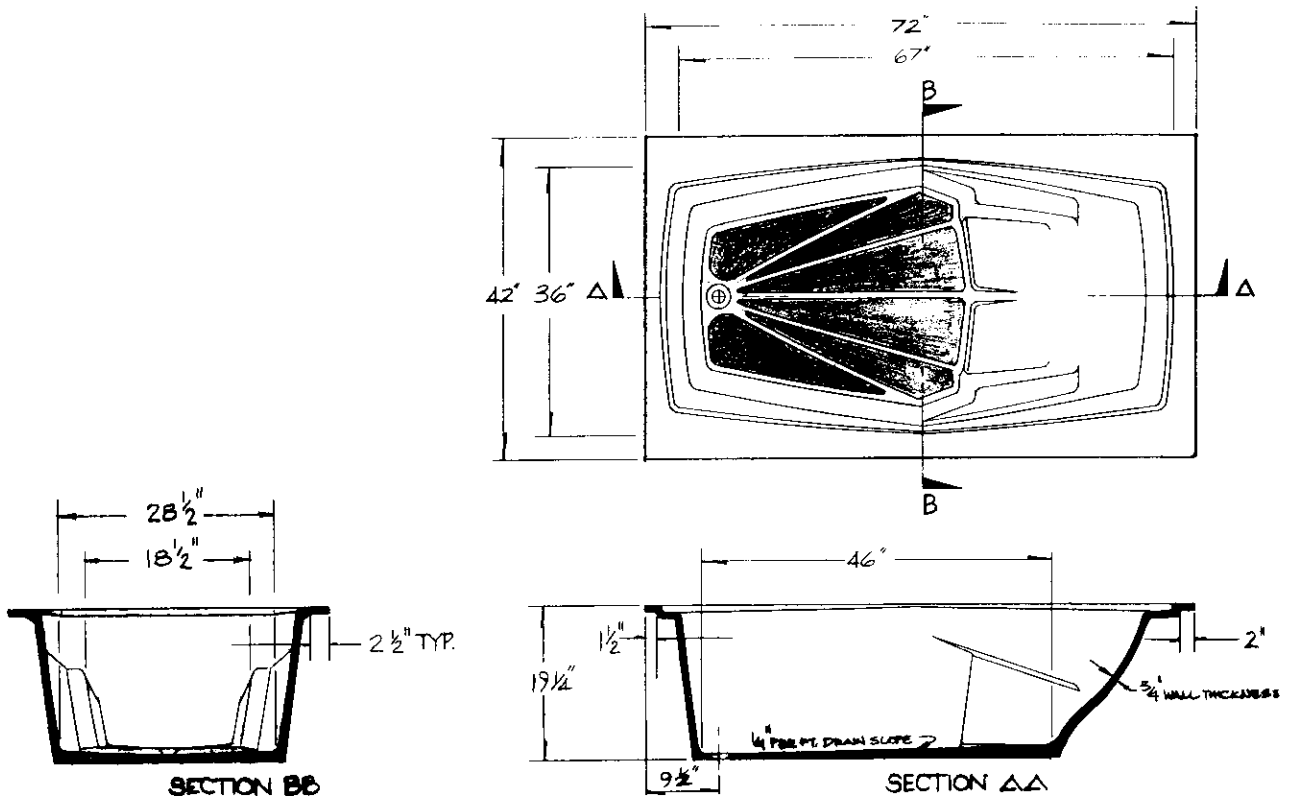
ISSUED BY GRUBER SYSTEMS INC. 25636 AVE. STANFORD, VALENCIA, CA 91355
GRUBER SYSTEMS RESERVES THE RIGHT TO CHANGE THIS INFORMATION AT ANY TIME WITHOUT PRIOR NOTICE



CATALOG No.	DESCRIPTION	LIST PRICE
490301	F-MK 30 DECK	
490302	F-MK 30 BOTTOM	

MALE	29030	MK 30 MALE		CAST WEIGHT
FEMALE	490308	F-MK30 ONE PIECE		SCALE 1/2" = 1'0"
INSERT	490303	F-MK30 INSERT		DATE 4-16-92
NAME	MK 30 DOUBLE BATHTUB 72" x 54" x 19 1/4"		©1992	REF. B-PD-1193

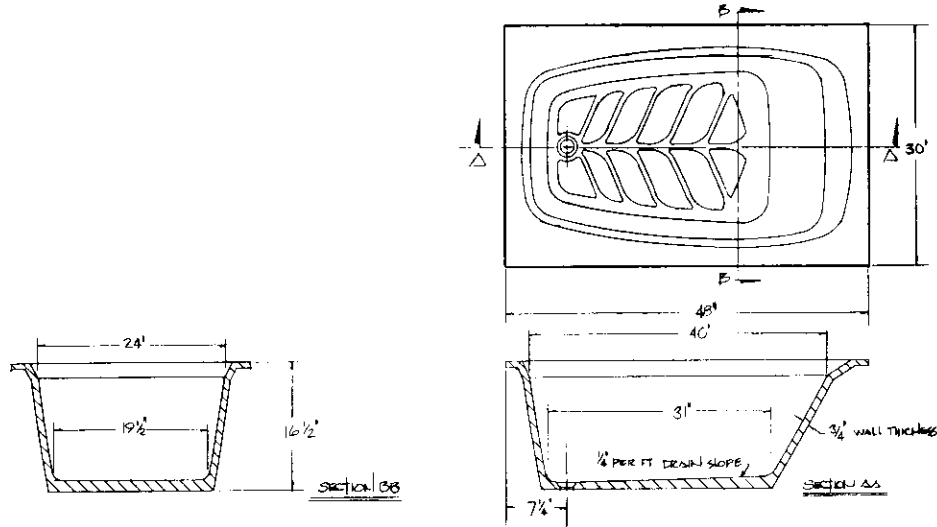
ISSUED BY GRUBER SYSTEMS INC. 25636 AVE. STANFORD, VALENCIA, CA 91355
GRUBER SYSTEMS RESERVES THE RIGHT TO CHANGE THIS INFORMATION AT ANY TIME WITHOUT PRIOR NOTICE



	29131	SPEEDY PLUG	
	490311	F-MK 31 DECK	
	490312	F-MK 31 BOTTOM	
	CATALOG No.	DESCRIPTION	LIST PRICE

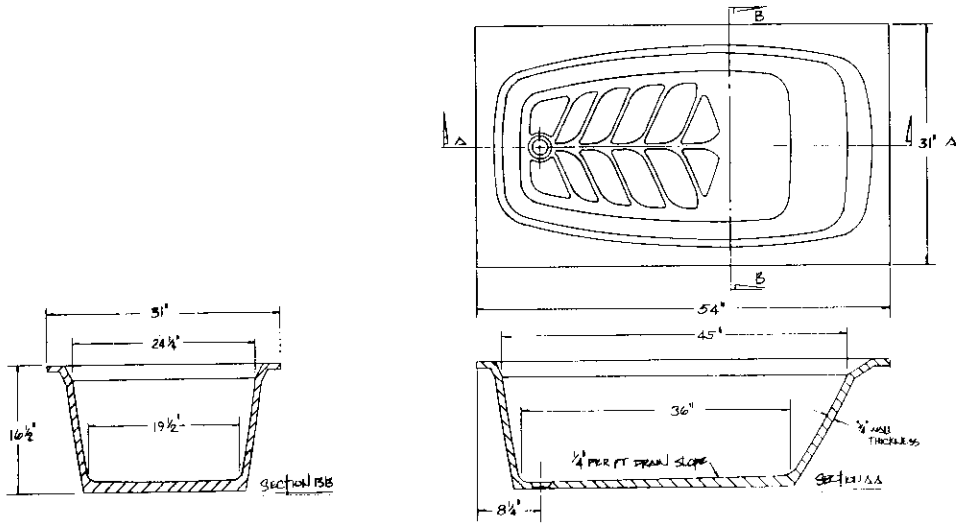
MALE	29031	MK 31 MALE		CAST WEIGHT	
FEMALE	490318	F-MK 31 ONE PIECE			SCALE 1/2" = 1'0"
INSERT	490313	F-MK 31 INSERT			DATE 4-10-92
NAME	MK 31 BATHTUB 72" x 42" x 19 1/4"		©1992	REF. B-PD-611	

ISSUED BY GRUBER SYSTEMS INC. 25636 AVE. STANFORD, VALENCIA, CA 91355
GRUBER SYSTEMS RESERVES THE RIGHT TO CHANGE THIS INFORMATION AT ANY TIME WITHOUT PRIOR NOTICE



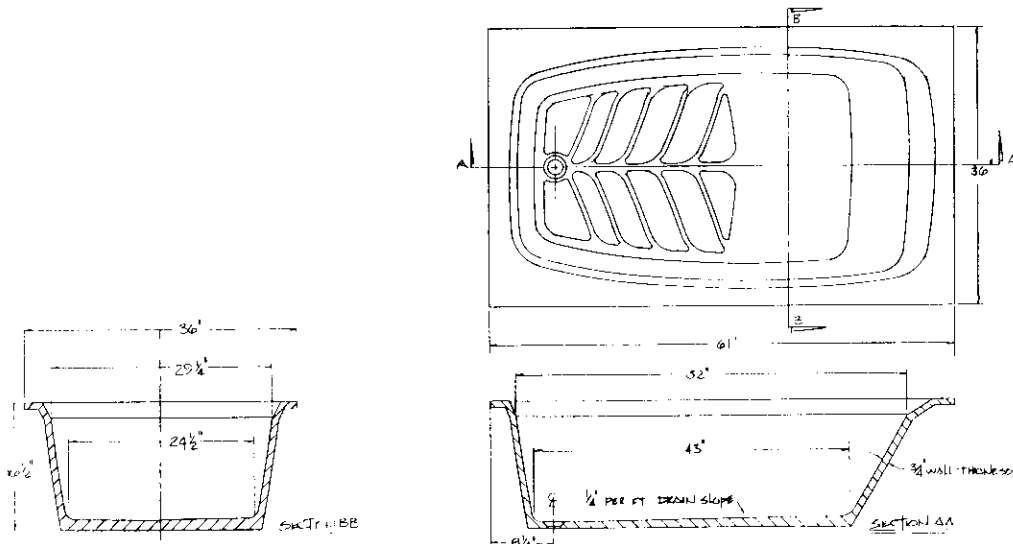
CATALOG No.	DESCRIPTION	LIST PRICE
-------------	-------------	------------

MALE	29032	MK 32 MALE		CAST WEIGHT SCALE 1/2" = 1' 0" DATE 4-20-92
FEMALE	490328	F - MK 32 ONE PIECE		
INSERT				
NAME	MK 32 BATHTUB 48" x 30" x 10 1/2"		©1992	REF. B-PD-1039



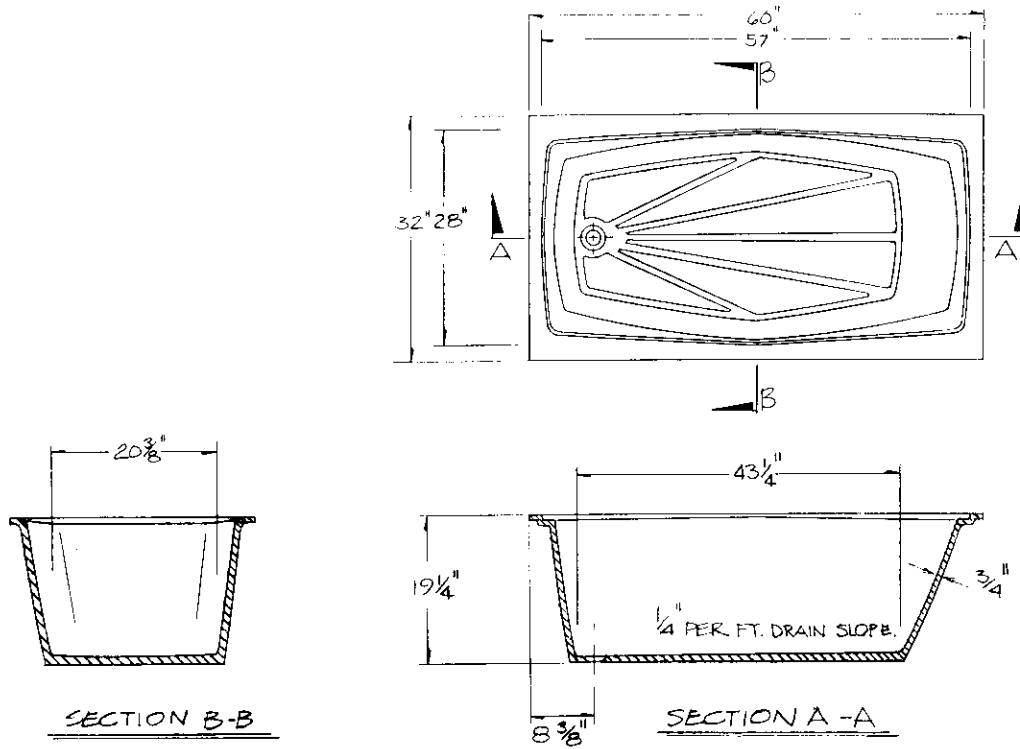
	CATALOG No.	DESCRIPTION	LIST PRICE	
MALE	29033	MK 33 MALE		CAST WEIGHT SCALE 1/2" = 1'0" DATE 4-21-92
FEMALE	490338	F-MK 33 ONE PIECE		
INSERT				
NAME	MK 33 BATHTUB 54" x 31" x 16 1/2"		©1992	REF. B-PD-1038

ISSUED BY GRUBER SYSTEMS INC. 25636 AVE. STANFORD, VALENCIA, CA 91355
GRUBER SYSTEMS RESERVES THE RIGHT TO CHANGE THIS INFORMATION AT ANY TIME WITHOUT PRIOR NOTICE



	CATALOG No.	DESCRIPTION	LIST PRICE	
MALE	29034	MK 34 MALE		CAST WEIGHT SCALE 1/2" = 1'0" DATE 4-21-92
FEMALE	490348	F-MK 34 ONE PIECE		
INSERT				
NAME	MK 34 BATHTUB 61" x 36" x 10 1/2"		©1992	REF. B-PD-1037

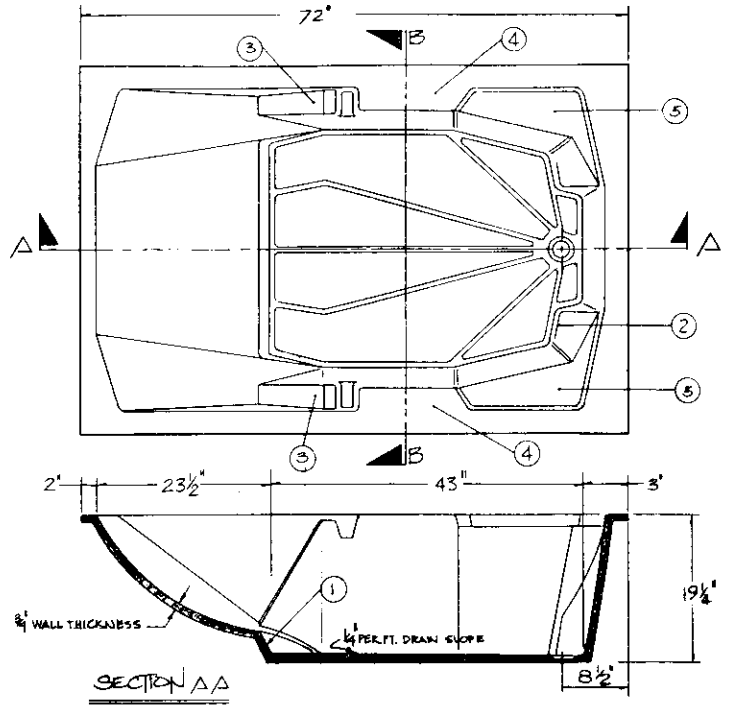
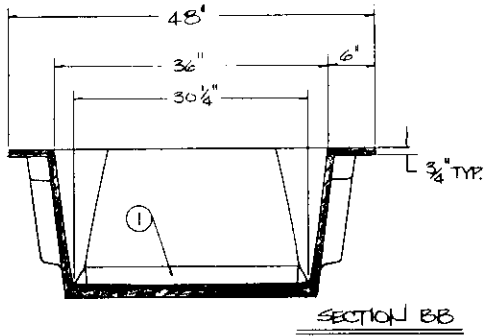
ISSUED BY GRUBER SYSTEMS INC. 25636 AVE. STANFORD, VALENCIA, CA 91355
GRUBER SYSTEMS RESERVES THE RIGHT TO CHANGE THIS INFORMATION AT ANY TIME WITHOUT PRIOR NOTICE



	CATALOG No.	DESCRIPTION	LIST PRICE	
MALE	29035	MK 35 MALE		CAST WEIGHT SCALE 1/2" = 1'0" DATE 4-10-92
FEMALE	49035B	F-MK 35 ONE PIECE		
INSERT				
NAME	MK 35 BATHTUB 60" x 32" x 19 1/4"		©1992	REF. B-PD-845

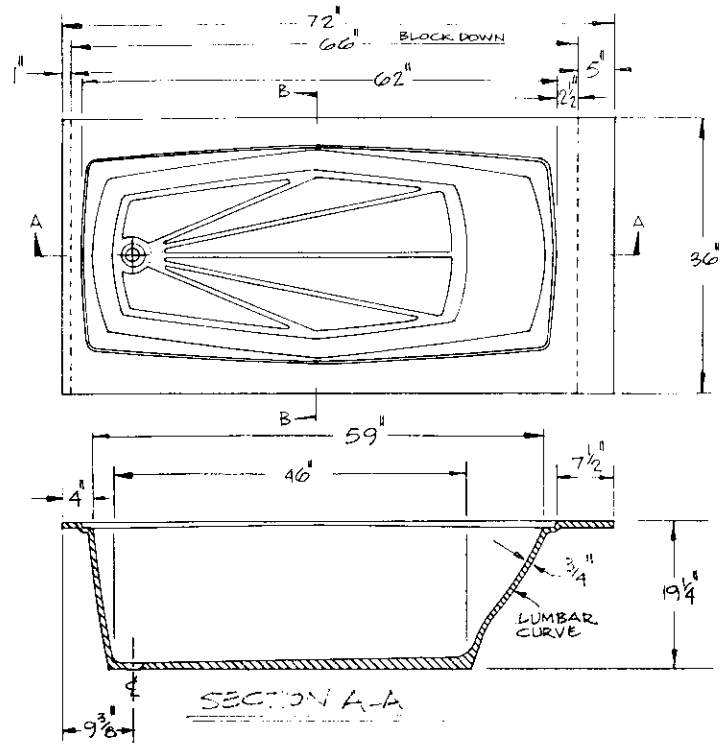
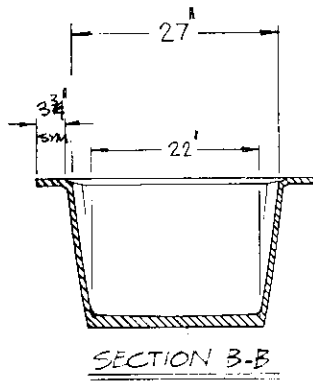
ISSUED BY GRUBER SYSTEMS INC. 25636 AVE. STANFORD, VALENCIA, CA 91355
GRUBER SYSTEMS RESERVES THE RIGHT TO CHANGE THIS INFORMATION AT ANY TIME WITHOUT PRIOR NOTICE

- ① LUMBAR JET LOCATIONS.
- ② ALTERNATE FOOTRESTS.
- ③ ARMREST AND HANDHOLD.
- ④ SEAT FOR ENTRY ASSISTANCE.
- ⑤ FAUCET LANDINGS.



29130	SPEEDY PLUG	
490361	F-MK 30 DECK	
490362	F-MK 30 BOTTOM	
CATALOG No.	DESCRIPTION	LIST PRICE

MALE	29030	MK 30 MALE		CAST WEIGHT SCALE 1/2" = 1' 0" DATE 4-20-92 REF. B-PD-946
FEMALE	490368	F-MK 30 ONE PIECE		
INSERT	490363	F-MK 30 INSERT		
NAME	MK 30 BATHTUB 72" x 48" x 19 1/4"		©1992	

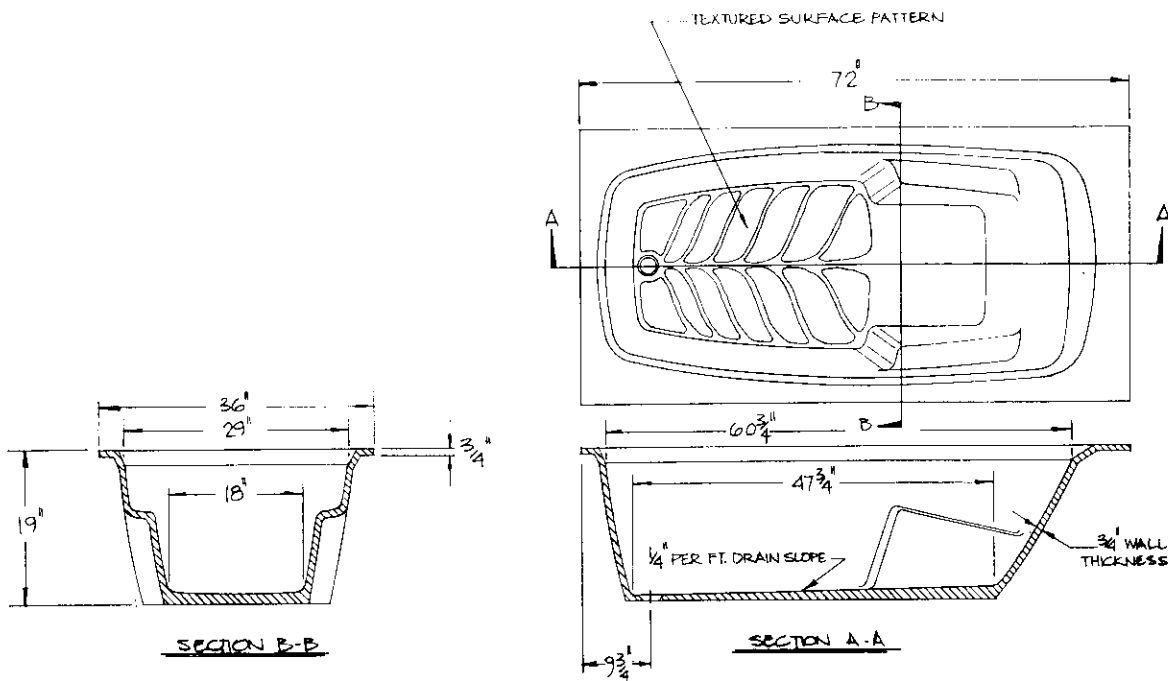


	CATALOG No.	DESCRIPTION	LIST PRICE		CAST WEIGHT
MALE	29037	MK 37 MALE			
FEMALE	490378	F-MK 37 ONE PIECE			SCALE 1/2" = 1'0"
INSERT					DATE 4-16-92
NAME	MK 37 BATH TUB 72" x 36" x 19 1/4" (66 x 36)			©1992	REF. B-PD-964

25636 AVE. STANFORD, VALENCIA, CA 91355

ISSUED BY GRUBER SYSTEMS INC.

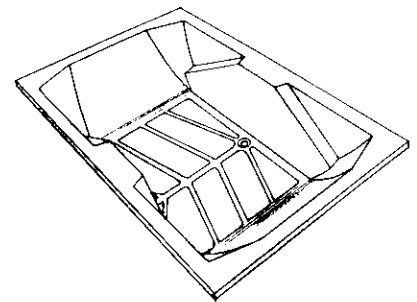
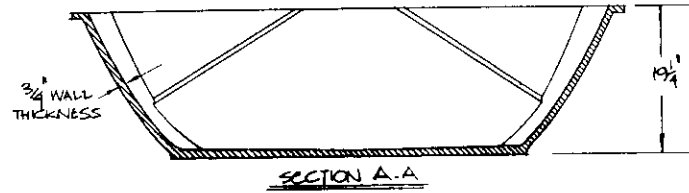
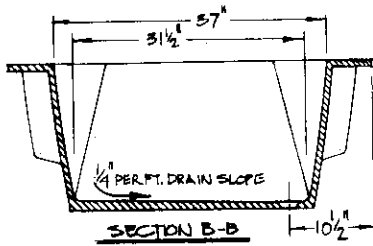
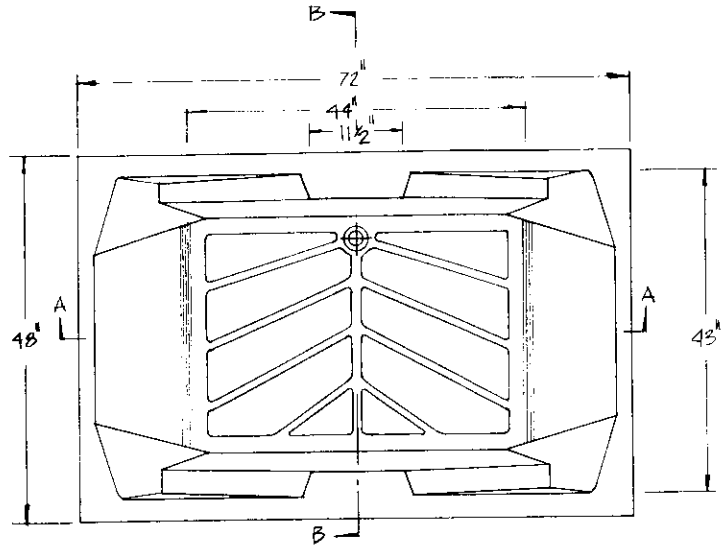
GRUBER SYSTEMS RESERVES THE RIGHT TO CHANGE THIS INFORMATION AT ANY TIME WITHOUT PRIOR NOTICE



490381	F-MK38 DECK	
490382	F-MK38 BOTTOM	
CATALOG No.	DESCRIPTION	LIST PRICE

MALE	29038	MK 38 MALE		CAST WEIGHT	
FEMALE	490388	F-MK38 ONE PIECE			SCALE 1/2" = 1'0"
INSERT					DATE 4-17-92
NAME	MK 38 BATHTUB 72" x 36" x 19"		©1992	REF. B-PD-1196	

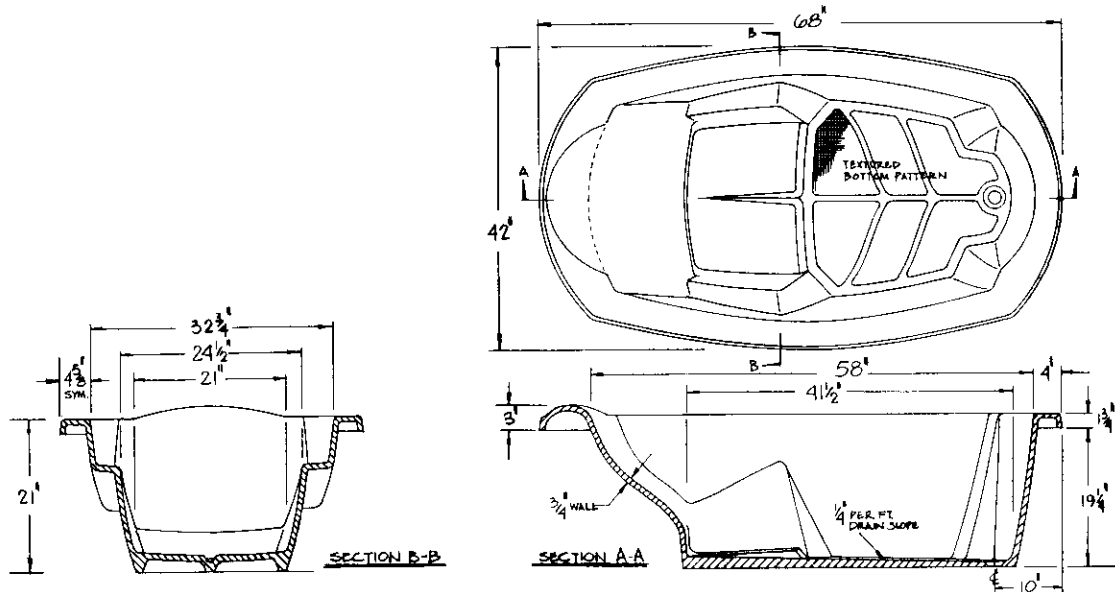
25636 AVE. STANFORD, VALENCIA, CA 91355
 ISSUED BY GRUBER SYSTEMS INC.
 GRUBER SYSTEMS RESERVES THE RIGHT TO CHANGE THIS INFORMATION AT ANY TIME WITHOUT PRIOR NOTICE



490391	F-MK 39 DECK	
490392	F-MK 39 BOTTOM	
CATALOG No.	DESCRIPTION	LIST PRICE

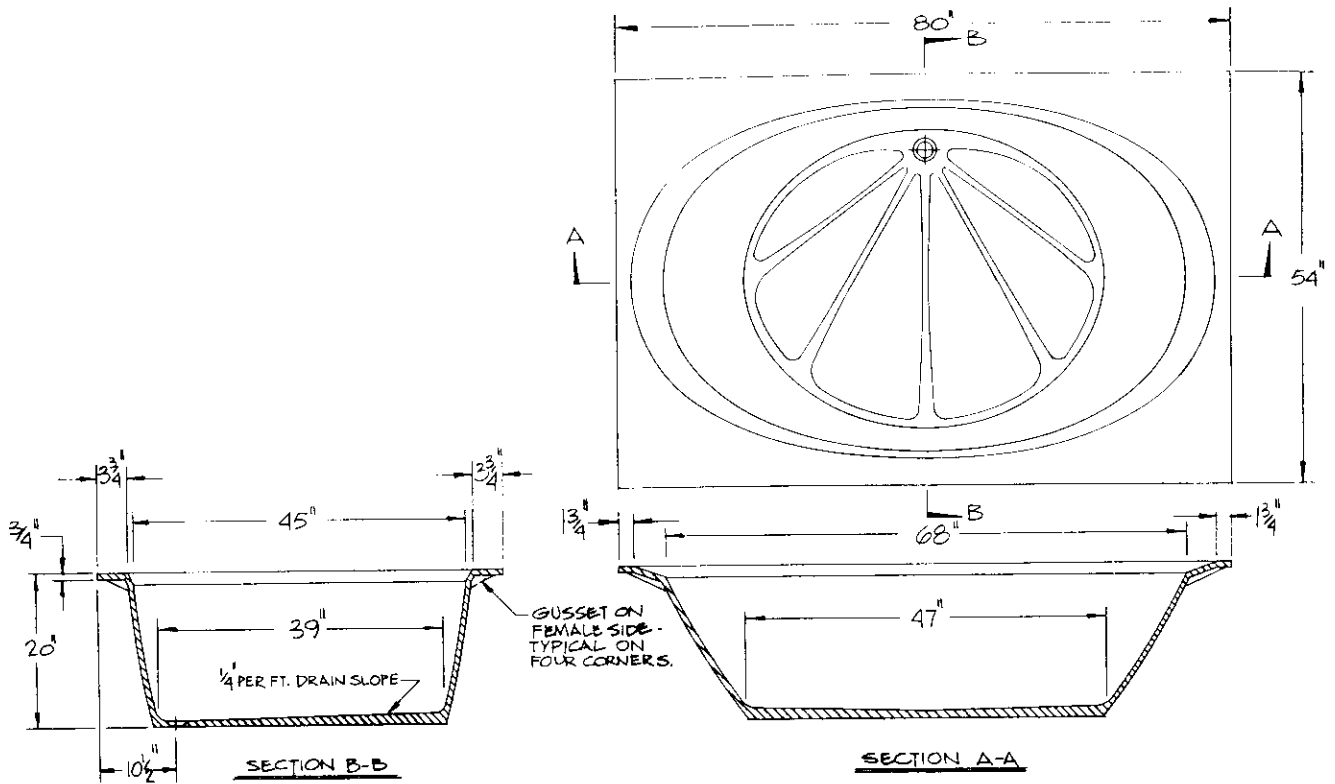
MALE	29039	MK 39 MALE			CAST WEIGHT
FEMALE	49039B	F-MK 39 ONE PIECE			SCALE 1/2" = 1'0"
INSERT					DATE 4-16-92
NAME	MK 39 DOUBLE BATHTUB 72" x 48" x 19 1/4"			©1992	REF. B-PD-962

ISSUED BY GRUBER SYSTEMS INC. 25636 AVE. STANFORD, VALENCIA, CA 91355
GRUBER SYSTEMS RESERVES THE RIGHT TO CHANGE THIS INFORMATION AT ANY TIME WITHOUT PRIOR NOTICE



	CATALOG No.	DESCRIPTION	LIST PRICE	
	29140	SPEEDY PLUG		
MALE	29040	MK40 MALE		CAST WEIGHT SCALE 1/2" = 1'0" DATE 4-21-92 REF. B-PD-1090
FEMALE	490408	F-MK40 ONE PIECE		
INSERT	490403	F-MK40 INSERT		
NAME	MK40 SELF RIMMING BATHTUB 68" x 42" x 21"		©1992	

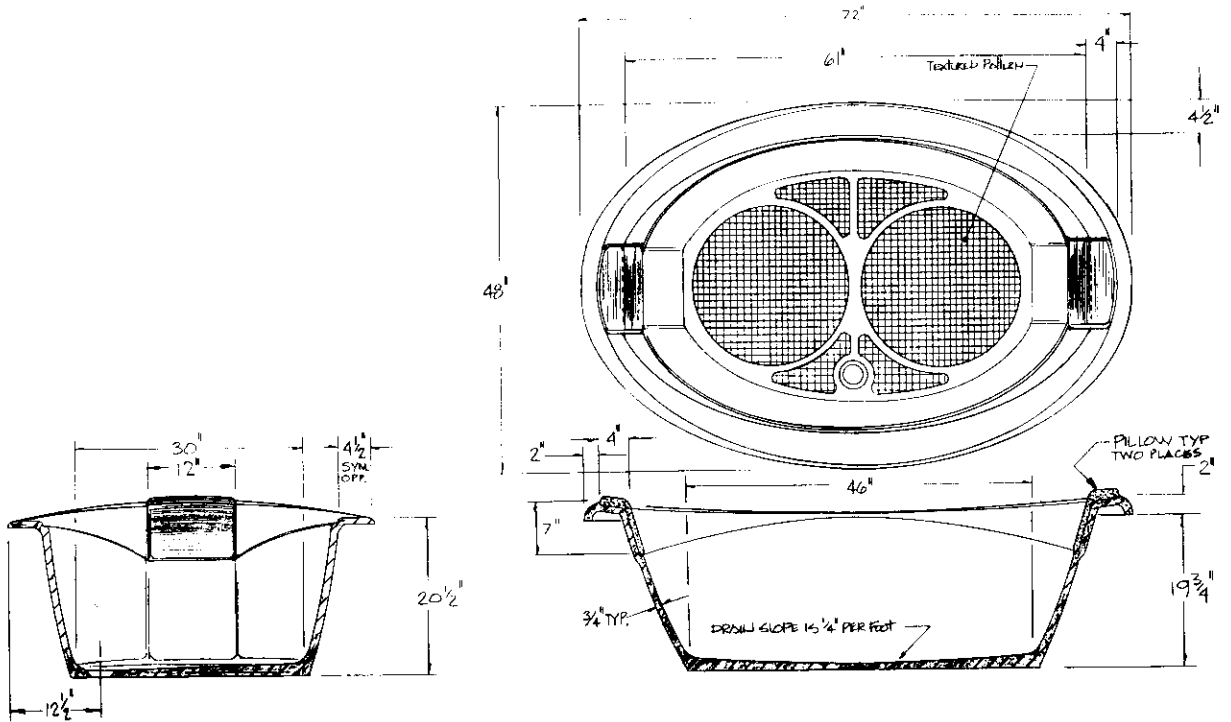
25636 AVE. STANFORD, VALENCIA, CA 91355
ISSUED BY GRUBER SYSTEMS INC.
GRUBER SYSTEMS RESERVES THE RIGHT TO CHANGE THIS INFORMATION AT ANY TIME WITHOUT PRIOR NOTICE



29141	SPEEDY PLUG	
490411	F-MK41 DECK	
490412	F-MK41 BOTTOM	
CATALOG No.	DESCRIPTION	LIST PRICE

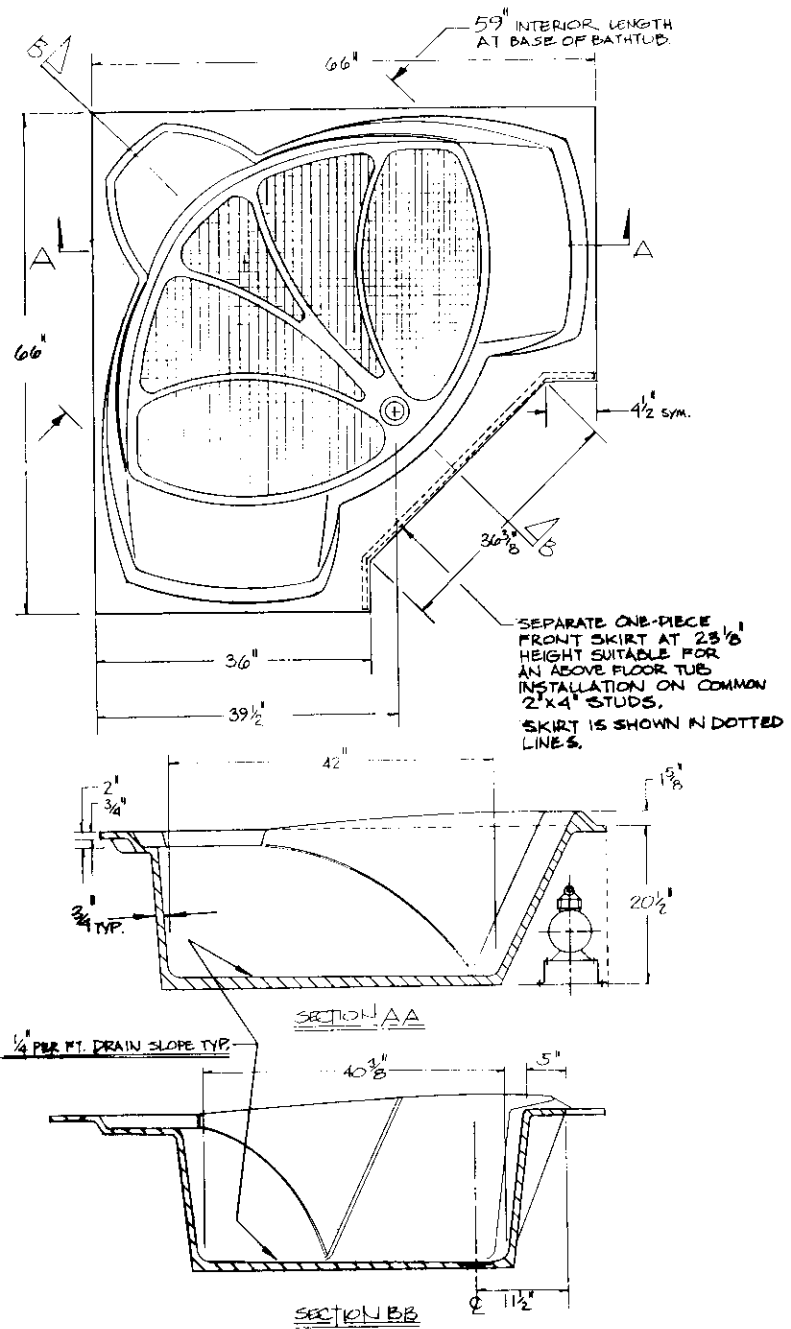
MALE	29041	MK 41 MALE		CAST WEIGHT SCALE 1/2" = 1'0" DATE 4-17-92 REF. B-PD 1229
FEMALE	490418	F-MK41 ONE PIECE		
INSERT	490413	F-MK41 INSERT		
NAME	MK 41 BATHTUB 80" x 54" x 20"		©1992	

ISSUED BY GRUBER SYSTEMS INC. 25636 AVE. STANFORD, VALENCIA, CA 91355
GRUBER SYSTEMS RESERVES THE RIGHT TO CHANGE THIS INFORMATION AT ANY TIME WITHOUT PRIOR NOTICE



	00133	PILLOW - BLACK	
	00135	PILLOW - BONE	
	29142	SPEEDY PLUG	
	490421	F-MK42 DECK	
	490422	F-MK42 BOTTOM	
	CATALOG No.	DESCRIPTION	LIST PRICE
MALE	29042	MK 42 MALE	
FEMALE	490428	F-MK42 ONE PIECE	
INSERT	490422	F-MK42 INSERT	
NAME	MK 42 SELF-RIMMING BATHTUB 72"X48"X 21 3/4"		©1992
			COST WEIGHT
			SCALE 1/2" = 1'0"
			DATE 4-14-92
			REF. B-PD-1110

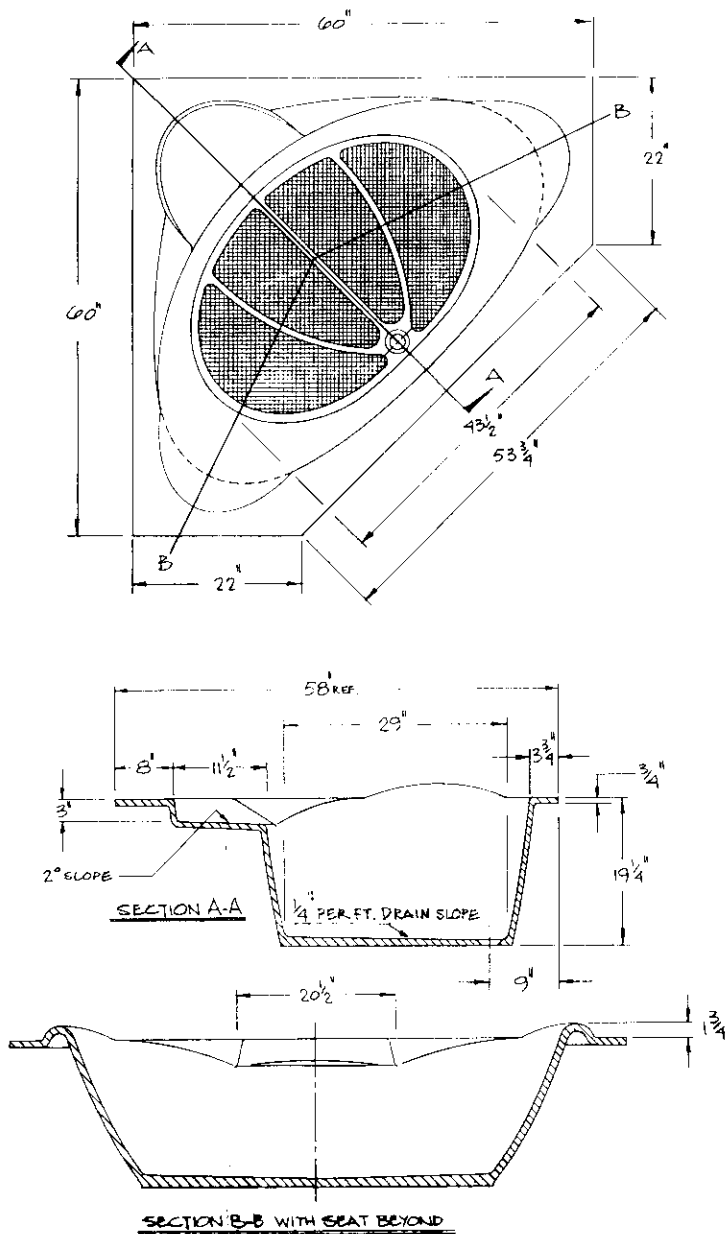
25636 AVE. STANFORD, VALENCIA, CA 91355
ISSUED BY GRUBER SYSTEMS INC.
GRUBER SYSTEMS RESERVES THE RIGHT TO CHANGE THIS INFORMATION AT ANY TIME WITHOUT PRIOR NOTICE



490431	F-MK43 DECK	
490432	F-MK43 BOTTOM	
29031	MK 43 SKIRT	
010935	MK 43 SKIRT DIVIDER	
CATALOG No.	DESCRIPTION	LIST PRICE

MALE	29043	MK 43 MALE		CAST WEIGHT SCALE 1/2" = 1'0" DATE 4-17-92
FEMALE	49043B	F-MK 43 ONE PIECE		
INSERT	490433	F-MK 43 INSERT		
NAME	MK 43 CORNER BATHTUB 60" x 66" x 20 1/2"		©1992	

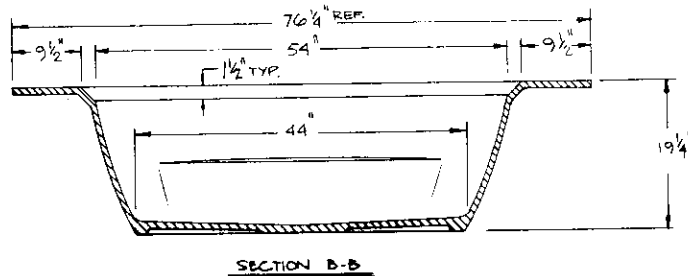
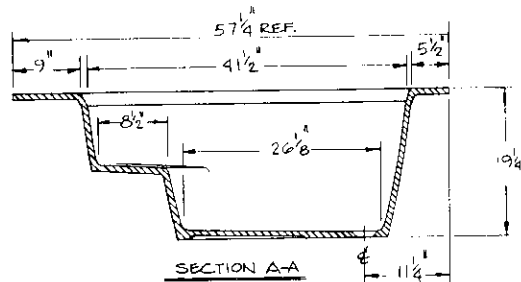
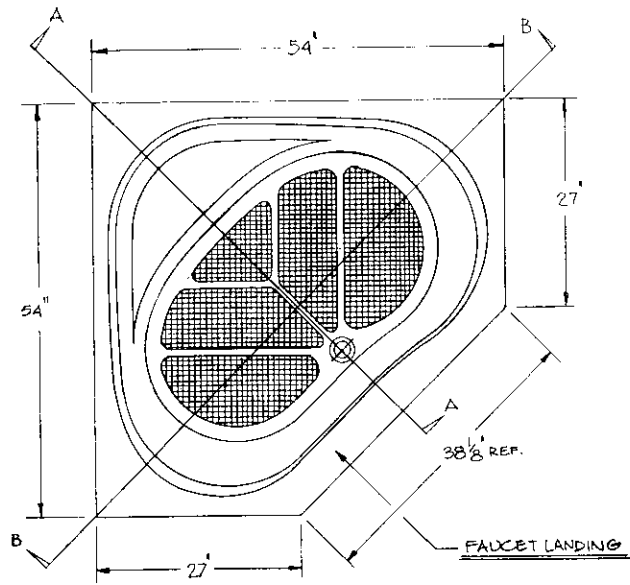
25636 AVE. STANFORD, VALENCIA, CA 91355
 ISSUED BY GRUBER SYSTEMS INC.
 GRUBER SYSTEMS RESERVES THE RIGHT TO CHANGE THIS INFORMATION AT ANY TIME WITHOUT PRIOR NOTICE



490441	F-MK 44 DECK	
490442	F-MK 44 BOTTOM	
CATALOG No.	DESCRIPTION	LIST PRICE

MALE	29044	MK 44 MALE		CAST WEIGHT SCALE 1/2" = 1'0" DATE 4-17-92
FEMALE	490448	F-MK 44 ONE PIECE		
INSERT	490443	F-MK 44 INSERT		
NAME	MK 44 CORNER BATHTUB 60" x 60" x 19 1/4"		©1992	REF. B-PD-1253

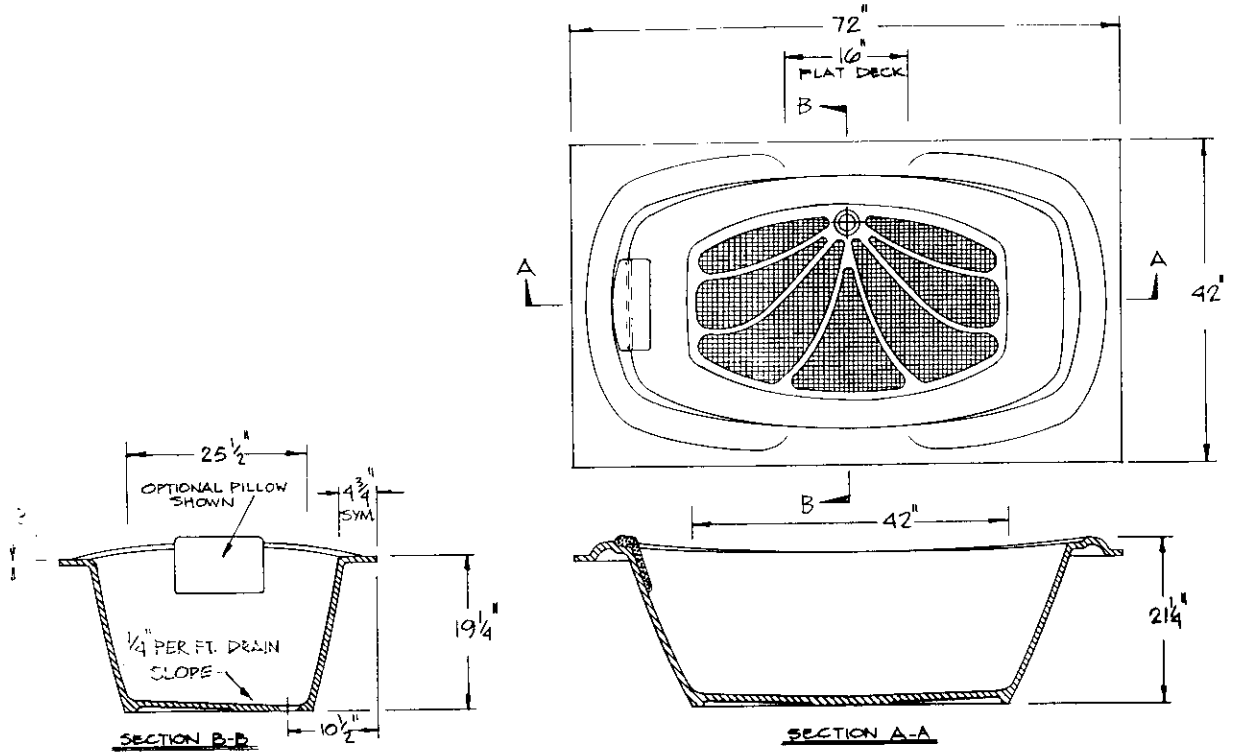
25636 AVE. STANFORD, VALENCIA, CA 91355
 ISSUED BY GRUBER SYSTEMS INC.
 GRUBER SYSTEMS RESERVES THE RIGHT TO CHANGE THIS INFORMATION AT ANY TIME WITHOUT PRIOR NOTICE



490451	F - MK45 DECK	
490452	F - MK45 BOTTOM	
CATALOG No.	DESCRIPTION	LIST PRICE

MALE	29045	MK 45 MALE		CAST WEIGHT	
FEMALE	490458	F - MK45 ONE PIECE			SCALE 1/2" = 1'0"
INSERT	490453	F - MK45 INSERT			DATE 4-17-92
NAME	MK 45 CORNER BATHTUB 54" x 54" x 19 1/4"		©1992	REF. B-PD-1399	

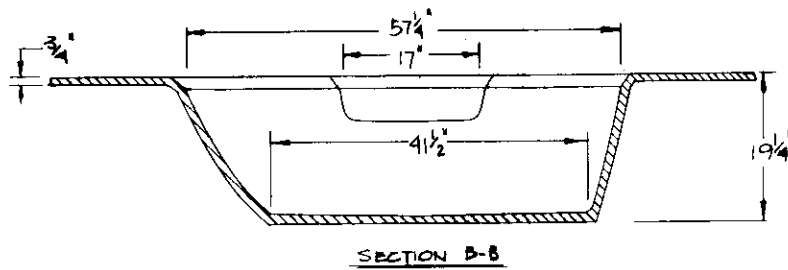
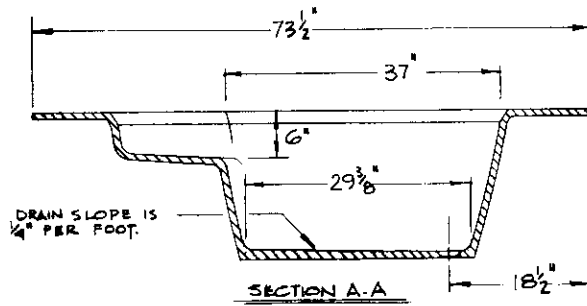
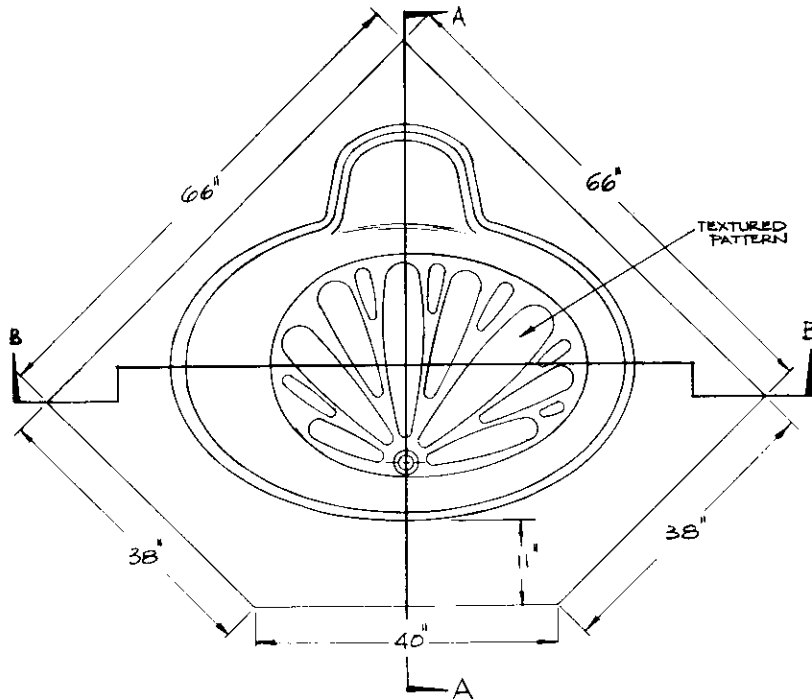
ISSUED BY GRUBER SYSTEMS INC. 25636 AVE. STANFORD, VALENCIA, CA 91355
GRUBER SYSTEMS RESERVES THE RIGHT TO CHANGE THIS INFORMATION AT ANY TIME WITHOUT PRIOR NOTICE



490401	F-MK 40 DECK	
490402	F-MK 40 BOTTOM	
00133	PILLOW - BLACK	
00135	PILLOW - BONE	
CATALOG No.	DESCRIPTION	LIST PRICE

MALE	29046	MK 40 MALE		CAST WEIGHT	
FEMALE	49046B	F-MK 40 ONE PIECE			SCALE 1/2" = 1'0"
INSERT	490463	F-MK 40 INSERT			DATE 4-17-92
NAME	MK 40 BATHTUB 72" x 42" x 19 1/4"		©1992	REF. B-PD-1400	

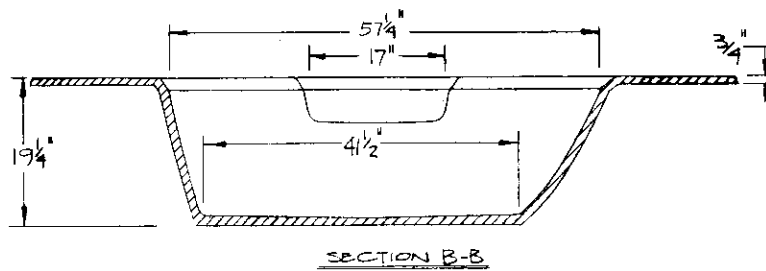
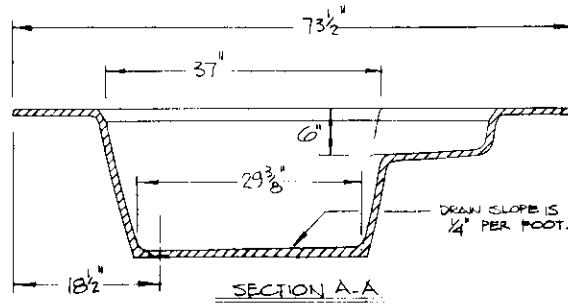
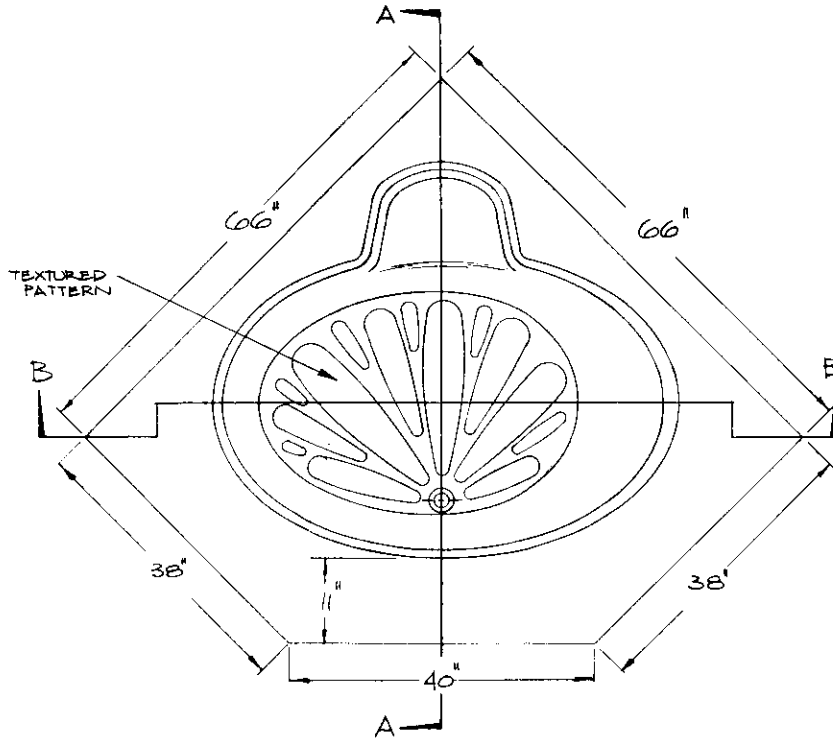
ISSUED BY GRUBER SYSTEMS INC. 25636 AVE. STANFORD, VALENCIA, CA 91355
GRUBER SYSTEMS RESERVES THE RIGHT TO CHANGE THIS INFORMATION AT ANY TIME WITHOUT PRIOR NOTICE



	CATALOG No.	DESCRIPTION	LIST PRICE	
MALE	29047	MK47 66" NEOTUB (MK26)		CAST WEIGHT SCALE 1/2" = 1'0" DATE 5-11-92
FEMALE	49047B	F-MK47 NEOTUB		
INSERT	490473	F-MK47 INSERT (MK26)		
NAME	MK47 CORNER NEO BATHTUB 66"x66"x19 1/4"			©1992 REF. B-PD-1510

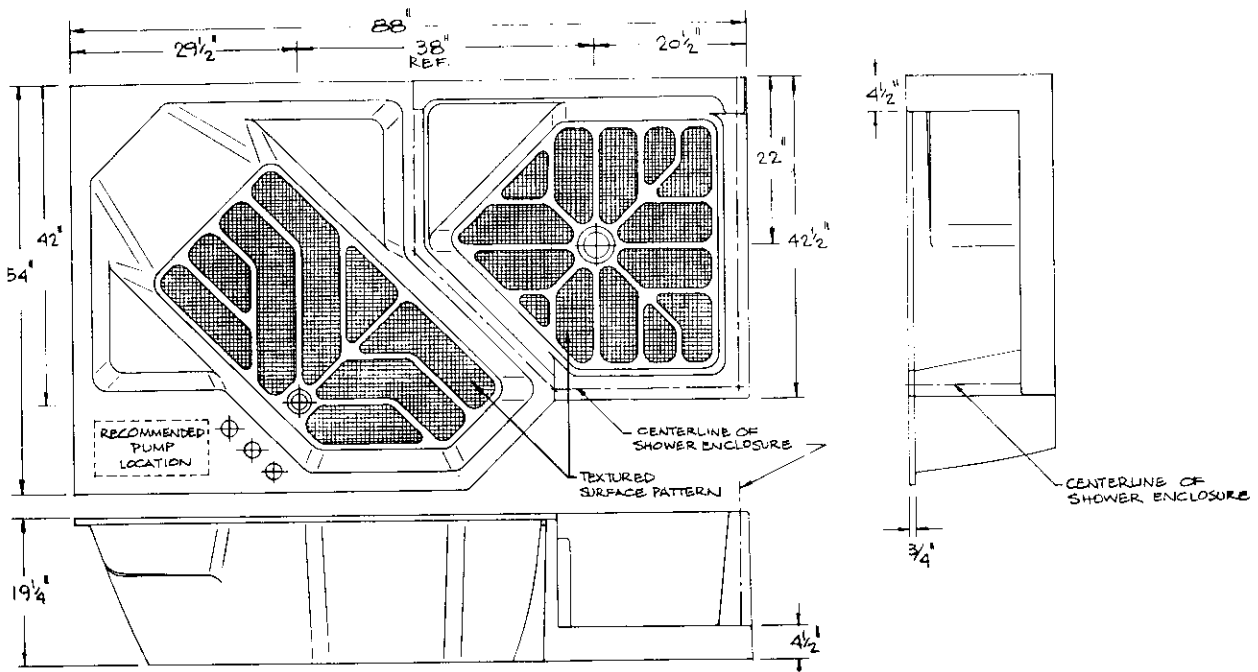
25636 AVE. STANFORD, VALENCIA, CA 91355

ISSUED BY GRUBER SYSTEMS INC.
GRUBER SYSTEMS RESERVES THE RIGHT TO CHANGE THIS INFORMATION AT ANY TIME WITHOUT PRIOR NOTICE

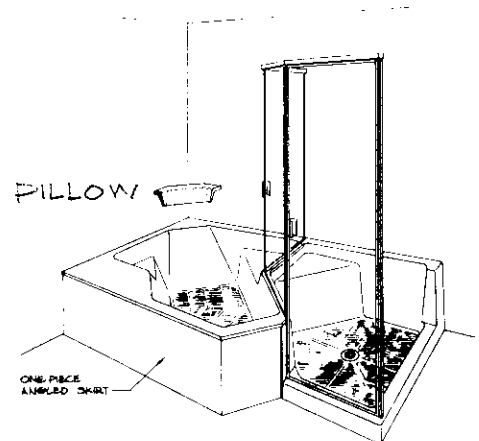


	CATALOG No.	DESCRIPTION	LIST PRICE	
MALE	29048	MK48 66" NEO TUB (REV. MK 26)		CAST WEIGHT
FEMALE	490488	F-MK48 NEO TUB		SCALE 1/2" = 1'0"
INSERT	490483	F-MK48 INSERT (REV. MK 26)		DATE 5-11-92
NAME	MK 48 CORNER NEO BATHTUB 66"x66"x19 1/4" (REV. MK 26)		©1992	REF. B-PD-1511

25636 AVE. STANFORD, VALENCIA, CA 91355
 ISSUED BY GRUBER SYSTEMS INC.
 GRUBER SYSTEMS RESERVES THE RIGHT TO CHANGE THIS INFORMATION AT ANY TIME WITHOUT PRIOR NOTICE

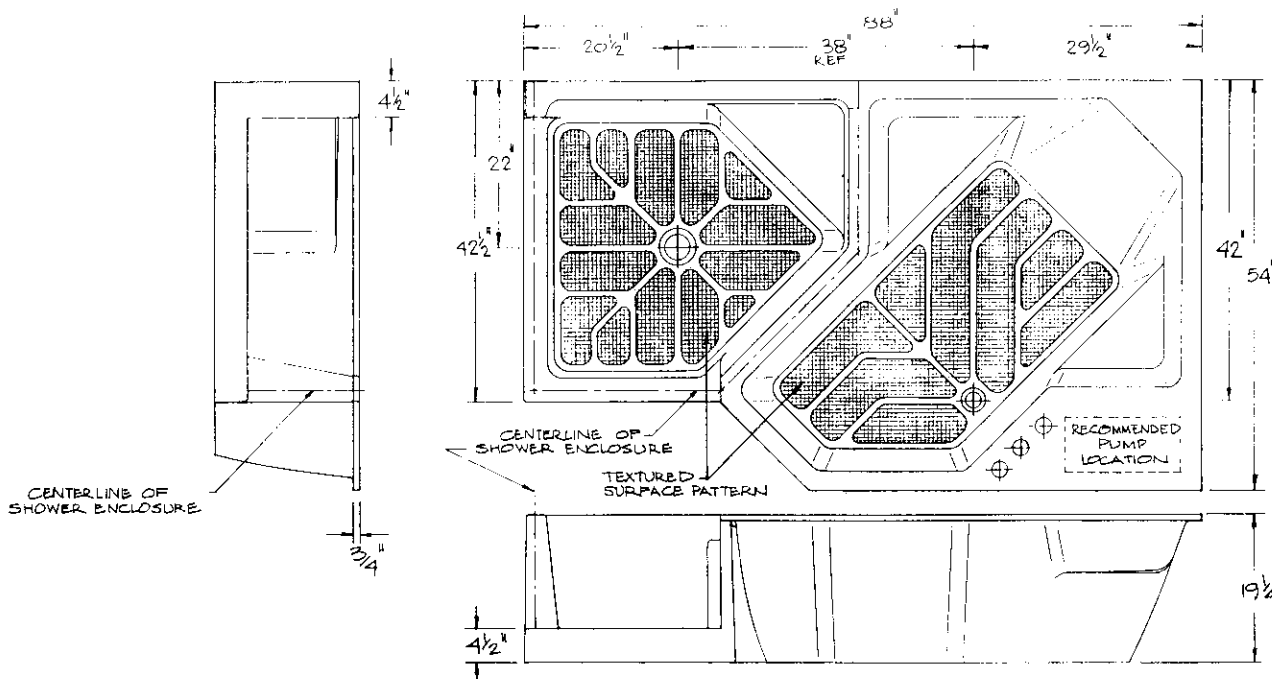


490801TL	F-TUB DECK	
490802TL	F-TUB BOTTOM	
29080SL	SHOWER MALE	
490808SL	F-SHOWER	
490833SL	F-SHOWER INSERT	
29227SK	TUB SKIRT MALE	
492263SK	F-TUB SKIRT	
001411	PILLOW-BONE	
001412	PILLOW WHITE	
CATALOG No.	DESCRIPTION	LIST PRICE

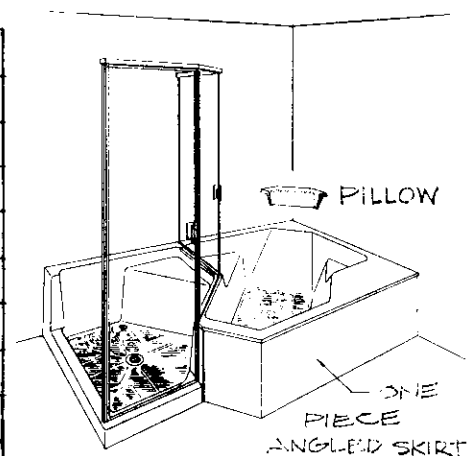


MALE	29080TL	TUB LEFT MALE		CAST WEIGHT SCALE 1/2" = 1'0" DATE 4-17-92
FEMALE	490808TL	TUB-F ONE PIECE		
INSERT	490803TL	TUB INSERT		
NAME	CRYSTAL COMBINATION - TUB LEFT		©1992	

25636 AVE. STANFORD, VALENCIA, CA 91355
 ISSUED BY GRUBER SYSTEMS INC.
 GRUBER SYSTEMS RESERVES THE RIGHT TO CHANGE THIS INFORMATION AT ANY TIME WITHOUT PRIOR NOTICE

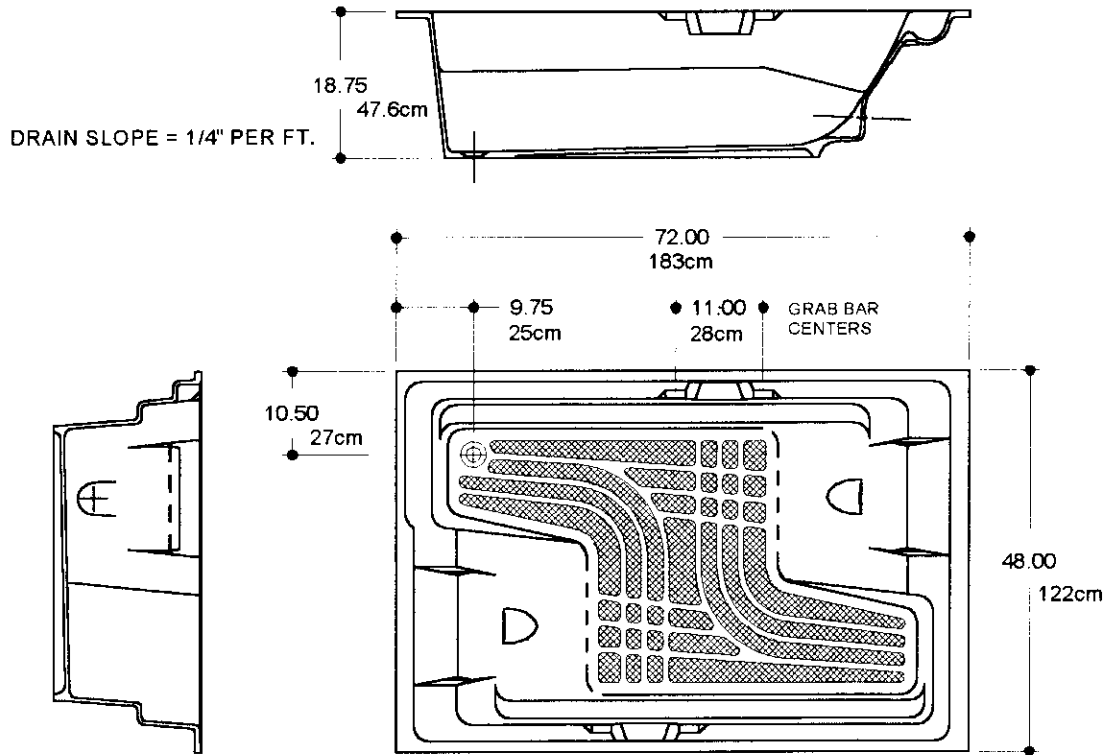


490801TR	F - TUB DECK	
490802TR	F - TUB BOTTOM	
29080SR	SHOWER MALE	
490808SR	F - SHOWER	
490833SR	F - SHOWER INSERT	
29227SK	TUB SKIRT MALE	
492263SK	F - TUB SKIRT	
001411	PILLOW - BONE	
001412	PILLOW - WHITE	
CATALOG No.	DESCRIPTION	LIST PRICE

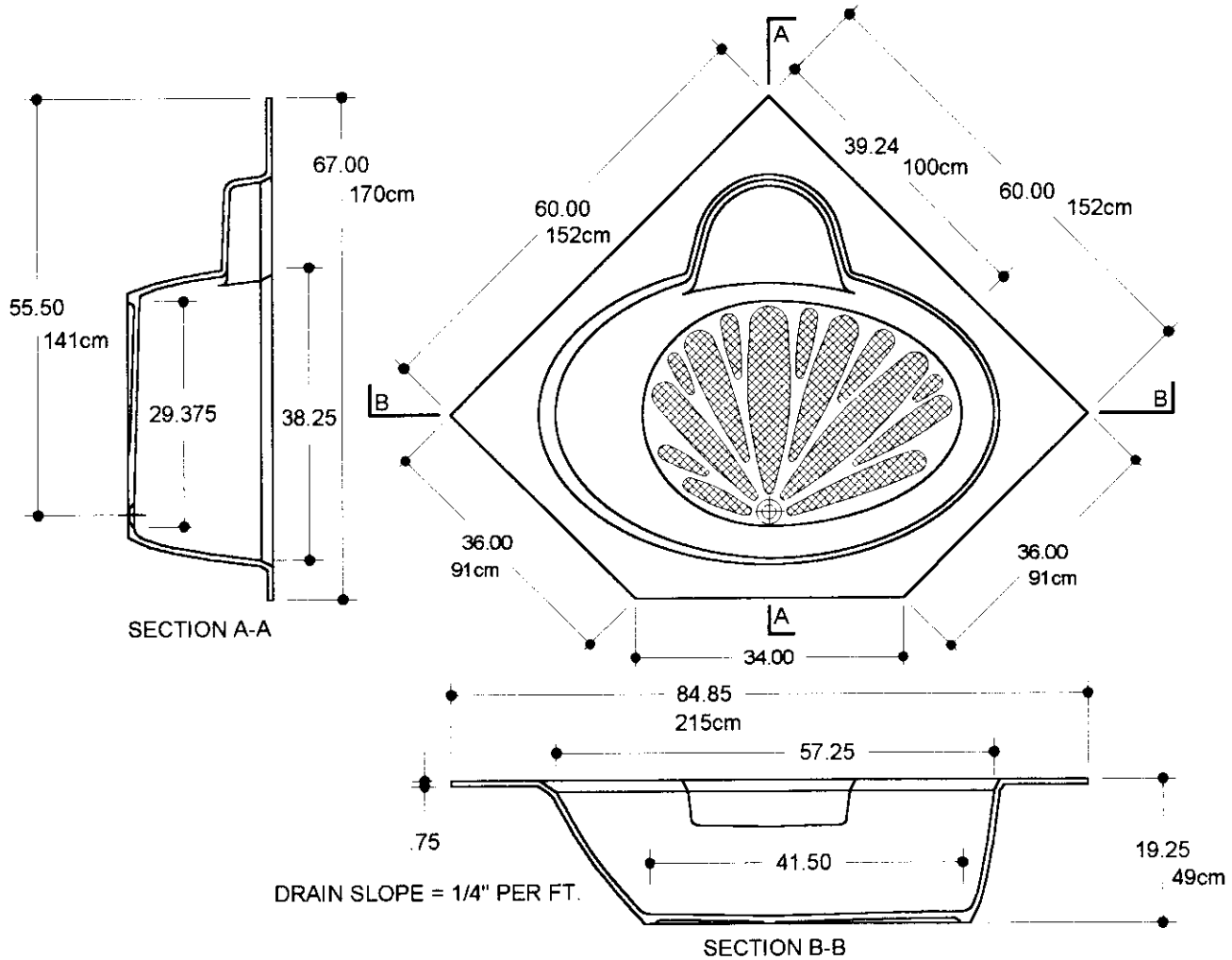


MALE	29080TR	TUB RIGHT MALE		CAST WEIGHT
FEMALE	490808TR	TUB-F ONE PIECE		SCALE 1/2" = 1'0"
INSERT	490803TR	TUB INSERT		DATE 4-17-92
NAME	CHRYSTAL COMBINATION - TUB RIGHT		©1992	REF. B-PD-K44

GRUBER SYSTEMS RESERVES THE RIGHT TO CHANGE THIS INFORMATION AT ANY TIME WITHOUT PRIOR NOTICE. ISSUED BY GRUBER SYSTEMS INC., 25636 AVENUE STANFORD, VALENCIA, CA 91355, USA. COPYRIGHT 1995.



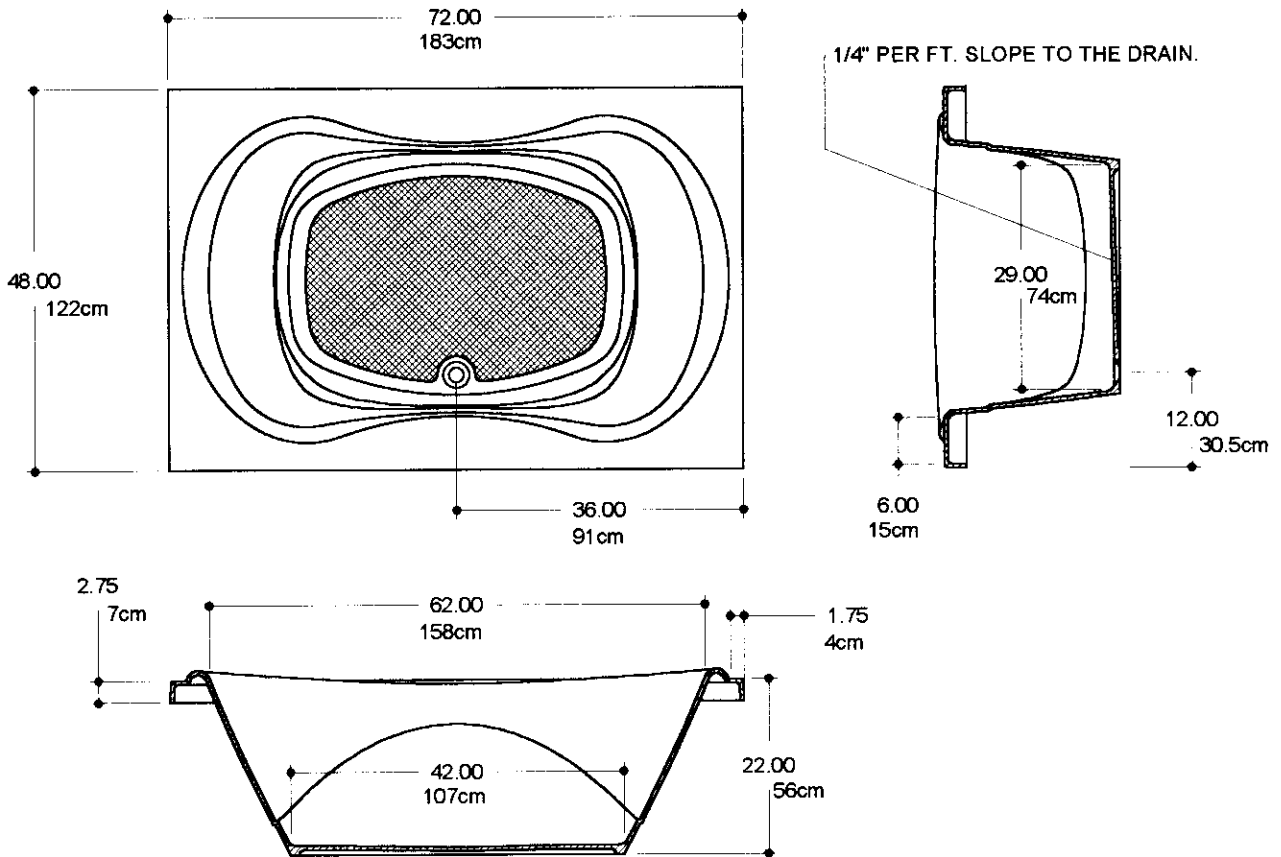
MOLD PART	CATALOG No.	DESCRIPTION
MALE	29049-M	MK 49 MALE
FEMALE	490498-M	F-MK 49 ONE PIECE (3/4") (2cm)
FEMALE	490499-M	ULFF-MK 49 ONE PIECE (1/2") (1.3cm)
INSERT	4904991	MK 49 INSERT
NAME	MK 49 BATHTUB 72" X 48" X 18 3/4" (183cm X 122cm X 48cm)	
CAST WEIGHT	SCALE 1/2" = 1' 0"	DATE 3-7-95
		PAGE No. T-43



MAJOR IMPERIAL DIMENSIONS ARE SHOWN WITH METRIC EQUIVALENTS. DETAIL CONVERSIONS WILL BE FOUND MULTIPLYING BY 2.54 AND EXPRESSED IN CENTIMETERS.

MOLD PART	CATALOG No.	DESCRIPTION
MALE	29050-M	MK 50 MALE
FEMALE	490508-M	F-MK 50 ONE PIECE 3/4"
INSERT	490503-M	F-MK 50 INSERT 3/4"
FEMALE	490509-M	ULFF MK 50 1/2"
INSERT	4905091-M	ULFF MK 50 INSERT 1/2"
NAME	MK 50 CORNER BATHTUB 60" X 60" X 36" NA (152cm X 152cm X 91cm)	
CAST WEIGHT	SCALE 1/2" = 1' 0"	DATE 7-17-95
		PAGE No. T-44

MK 51



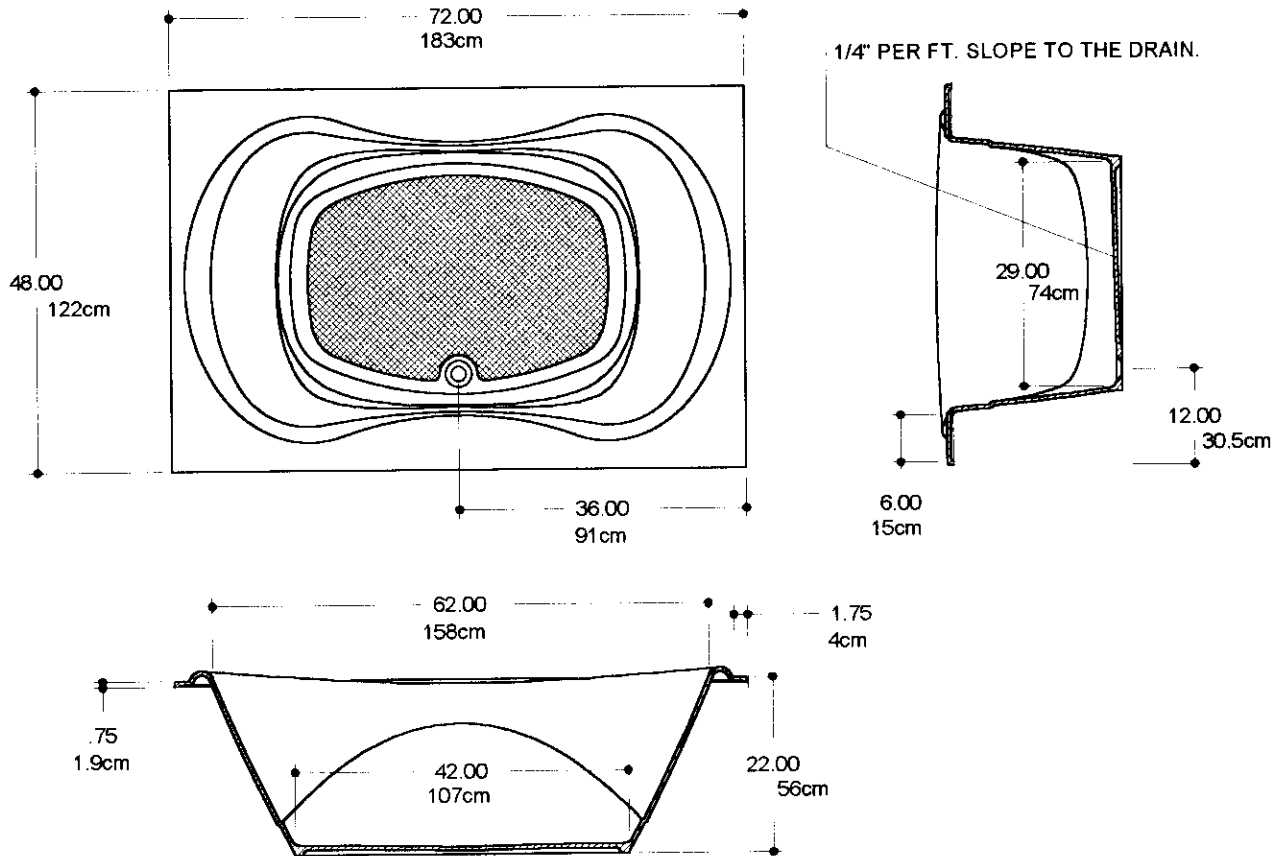
THE CAT. No. **29051 M** MK 51 SHOWN HERE, IN PLAN AND SECTIONS, IS A SELF-RIMMING BATHTUB SUITABLE FOR ISLAND TYPE INSTALLATION OR FOR SETTING INTO A LARGER DECK.

SEE PAGE No. 46 FOR A VARIATION OF THIS DESIGN (**MK 52** CAT. No. **29052 M**) IN WHICH THE SELF-RIMMING DECK IS REPLACED WITH A STANDARD 3/4" DECK MAKING IT INSTALLABLE BETWEEN OR AGAINST WALLS.

MOLD PART	CATALOG No.	DESCRIPTION
MALE	29051 M	META MK 51 48 X 72 X 22 (SELF-RIMMING)
FEMALE	490519 M	META ULFF MK 51 1/2" WALL
INSERT	4905191 M	META ULFF MK 51 INSERT
NAME	MK 51 BATHTUB 48" X 72" X 22" (122cm X 183cm X 56cm)	
CAST WEIGHT	SCALE 1/2 = 1' 0"	DATE 3-6-69 PAGE No. T-45

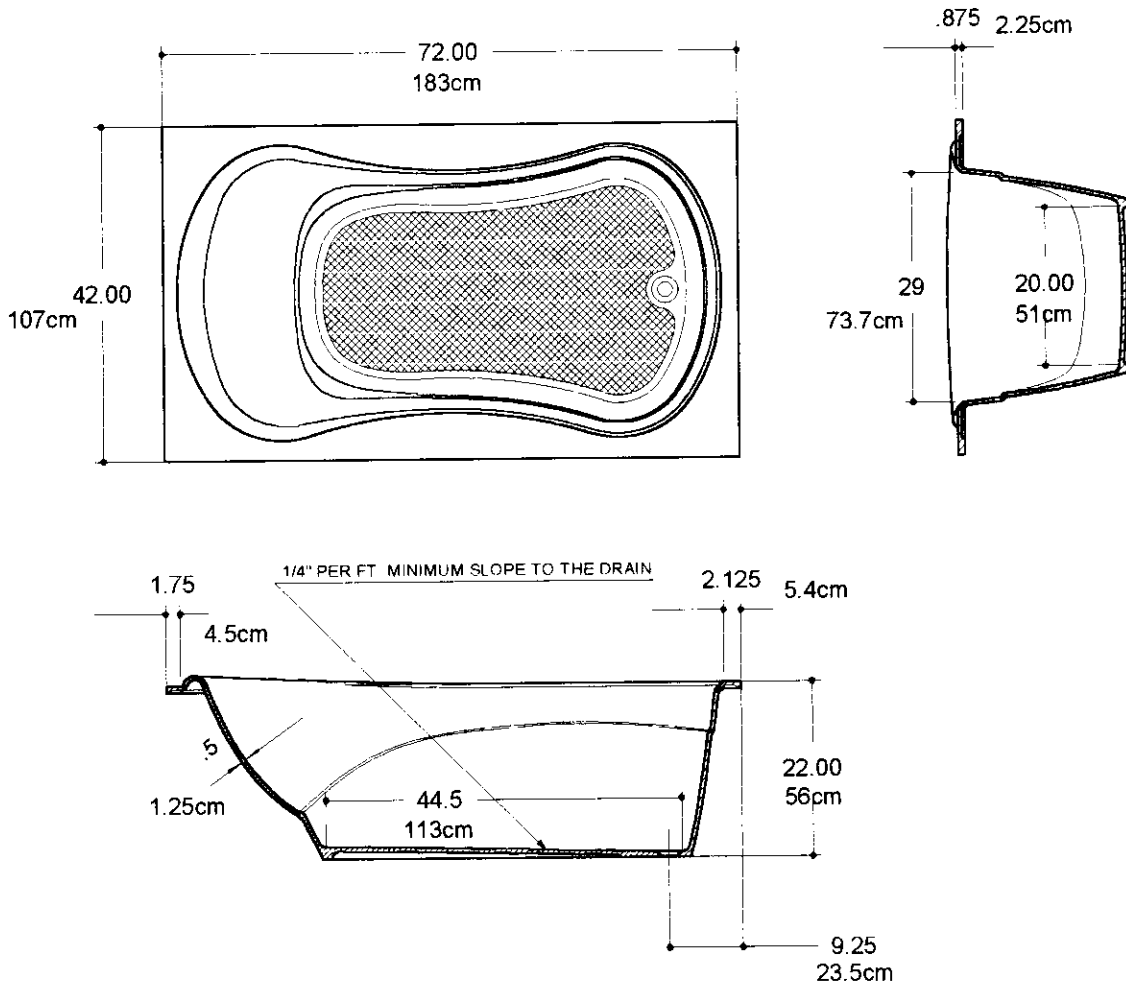
MK 52

PLEASE NOTE THAT THE MK 52 BATHTUB IS THE SAME AS THE MK 51 EXCEPT THE DECK IS A STANDARD 3/4". THE EXCEPTION IS SHOWN IN THE TWO SECTIONAL VIEWS BELOW.



MOLD PART	CATALOG No.	DESCRIPTION
MALE	29052 M	META MK 52 48 X 72 X 22
FEMALE	490529 M	META ULFF MK 52 1/2" WALL
INSERT	4905291 M	META ULFF MK 52 INSERT
NAME	MK 52 BATHTUB 48" X 72" X 22" (122cm X 183cm X 56cm)	
CAST WEIGHT	SCALE 1/2 = 1' 0"	DATE 3-6-69 PAGE No. T-46

MK53



THE MK 53 IS DESIGNED TO COMPLEMENT THE MKS 51 AND 52 AS A SINGLE BATHTUB VARIANT.

GRUBER SYSTEMS RESERVES THE RIGHT TO CHANGE THIS INFORMATION AT ANY TIME WITHOUT PRIOR NOTICE. ISSUED BY GRUBER SYSTEMS INC., 25638 AVENUE STANFORD, VALENCIA, CA 91355, USA. COPYRIGHT 1997.

MOLD PART	CATALOG No.	DESCRIPTION
MALE	29053 M	META MK 53 42 X 72 X 22
FEMALE	490538M	M-FFO MK 53
FEMALE	490539 M	META ULFF MK 53 1/2" WALL
INSERT	4905391 M	META ULFF MK 53 INSERT
NAME	MK 53 BATHTUB 42" X 72" X 22" (107cm X 183cm 56cm)	
CAST WEIGHT	SCALE 1/2" = 1' 0"	DATE 1-1-97
		PAGE No. T-47